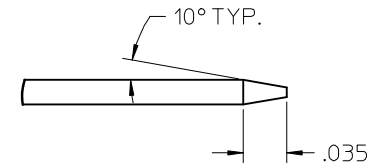
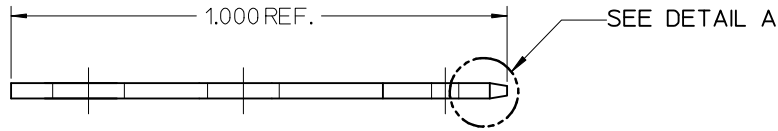
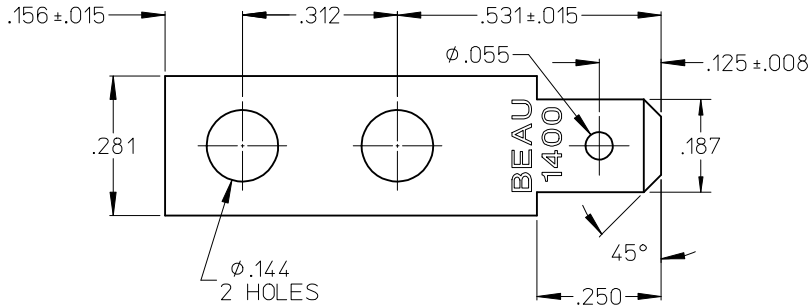


MATERIAL NO.	ENGINEERING NO.	DESCRIPTION	MATERIAL	FINISH
380020176	1413	TERMINAL, FAST-TAB, FLAT	BRASS	TIN OVER COPPER PLATED



DETAIL A  
SCALE 10:1

NOTES:  
1. PART IS ROHS COMPLIANT.

INITIAL RELEASE EC NO: WNA2009-0537 DRAWN: JENC INAS 2009/04/22 CHKD: CYORK 2009/05/11 APPR: JIMAGNE II 2009/05/12	QUALITY SYMBOLS	GENERAL TOLERANCES (UNLESS SPECIFIED)	DIMENSION STYLE	SCALE	DESIGN UNITS	THIRD ANGLE PROJECTION
	▼=0 ▽=0	mm INCH 4 PLACES ± --- ± --- 3 PLACES ± --- ± .005 2 PLACES ± --- ± .01 1 PLACE ± --- ± --- ANGULAR ± 2 °	INCH ONLY	4:1	INCH	☉ ▢ THIRD ANGLE PROJECTION
	DESCRIPTION	DRAFT WHERE APPLICABLE MUST REMAIN WITHIN DIMENSIONS	DRAWN BY DATE H. C. H. 1972/10/24 CHECKED BY DATE R. NEFF 1972/10/24 APPROVED BY DATE R. NEFF 1972/10/24	TITLE	TERMINAL, .187 FT, FL (CAT# 1413)	
	REV	SIZE	MATERIAL NO.	SEE CHART	DOCUMENT NO.	MOLEX INCORPORATED SD-38002-067 SHEET NO. 1 OF 1