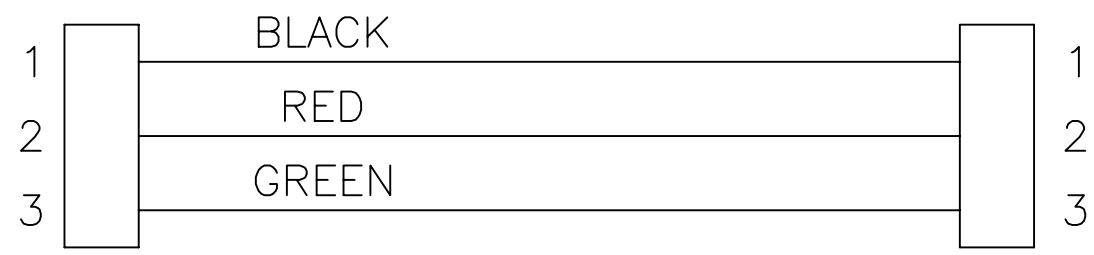
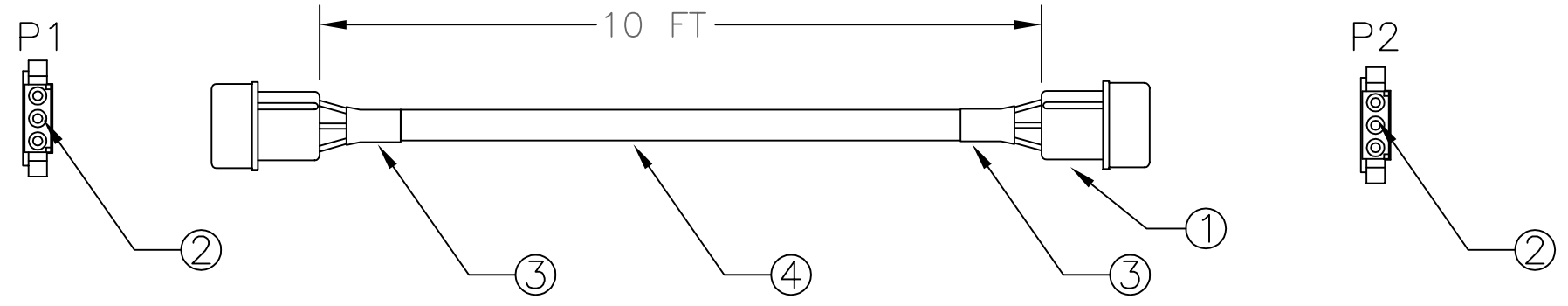


**FOR REFERENCE ONLY**

REVISIONS				
ECN#	REV	DESCRIPTION	DATE	BY
	A	INITIAL RELEASE	11/20/15	HC



NOTE:  
 1. ALL CONNECTOR CONTACTS PROVIDED WITH GOLD FINISH.

NO.	PART #	DESCRIPTION	QTY
4	311019-000	AUDIO CABLE 22/3 PVC JACKET	10.0 FT
3	302119-001	HEAT SHRINK TUBING	2.0
2	226007-009	PIN CONTACT 24-18AWG DEC GOLD FINISH	6.0
1	226001-001	CONNECTOR CAP DEC 3-CIR	1.0

UNLESS OTHERWISE SPECIFIED DIMENSIONS ARE IN INCHES TOLERANCES ARE: ANGLES      DECIMALS ± .5°        .XX ± .03 .XXX ± .010 DO NOT SCALE DRAWING	METAL NO. APPROVALS DRAWN      HC CHECKED APPROVED	SILK NO. DATE 11/20/15	<b>MARWAY</b> POWER SOLUTIONS 1721 S. GRAND AVE. SANTA ANA, CA 92705 PH: (714) 917-6200 FX: (714) 917-6253
APPLICATION DRAWING ASSY 400075-120G			SIZE    CAGE CODE    DWG NO.    REV B    60955    ASSY 400075-120G    A
PROPRIETARY NOTICE THE INFORMATION CONTAINED IN THIS DRAWING IS THE SOLE PROPERTY OF MARWAY POWER SOLUTIONS ANY REPRODUCTION IN PART OR AS A WHOLE WITHOUT THE WRITTEN PERMISSION OF MARWAY POWER SOLUTIONS IS STRICTLY PROHIBITED.			SCALE    COMPUTER FILE NO. NONE    ASSY 400075-120G REV A    SHEET 1 OF 1