

NOTES:

1. MATERIAL AND FINISH (PLATING THICKNESS IN MICRO-INCHES):

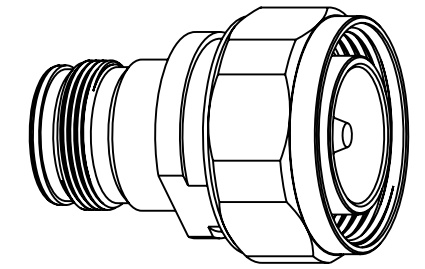
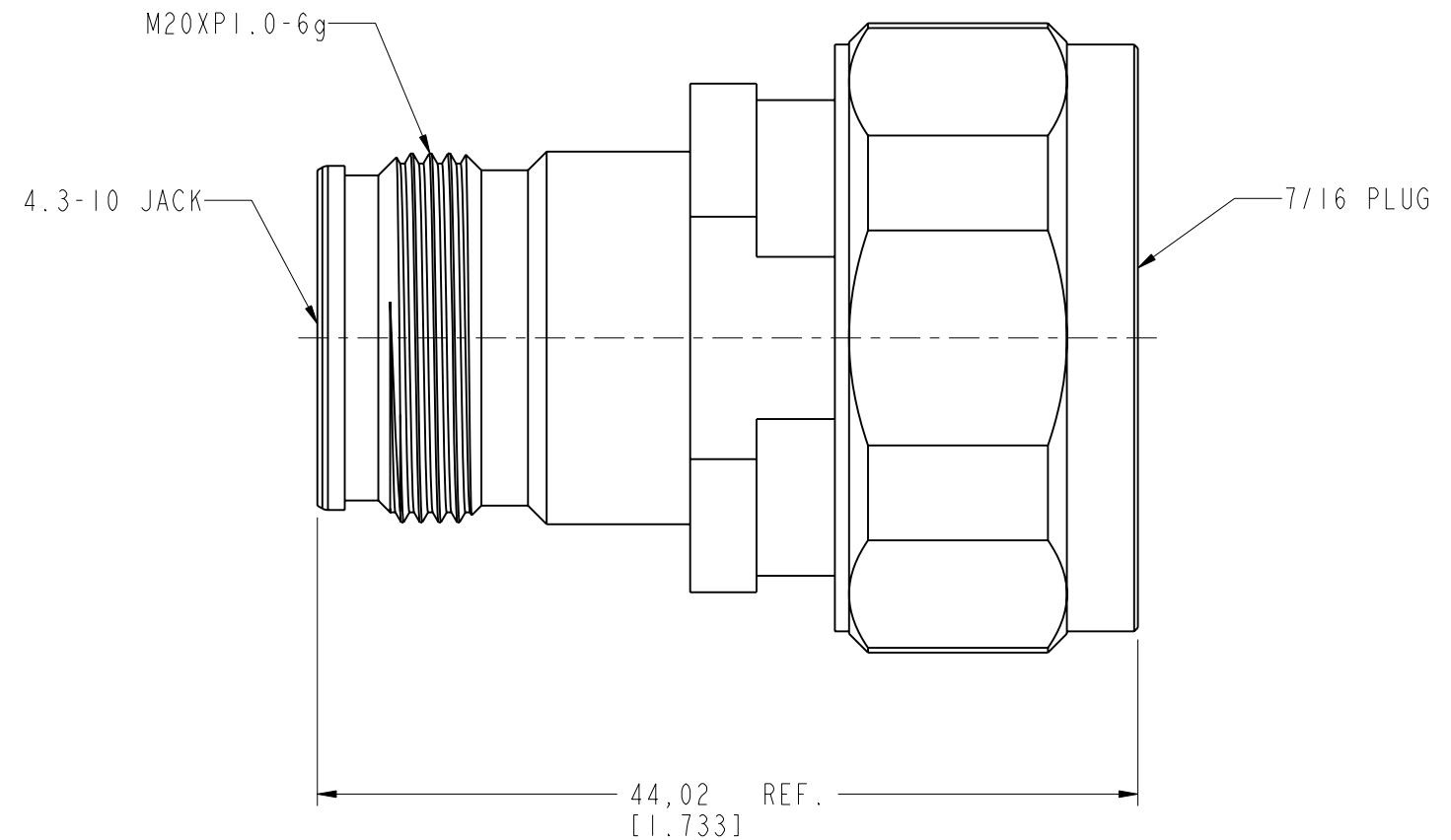
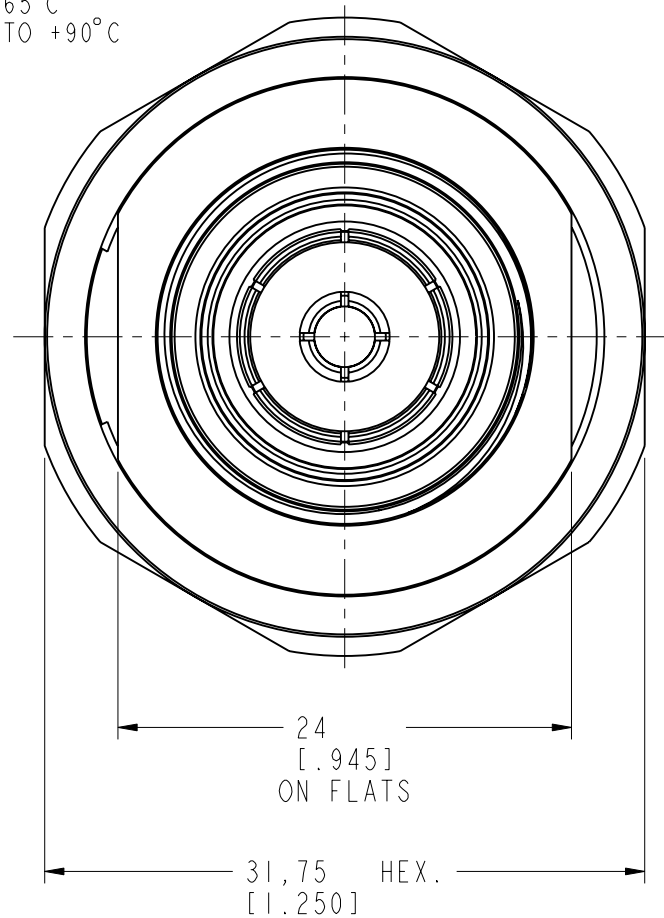
BODY - BRASS, WHITE BRONZE PLATING
 CONTACT - BERYLLIUM COPPER, SILVER PLATING
 INSULATOR - PTFE, NATURAL

2. ELECTRICAL:

- A. IMPEDANCE: 50 OHM
- B. FREQUENCY RANGE: DC-6 GHz
- C. RETURN LOSS: 1.05 MAX. @ DC-4GHz
1.1 MAX. @ 4-6 GHz
- D. INSERTION LOSS: $0.05 + 0.05 * \sqrt{f}$ dB
- E. INTERMODULATION 3RD ORDER: -166 dBc MAX. (2*43 dBm)
- F. D.W.V.: 2500 VRMS. MIN. 60 Hz
- G. INSULATION RESISTANCE: 5000 MΩ MIN.

3. MECHANICAL:

- A. DURABILITY: 100 CYCLES MIN. (4.3-10 SIDE)
500 CYCLES MIN. (7/16 SIDE)
- B. TEMPERATURE RANGE: -65°C TO +165°C
- C. OPERATING TEMPERATURE: -55°C TO +90°C



SCALE 1.000

THIRD ANGLE PROJ.

REVISIONS

REV	DESCRIPTION	DATE	ECO	APPR
A	RELEASE TO MFG.	26-Mar-16	00201	KCE
B	NOTE 3A 100 WAS 500 (4.3-10 SIDE)	1/9/17	02802	KCE

CUSTOMER OUTLINE DRAWING

ALL OTHER SHEETS ARE FOR INTERNAL USE ONLY

UNLESS OTHERWISE SPECIFIED, DIMENSIONS ARE IN METRIC AND TOLERANCES ARE: <0.5mm ±0.05mm 0.5 - 6mm ±0.1mm 6 - 30mm ±0.2mm 30 - 120mm ±0.3mm ANGLES ±1°	MATERIAL	DRAWN K. SONG	DATE 16-Jan-17	TITLE 7/16 PLUG TO 4.3-10 JACK ADAPTER	Amphenol RF www.amphenolrf.com
	NOTICE - These drawings, specifications, or other data (1) are, and remain the property of Amphenol corp. (2) must be returned upon request; and (3) are confidential and not to be disclosed to any person other than those to whom they are given by Amphenol Corp. the furnishing of these drawings, specifications, or other data by Amphenol Corp., or to any other person to anyone for any purpose is not to be regarded by implication or otherwise in any manner licensing, granting rights to permitting such holder or any other person to manufacture, use or sell any product, process or design, patented or otherwise, that may in any way be related to or disclosed by said drawings, specifications, or other data.	REFERENCE EAR#6396	ENGINEER H. HE		
	CONFIGURATION LEVEL: In Work	APPROVED S. HSIEH	DATE 17-Jan-17	SCALE: 2.5:1.0 SHEET 2 OF 2	DRAWING NO. 716M-4310F1-ATS-50
	FINISH	CAD FILE		DWG SIZE B REV B	ITEM NO. 07M-88F1-AB-5-F
					PART NO. AD-716P4310J-1