

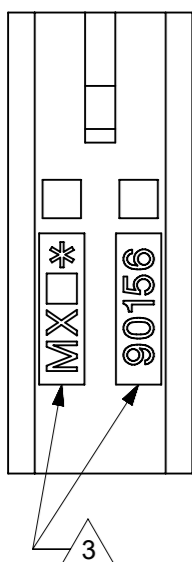
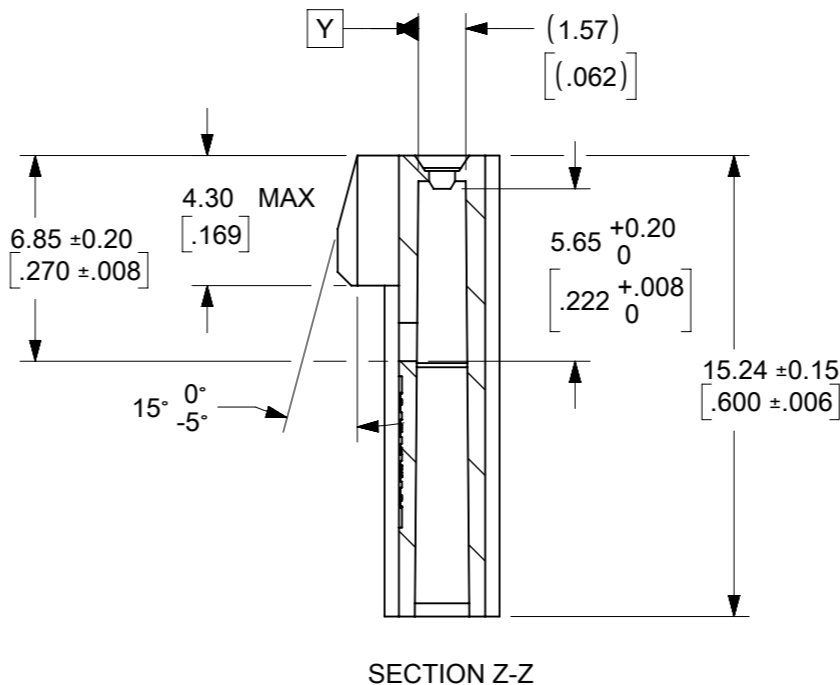
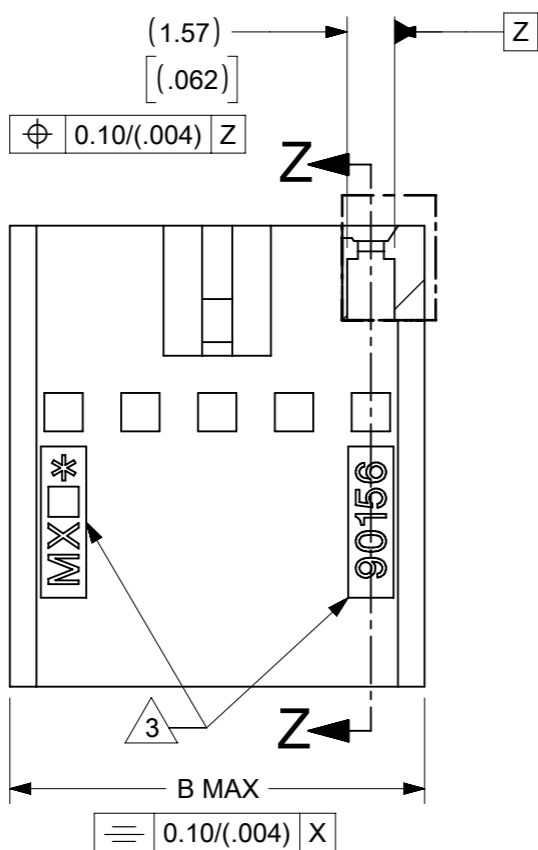
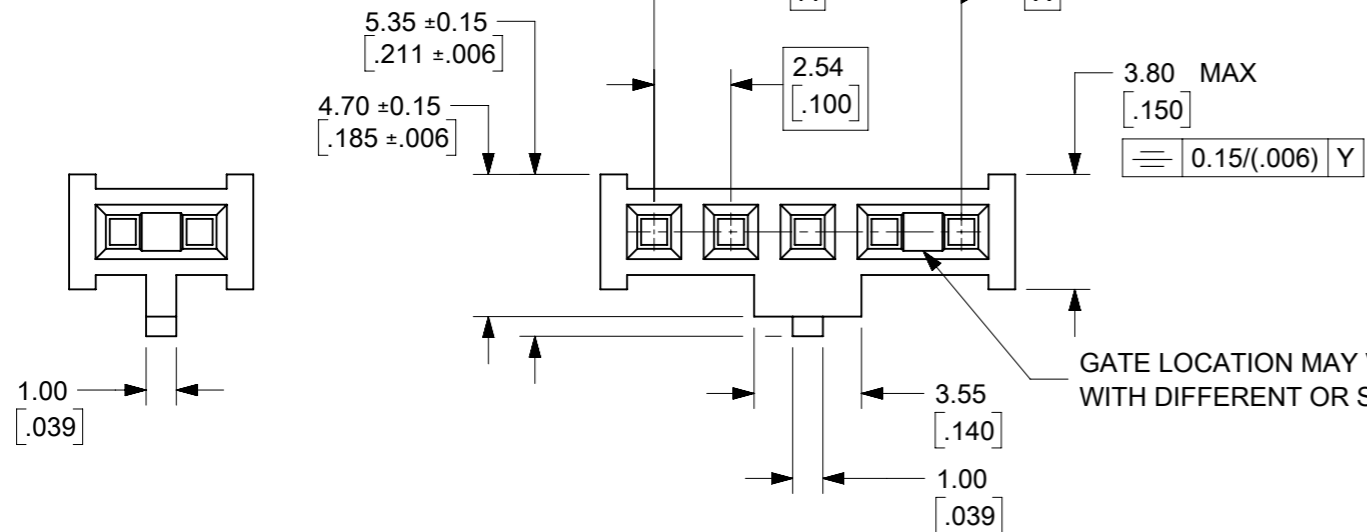
2 & 3  
CIRCUITS

4 TO 32  
CIRCUITS

PART NUMBER:  
90156-XXXX

CIRCUIT SIZE  
REF.NO  
(SEE CHART)

MATERIAL CODE:  
SEE NOTE 1



NOTES:

- MATERIAL CODE XX: 90156 - XX \*\* :  
01 - POLYPHENYLENE OXIDE (PPO) UL94 V-1 COLOR: BLACK  
10 - GLOW WIRE OPTION POLYESTER (PBT) UL94 V-2 COLOR: NATURAL
- PRODUCT SPECIFICATION: PS-99020-0001
- MOLEX LOGO, SERIES NUMBER AND CAVITY ID TO BE PLACED ON THIS FACE.

No. OF CKTS	PART NUMBER	DIM A	DIM B
2	90156-XX42	2.54/(.100)	6.14/(.242)
3	▲ -XX43	5.08/(.200)	8.68/(.342)
4	-XX44	7.62/(.300)	11.22/(.442)
5	-XX45	10.16/(.400)	13.76/(.542)
6	-XX46	12.70/(.500)	16.30/(.642)
7	-XX47	15.24/(.600)	18.84/(.742)
8	-XX48	17.78/(.700)	21.38/(.842)
9	-XX49	20.32/(.800)	23.92/(.942)
10	-XX50	22.86/(.900)	26.46/(1.042)
11			
12	-XX52	27.94/(1.100)	31.54/(1.242)
13	-XX53	30.48/(1.200)	34.08/(1.342)
14	-XX54	33.02/(1.300)	36.62/(1.442)
15	-XX55	35.56/(1.400)	39.16/(1.542)
16	-XX56	38.10/(1.500)	41.70/(1.642)
17			
18	-XX58	43.18/(1.700)	46.78/(1.842)
19			
20	-XX60	48.26/(1.900)	51.86/(2.042)
21			
22	-XX62	53.34/(2.100)	56.94/(2.242)
23			
24			
25	-XX65	60.96/(2.400)	64.56/(2.542)
26			
27			
28			
29			
30	-XX70	73.66/(2.900)	77.26/(3.042)
31			
32	90156-XX72	78.74/(3.100)	82.34/(3.242)

FUNCTIONAL SYMBOLS		THIS DRAWING CONTAINS INFORMATION THAT IS PROPRIETARY TO MOLEX ELECTRONIC TECHNOLOGIES, LLC AND SHOULD NOT BE USED WITHOUT WRITTEN PERMISSION		CURRENT REV DESC:			
DIMENSION UNITS		SCALE		EC NO: 742393			
GENERAL TOLERANCES (UNLESS SPECIFIED)		MM		INCH		C GRID III SINGLE ROW CRIMP CONNECTOR HOUSING	
DIVISIONAL SYMBOLS		4 PLACES ±		± 0.004		PRODUCT CUSTOMER DRAWING	
		3 PLACES ±		± 0.2		DOCUMENT NUMBER	
		2 PLACES ±		± 2.0°		SDA-90156	
		1 PLACE ±		±		DOC TYPE	
		0 PLACES ±		±		DOC PART	
		ANGULAR TOL ± 2.0°				REVISION	
DRAFT WHERE APPLICABLE MUST REMAIN WITHIN DIMENSIONS		THIRD ANGLE PROJECTION		DRAWING		SHEET NUMBER	
		A3-SIZE		SERIES		1 OF 1	
		90156		MATERIAL NUMBER		CUSTOMER	
		SEE TABLE		GENERAL MARKET			