

G-INS-M25-M68L-PEPDS-LG - Cable gland



1424516

<https://www.phoenixcontact.com/us/products/1424516>

Please be informed that the data shown in this PDF document is generated from our online catalog. Please find the complete data in the user documentation. Our general terms of use for downloads are valid.



Cable gland, material for screw connection: PA, external cable diameter 9 mm ... 17 mm, shielding: no, connecting thread: M25 x 1.5, color: lightgrey RAL 7035

Commercial data

Item number	1424516
Packing unit	1 pc
Minimum order quantity	5 pc
Sales key	BF68
Product key	BF7DCX
GTIN	4055626374215
Weight per piece (including packing)	24.54 g
Weight per piece (excluding packing)	17.88 g
Customs tariff number	39269097
Country of origin	DE

G-INS-M25-M68L-PEPDS-LG - Cable gland

1424516

<https://www.phoenixcontact.com/us/products/1424516>

Technical data

Mounting

Assembly instructions	1) Mount screw connection support in the housing using the correct torque 2) Insert cable 3) Tighten union nut using the correct torque
-----------------------	---

Product properties

Product type	Full screw connection
No. of conductors	1
Manufacturer	WISKA
Manufacturer Designation	ESKV-L 25
Shielded	no
Execution of the strain relief	A

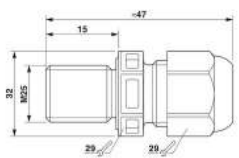
Ex data

Suited for EX-applications	No
----------------------------	----

Characteristics

Category of shock impact	4
Design, Strain relief	A

Dimensions

Dimensional drawing	
Length	43 mm
Length of the connecting thread	15 mm
Hole diameter	25.1 mm ... 25.2 mm
Wrench size, union nut	29 mm
Wrench size, support	29 mm
Hexagon angular dimension	32 mm
Thread type connection side	M25 x 1.5
Thread pitch	1.5 mm

Material specifications

Seal material Cable seal	EPDM
Material for screw connection	PA

Cable/line

External cable diameter (Cable 1)	9 mm ... 17 mm
External cable diameter ()	10.8 mm ... 15.8 mm (UL)

G-INS-M25-M68L-PEPDS-LG - Cable gland



1424516

<https://www.phoenixcontact.com/us/products/1424516>

Environmental and real-life conditions

Ambient conditions

Degree of protection	IP68 (5 bar / 0.5 h)
	IP69
Ambient temperature (operation)	-40 °C ... 100 °C (static)

G-INS-M25-M68L-PEPDS-LG - Cable gland

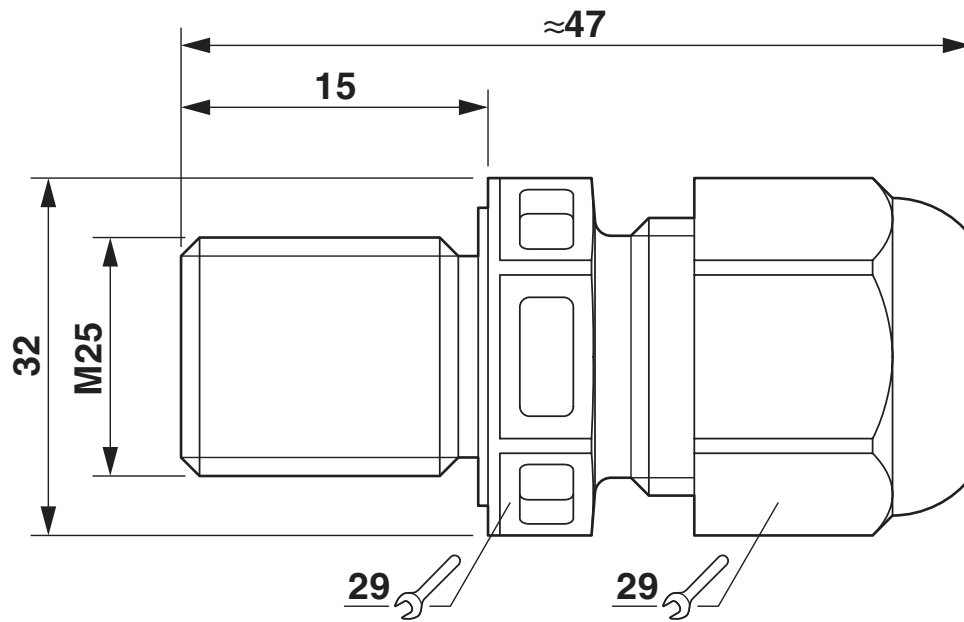


1424516

<https://www.phoenixcontact.com/us/products/1424516>

Drawings

Dimensional drawing



G-INS-M25-M68L-PEPDS-LG - Cable gland



1424516

<https://www.phoenixcontact.com/us/products/1424516>

Approvals

To download certificates, visit the product detail page: <https://www.phoenixcontact.com/us/products/1424516>



cUL Recognized

Approval ID: E179850



UL Recognized

Approval ID: E179850

cULus Recognized

G-INS-M25-M68L-PEPDS-LG - Cable gland



1424516

<https://www.phoenixcontact.com/us/products/1424516>

Classifications

ECLASS

ECLASS-11.0	27144432
ECLASS-12.0	27140801
ECLASS-13.0	27140801

ETIM

ETIM 8.0	EC000441
----------	----------

UNSPSC

UNSPSC 21.0	39121300
-------------	----------

G-INS-M25-M68L-PEPDS-LG - Cable gland



1424516

<https://www.phoenixcontact.com/us/products/1424516>

Environmental product compliance

China RoHS	Environmentally friendly use period: unlimited = EFUP-e
	No hazardous substances above threshold values

G-INS-M25-M68L-PEPDS-LG - Cable gland



1424516

<https://www.phoenixcontact.com/us/products/1424516>

Accessories

A-INL-M25-P-LG - Counter nut

1417661

<https://www.phoenixcontact.com/us/products/1417661>

Counter nut, for threads M25 x 1.5, color: light grey



SEALING PLUG 14X22 RD - Closing cap

1400270

<https://www.phoenixcontact.com/us/products/1400270>

Closing cap, for threads pluggable, color: red



Phoenix Contact 2023 © - all rights reserved

<https://www.phoenixcontact.com>

Phoenix Contact USA

586 Fulling Mill Road

Middletown, PA 17057, United States

(+717) 944-1300

info@phoenixcon.com