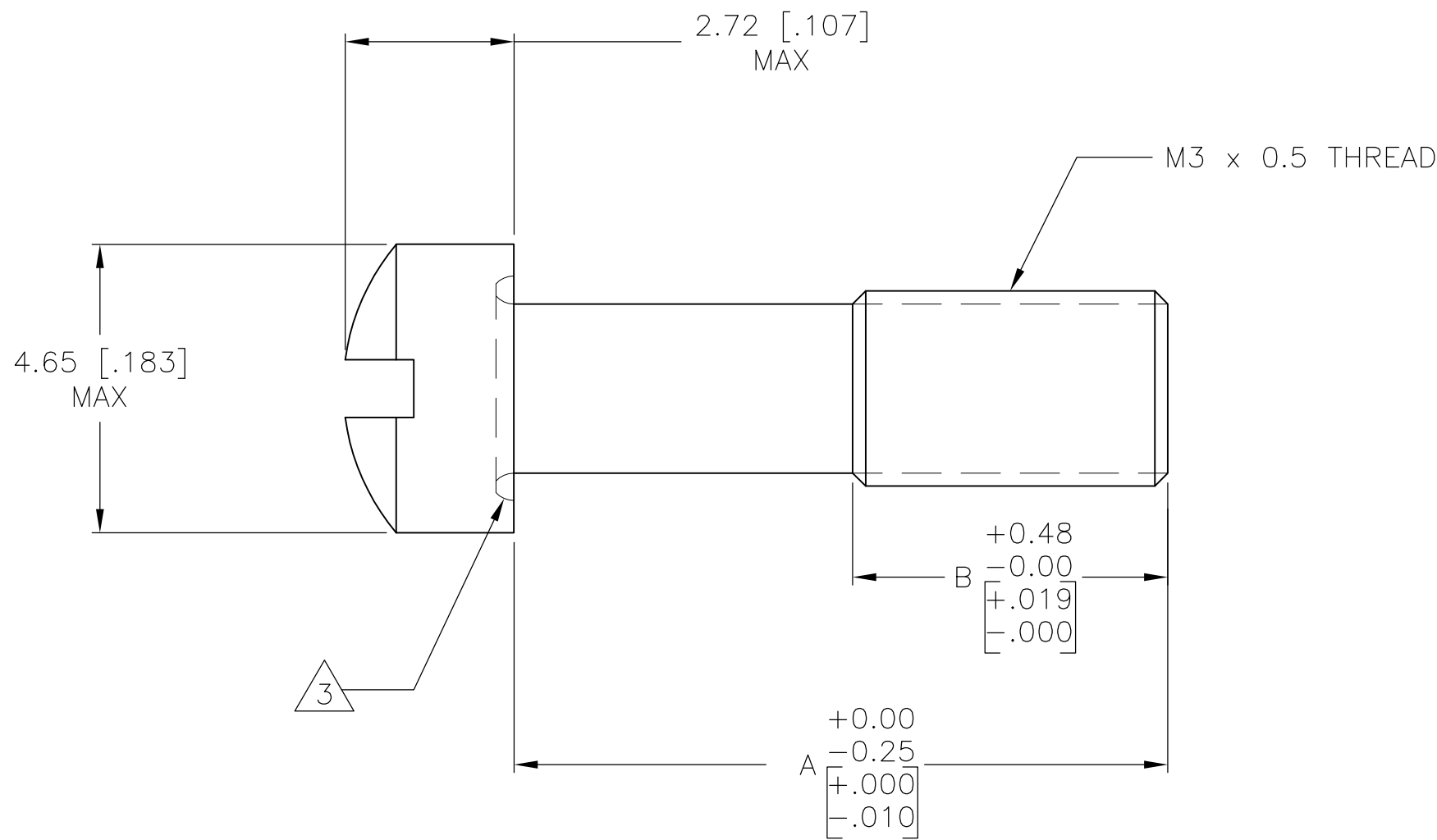


THIS DRAWING IS UNPUBLISHED. RELEASED FOR PUBLICATION
 © COPYRIGHT BY TYCO ELECTRONICS CORPORATION. ALL RIGHTS RESERVED.

LOC	DIST	REVISIONS					
GP	00	P	LTR	DESCRIPTION	DATE	DWN	APVD
			01	REVISED PER ECO-07-007540	21JUN07	JDP	CWR

- ① ZINC PLATED .000200-.000400 THICK, YELLOW CHROMATE COATING.
- ② ZINC PLATED .000200-.000400 THICK, CLEAR CHROMATE COATING.
- ③ UNDERCUT MAY OR MAY NOT BE PRESENT IN THIS AREA.



5.08 [.200]	10.54 [.415]	②	5207880-6
2.54 [.100]	5.84 [.230]	①	5207880-2
B	A	FINISH	PART NUMBER

THIS DRAWING IS A CONTROLLED DOCUMENT.		DWN R.RICHARDSON 23JUN05	Tyco Electronics Corporation Harrisburg, PA 17105-3608													
DIMENSIONS: mm [INCHES]		CHK C.ROHDE 23JUN05	NAME													
TOLERANCES UNLESS OTHERWISE SPECIFIED:		APVD M.WALMSLEY 23JUN05	SCREW, FILLISTER HEAD, METRIC, AMPLIMITE													
<table border="0"> <tr><td>0 PLC</td><td>± -</td></tr> <tr><td>1 PLC</td><td>± -</td></tr> <tr><td>2 PLC</td><td>± -</td></tr> <tr><td>3 PLC</td><td>± -</td></tr> <tr><td>4 PLC</td><td>± -</td></tr> <tr><td>ANGLES</td><td>± -</td></tr> </table>		0 PLC	± -	1 PLC	± -	2 PLC	± -	3 PLC	± -	4 PLC	± -	ANGLES	± -	PRODUCT SPEC	SIZE	CAGE CODE
0 PLC	± -															
1 PLC	± -															
2 PLC	± -															
3 PLC	± -															
4 PLC	± -															
ANGLES	± -															
MATERIAL COLD ROLLED STEEL		FINISH SEE TABLE	—	A300779												
		APPLICATION SPEC	DRAWING NO	RESTRICTED TO												
		WEIGHT	—	—												
		CUSTOMER DRAWING		SCALE 10:1												
				SHEET 1 OF 1												
				REV 01												