

THIS DRAWING IS UNPUBLISHED.

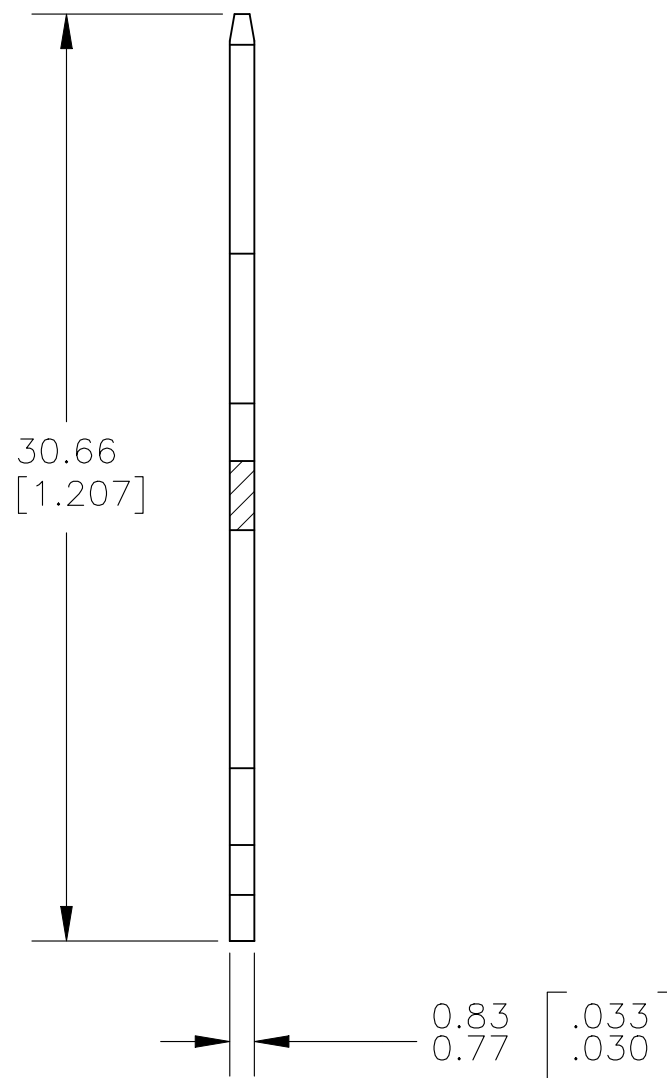
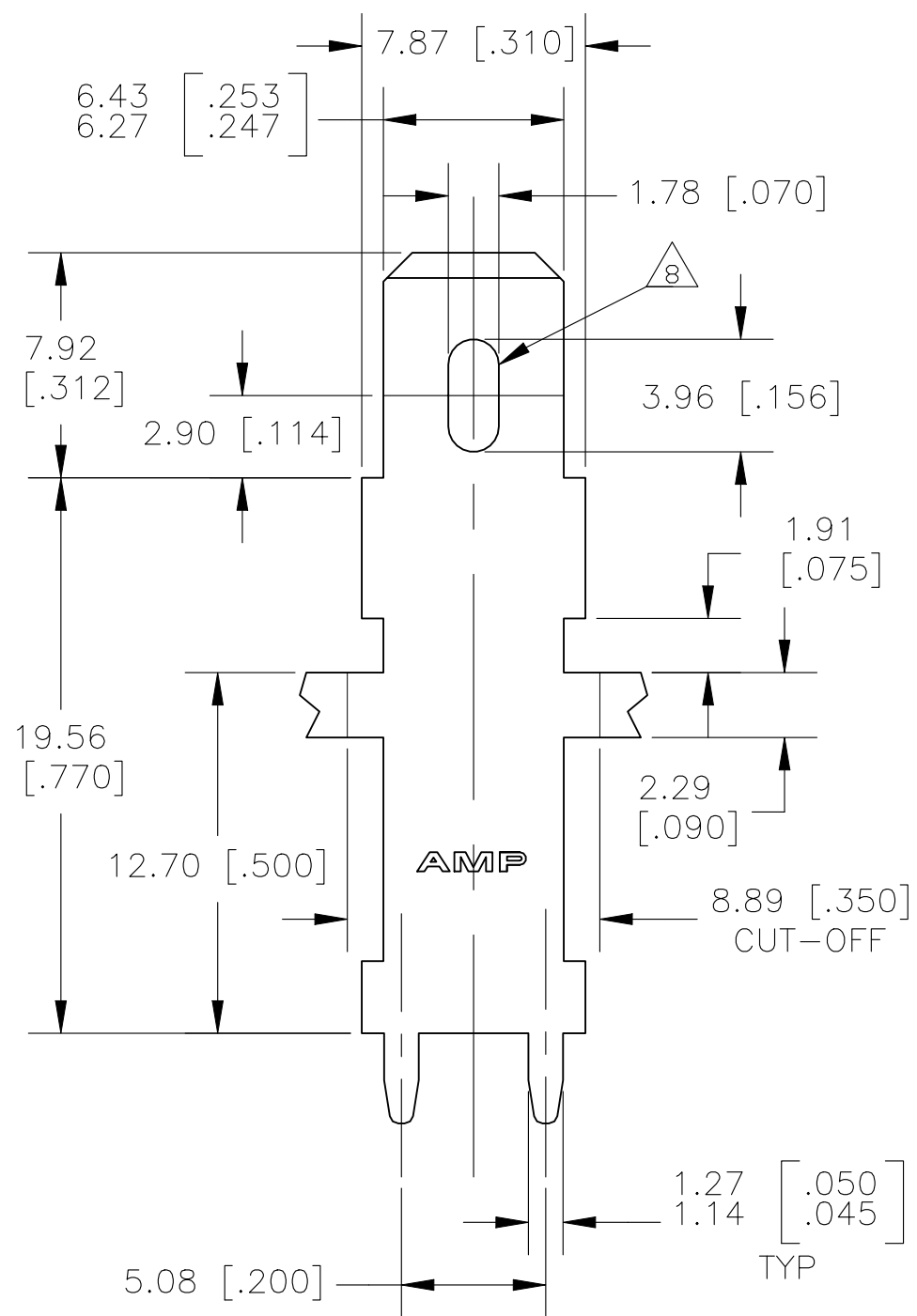
RELEASED FOR PUBLICATION

ALL RIGHTS RESERVED.

© COPYRIGHT - By -


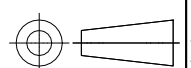
REVISIONS

P	LTR	DESCRIPTION	DATE	DWN	APVD
	H3	REVISED PER ECR-21-100983	19MAR2021	PC	AF
	H4	REVISED PER ECR-21-104641	18AUG2021	BDA	AF



- 1 CONTINUOUS STRIP ON REELS.
- 2 FEED IS 8.89±0.076 [.350±.003].
- 3 0.00381 [.000150] MIN TIN OVER 0.00127 [.000050] MIN NICKEL.
- 4 REELED WITH INTERLEAVING PAPER.
- 5 PRELIMINARY - NOT FOR PRODUCTION.
- 6 LOOSE PIECE STYLE.
- 7 PRE PRODCUTION,FASR NEEDED.
- 8 HOLE IS REMOVED FOR PART NUMBER 63950-6.
- 9 TERMINAL UNMATING MAY BE LOWER THAN UL 310 SPECIFICATION VALUES WITH SOME MATING FASTON RECEPTACLES DUE TO NO HOLE FEATURE BEING PRESENT.

8	9	BRASS	63950-6
	6	BRASS	63950-4
	4	BRASS	63950-3
		BRASS	63950-2
		BRASS	63950-1
		MATERIAL	PART NUMBER

THIS DRAWING IS A CONTROLLED DOCUMENT.		DWN JR RUTH 05DEC2000	 <b>TE Connectivity</b>				
DIMENSIONS: MM [INCHES]		CHK MS FEHER 05DEC2000					
TOLERANCES UNLESS OTHERWISE SPECIFIED:		APVD G PORTA 05DEC2000	NAME TAB, FASTON, P.C. BOARD, 6.35 [.250] SERIES				
 0 PLC ± - 1 PLC ± - 2 PLC ± 0.25 [.010] 3 PLC ± - 4 PLC ± - ANGLES ± -		PRODUCT SPEC -	APPLICATION SPEC 114-2115				
MATERIAL SEE TABLE		FINISH 3	WEIGHT -	SIZE A3	CAGE CODE 00779	DRAWING NO C-63950	RESTRICTED TO -
CUSTOMER DRAWING			SCALE 4:1	SHEET 1 OF 2	REV H4		

THIS DRAWING IS UNPUBLISHED.

RELEASED FOR PUBLICATION

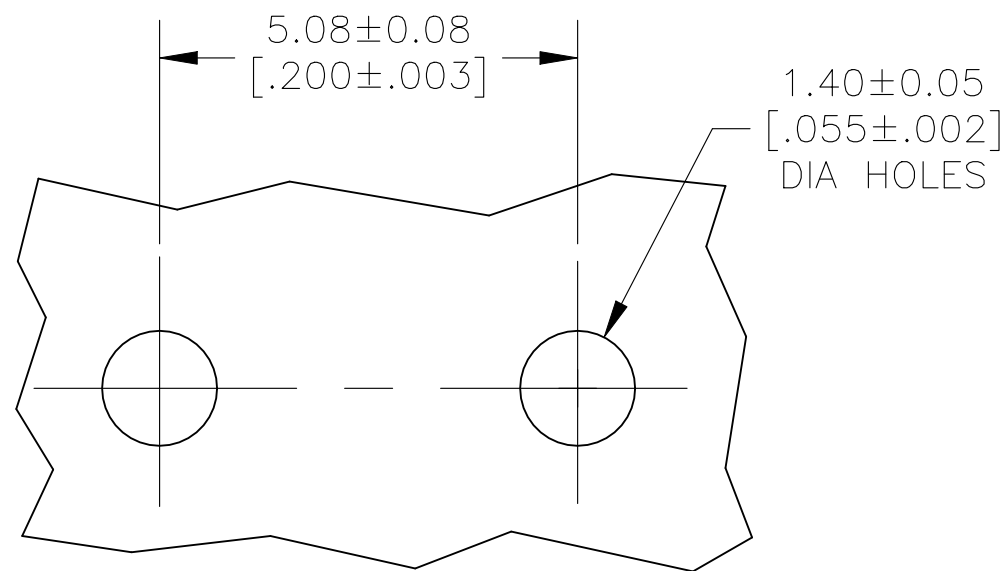
-. - .

REVISIONS


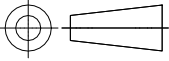
© COPYRIGHT - By -

ALL RIGHTS RESERVED.

P	LTR	DESCRIPTION	DATE	DWN	APVD
-	-	SEE SHEET 1	-	-	-



P.C.BOARD HOLES  
SCALE 10:1

THIS DRAWING IS A CONTROLLED DOCUMENT.		DWN JR RUTH 05DEC2000	 <b>TE Connectivity</b>				
DIMENSIONS: MM [INCHES]		CHK MS FEHER 05DEC2000					
		APVD G PORTA 05DEC2000	NAME TAB, FASTON, P.C. BOARD, 6.35 [.250] SERIES				
TOLERANCES UNLESS OTHERWISE SPECIFIED: 0 PLC ± - 1 PLC ± - 2 PLC ± 0.25 [.010] 3 PLC ± - 4 PLC ± - ANGLES ± -		PRODUCT SPEC -	APPLICATION SPEC 114-2115				
MATERIAL SEE TABLE		FINISH -	WEIGHT -	SIZE A3	CAGE CODE 00779	DRAWING NO C-63950	RESTRICTED TO -
CUSTOMER DRAWING			SCALE 4:1	SHEET 2 OF 2	REV H4		