

NOTES:

1. MATERIALS AND FINISHES:

- BODY - BRASS, NICKEL PLATING
- SHELL - BRASS, NICKEL PLATING
- BARREL - BRASS, NICKEL PLATING
- COVER - BRASS, NICKEL PLATING
- CONTACT BODY - BRASS, NICKEL PLATING
- CONTACT - BRASS, GOLD PLATING
- INSULATOR - PTFE, NATURAL
- GASKET - SILICONE RUBBER, RED
- RETAINING RING - SUS304, NATURAL
- RESISTOR - 50R

2. ELECTRICAL:

A. IMPEDANCE: 50 OHM

3. MECHANICAL:

- A. DURABILITY: 500 CYCLES MIN.
- B. TEMPERATURE RANGE: -65°C TO +165°C

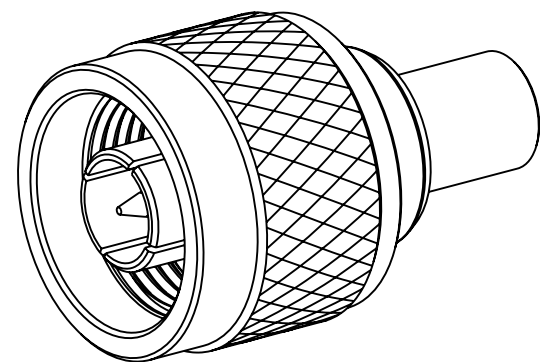
4. PACKAGING:

- A. QUANTITY: SINGLE PACK
- B. MARKING: BAG TO BE MARKED  
"AMPHENOL RF, 82-5722-RFX, AND DATE CODE"

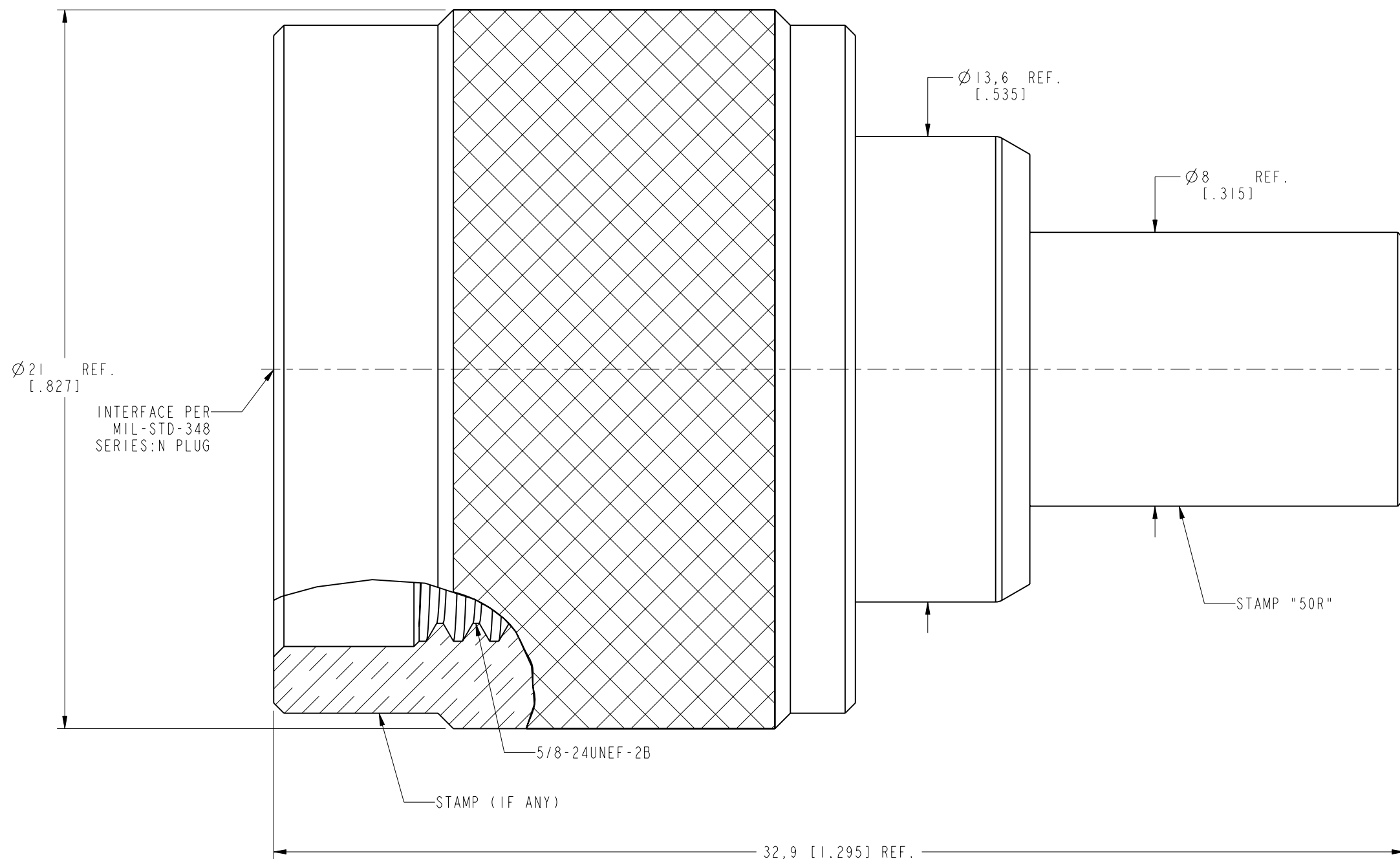
THIRD ANGLE PROJ.

REVISIONS

REV	DESCRIPTION	DATE	ECO	APPR
-	RELEASE TO MFG.	--	----	--
C	REDRAWN IN PRO-E & ASSEMBLY SHEET ADDED N/A	23-Apr-15	50409	HHE



SCALE 2.000



**CUSTOMER OUTLINE DRAWING**

ALL OTHER SHEETS ARE FOR INTERNAL USE ONLY

UNLESS OTHERWISE SPECIFIED, DIMENSIONS ARE IN INCHES AND TOLERANCES ARE: 2 PLACE DECIMAL 3 PLACE DECIMAL ANGLES ±.015 (0,381 mm) ±.005 (0,127 mm) ± 1°	MATERIAL	DRAWN	DATE	TITLE N STR TERMINATOR PLUG 50 OHM 1%, 1 WATT	Amphenol RF www.amphenolrf.com
	SEE NOTES	M. ZHANG	17-Apr-15		
NOTICE - These drawings, specifications, or other data (1) are, and remain the property of Amphenol corp. (2) must be returned upon request; and (3) are confidential and not to be disclosed to any person other than those to whom they are given by Amphenol Corp. the furnishing of these drawings, specifications, or other data by Amphenol Corp., or to any other person to anyone for any purpose is not to be regarded by implication or otherwise in any manner licensing, granting rights to permitting such holder or any other person to manufacture, use or sell any product, process or design, patented or otherwise, that may in any way be related to or disclosed by said drawings, specifications, or other data.	REFERENCE	ENGINEER	DATE	SCALE: 7.0:1.0 SHEET 2 OF 2	DRAWING NO. NI004A1-NT3G-50R-0.01-1W
	EAR # 962370	T. AUBIN	21-Dec-98		DWG SIZE B REV C
	CONFIGURATION LEVEL: In Work	APPROVED	S. HSIEH	DATE	
FINISH		CAD FILE	17-Apr-15		