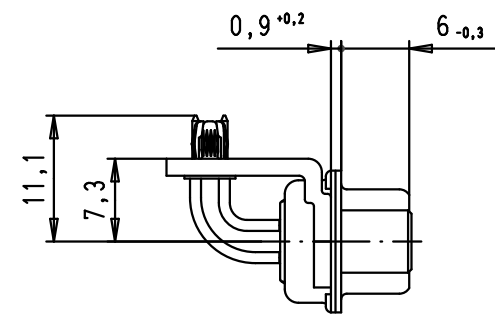
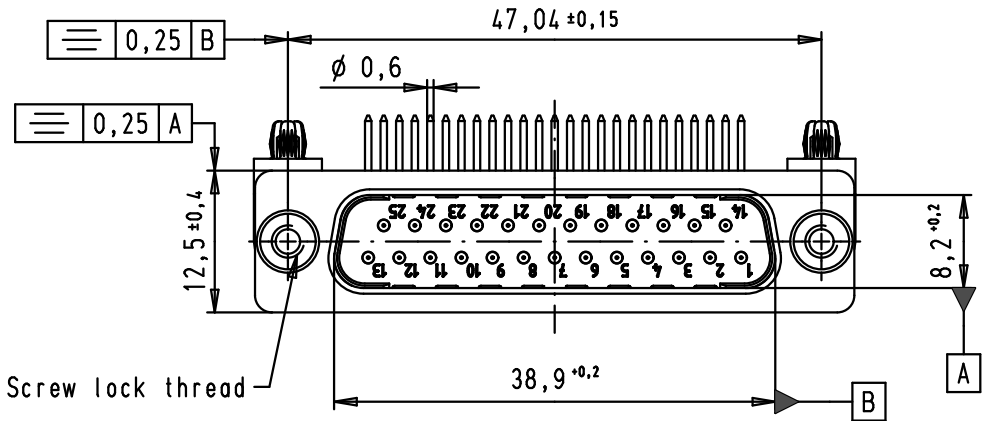


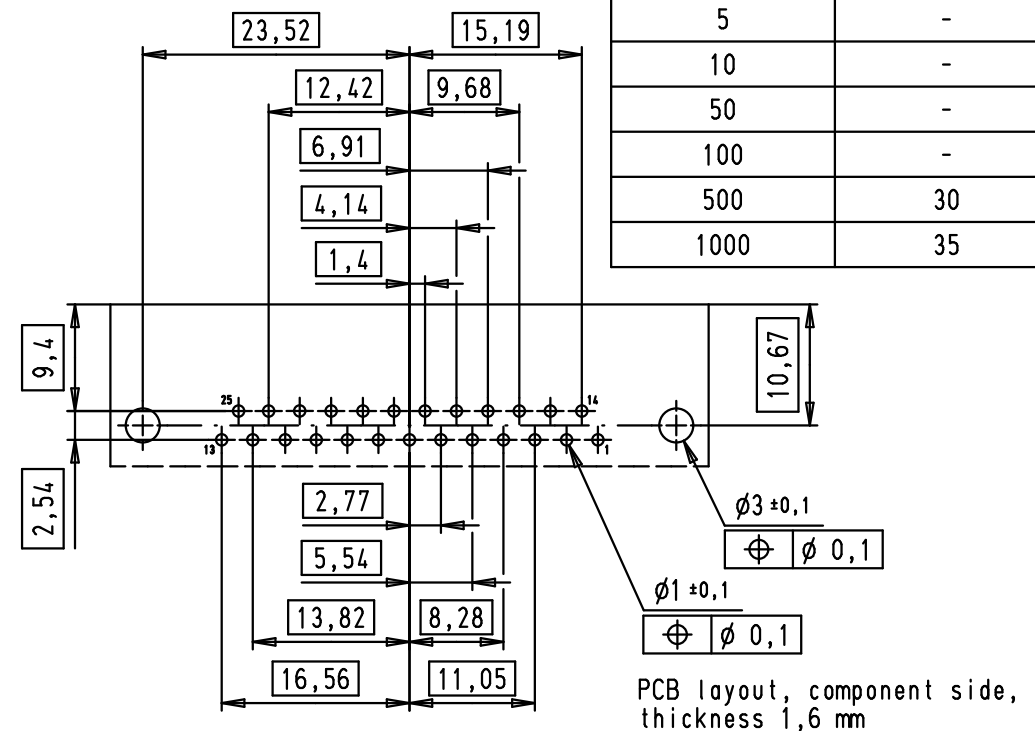
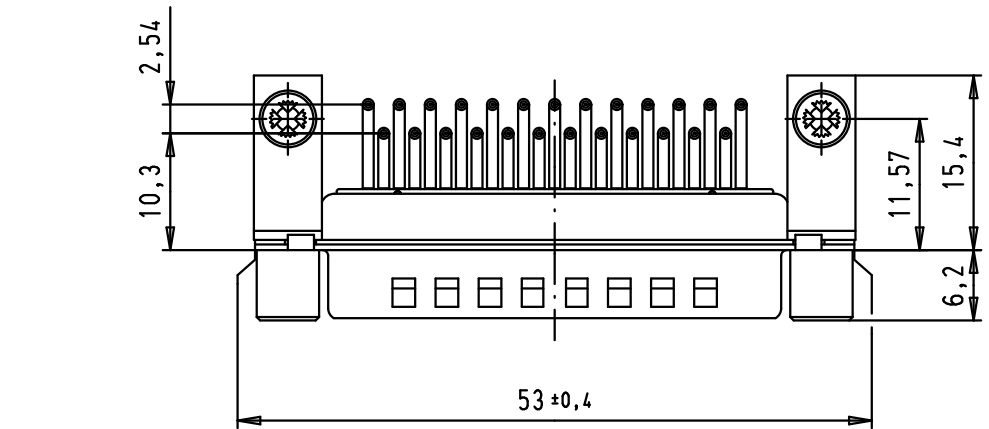
5 4 3 2 1



SPECIFICATIONS

Mating cycles	500
Filter type	C
Capacitance	47 pF±20%
Working voltage	100 V
Current rating	7,5 A
Insulation resistance	>1 GΩ

FREQUENCY (MHz)	ATTENUATION (dB)
5	-
10	-
50	-
100	-
500	30
1000	35



Mod.	Dot.	Name
EC01003	25/11/09	PK
33793	31/07/06	PK
31058	08/07/02	CV

Detail.	Dot.	Name
	08/07/02	CV
Insp.		
Stand.		

HARTING EURL
F-95972 Paris

D-Sub, male, angled, 25 poles, turned solder pins, screw locks and brackets with board locks

All Dim. in mm
Orig. Size DIN A 4

TB 09 64 324 721X

Sub.

Maßstab/Scale: 1,5:1
Blatt/Page: 2/4

09 64 324 7215	M3
09 64 324 7214	4-40 UNC-2B
Part number	Screw lock thread

D
C
B
A