

S12-275VPD-RGP21

Digital Ferrous Metal Detection Sensor

- Ferrous Metal Hall Proximity Sensor
- .375" detection gap
- Regulated input, 0-5V output
- Stainless 12x1mm x 35mm housing
- Free end PVC 22 AWG wires 1 foot



CUSTOMER FOCUSED ENGINEERING + MODULAR DESIGN

Part Description: **S12-275VPD-RGP21**

Housing	Sensor Type & Function	Electrical Option	Connection Type
S = Stainless Steel, Thread Pitch M12x1, 35mm Long	Digital Ferrous Metal Proximity Sensor	Regulated Input 0-5V Digital Output	P21 = Free End PVC 22AWG Wires

Modify, update, or enhance any sensor with our modular features and functionality.

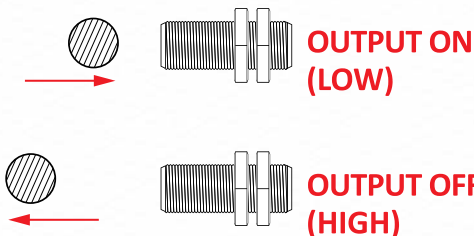
HOUSING - Aluminum, stainless steel, plastic, threaded, flange mount, customer specific

ELECTRICAL - Every sensor function available in various electrical options (NPN, PNP, TTL, etc.)

CONNECTION - Deutsch, Amphenol, many other brands, free end wires, pigtails, any length

Need a Custom Sensor Solution?... Send us your application specific requirements at sensorso.com

'Digital Output switches on when Ferrous Metal is present'



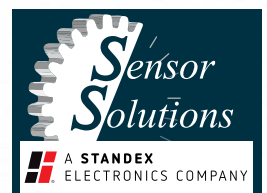
Type - DP

DESCRIPTION

- Digital output turns on when ferrous metal is detected
- Programmed to detect a large steel target at 0.375"
- Target detection gap is dependent on shape/size/ferrous content.
- Custom programming available for precision repeatable detection of targets, contact Sensor Solutions.
- Provided lock nuts used to set air gap from target.

FEATURES

- True Zero Speed
- Large Detection Gap
- Internal Hysteresis
- Detects Through Aluminum



S12-275VPD-RGP21

Digital Ferrous Metal Detection Sensor

Note: Check our website or contact us for details on all our ferrous metal detection options.

Electrical Specifications	Conditions	Min	Max	Unit
Temperature Range*	Operating	-40	+110*	Deg C
Supply Voltage, Vcc	Over temperature	+8.0	+30	Volts DC
Supply Current, Output Off	Into Vcc	(typ 8)	+12	mA
Output Current	Continuous	-1	+1	mA
Load Capacitance	Cable and Load	n/a	+1.0	µF
Frequency Range **	Std Programmable	0	500	Hz
Frequency Range **	Max Programmable	0	2000	Hz
Digital Voltage Low Vol	I sink < 1.0 mA	0	(typ 0.2)	Volts
Digital Voltage High Voh	I source < 1.0 mA	4.60	5.5	Volts
Output Rise Time 10-90%	Ro=10k, C<100 pF	-	5	µS
Output Fall Time 90-10%	Ro=10k, C<100 pF	-	5	µS

* T max = 150°C is available, contact factory.

** Frequency, Detection and Hysteresis are Factory Programmable.

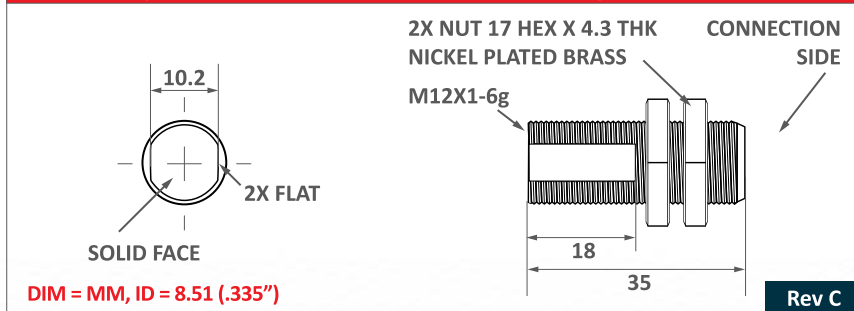
Rev D

Absolute Max Limits	Min	Max	Unit
Supply Voltage, Vcc	-24	+30	Volts DC
Voltage at Output	-5	+8.5	Volts
Reverse Supply Current	-	5.0	mA
Peak Output Current	-10	+10	mA
Vout Short Circuit Duration	-	10	Minutes

Environmental Specifications

Corrosion Resistance	500 hours salt spray ASTM B-117
Installation Torque	23 Foot-Pounds Maximum
Enclosure	Nema 1,3,4,6,13 & IEC IP67
Vibration	10 G's 2 to 2000 Hz Sinusodal
Mechanical Shock	100 G's, 11 mS Half-Sine

S12 Housing, 303 Stainless Steel, M12X1, 35mm Long



DIM = MM, ID = 8.51 (.335")

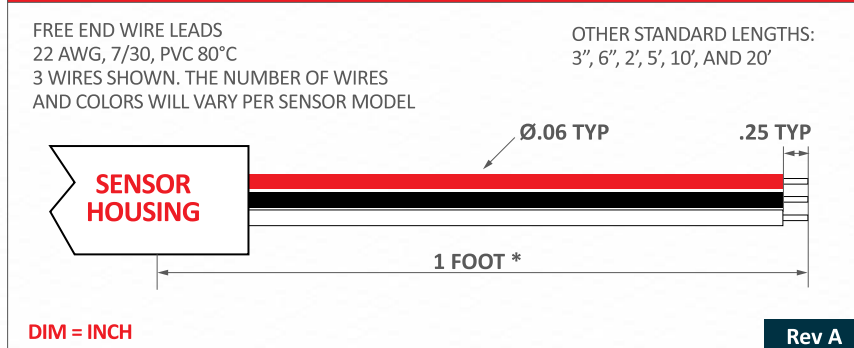
Rev C

Functional Characteristics @25°C

Functional Characteristics @25°C	Min	Typ	Max
<i>Sensor Programming + target ferrous content, shape, & size will affect gaps</i>			
Output State, No Target Present: Low (~0V)			
Detect Large Steel Target T=25C**	0.350"	0.375"	0.400"
Hysteresis, Large Steel Target T=25C**	.020"	.050"	.080"
Detect 0.5" ø Steel Target	-	.360"	-
Detect 0.1" ø Steel Target	-	.215"	-

** Frequency, Detection and Hysteresis are Factory Programmable and can be decreased upon request.

P21, Free End PVC 22 AWG Wires



DIM = INCH

Rev A

Connections Chart

Red	Vcc	White	Digital Vout
Black	Ground		

P21-275VPD

S12-275VPD-RGP21

Digital Ferrous Metal Detection Sensor

Sensor Function

ANY FERROUS TARGET

Air Gap

NO ORIENTATION REQUIRED

S12-275VPD

Date Code 'YYM' YY = YEAR, M = MONTH

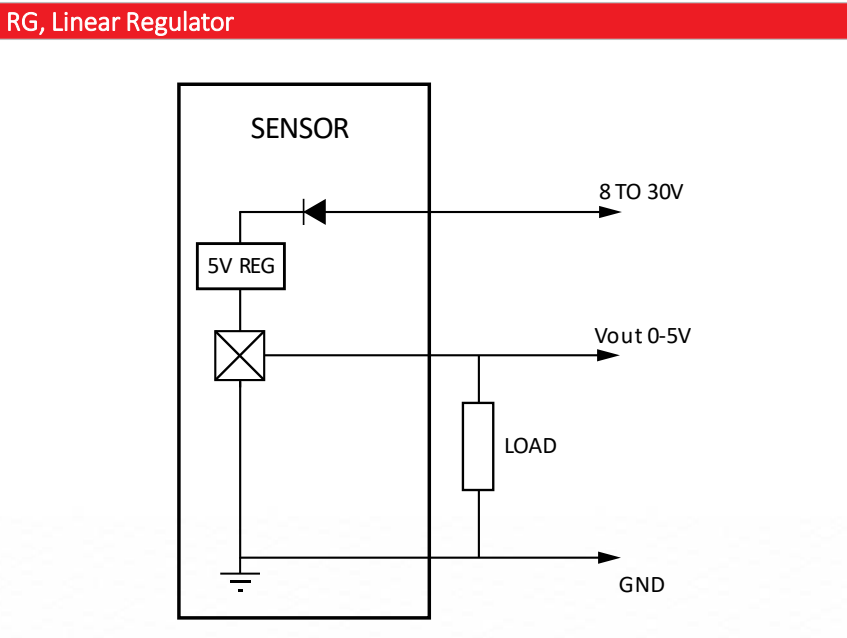
A JAN	D APR	H JUL	L OCT
B FEB	E MAY	J AUG	M NOV
C MAR	G JUN	K SEP	N DEC

Marking

DATE CODE, THIS SURFACE

275VPD-RG_yy 06A

CHARACTERISTIC-OPTION_PROGRAMMING MARKED ON THIS SURFACE yy = PROGRAM #



Handling Instructions

DO NOT CONTACT FACE TO FACE

CONTACT WITH OTHER MAGNETS MAY REDUCE THE MAXIMUM OPERATING GAP

Please note: All technical specifications on this series datasheet refer to the standard product range. Modifications in the sense of technical progress are reserved. For general information only. For more specific information, please consult the product datasheet, available upon request.

This series datasheet could contain technical inaccuracies or typographical errors. Changes are periodically made to the information herein. These change will be incorporated in future revisions.

For deviating values, most current specifications and products please contact your nearest sales office.