

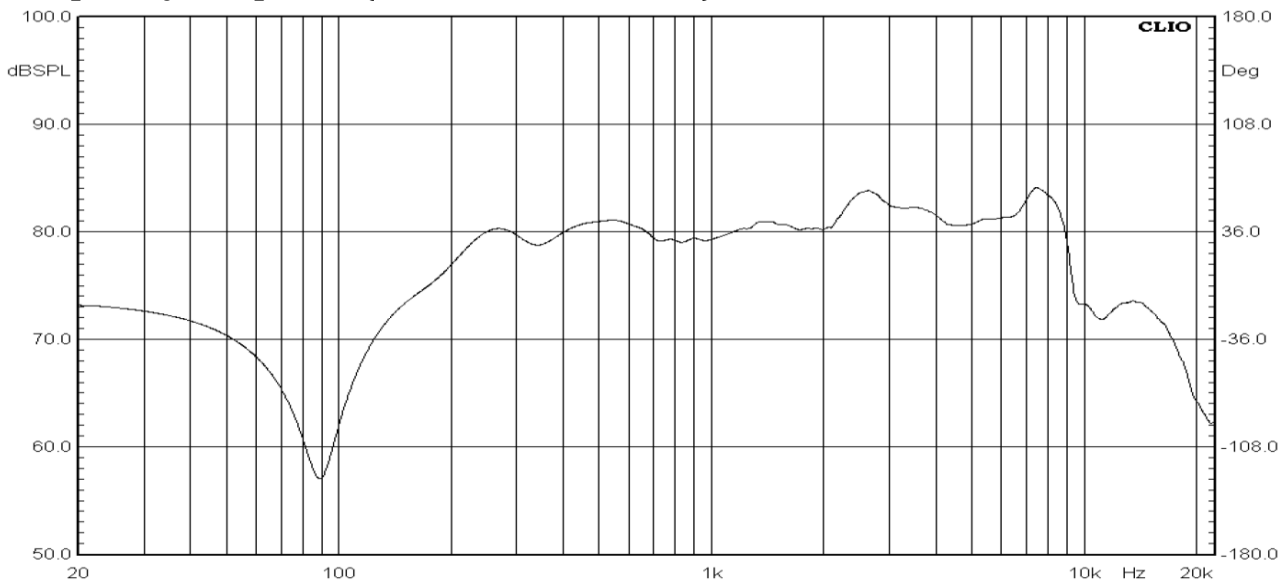
Data Sheet

AS09008PO-11-WR-R

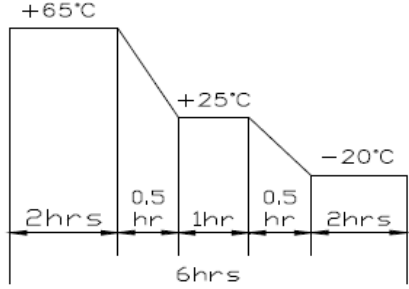
Specifications

Parameters	Values	Units
Rated Input Power	5	Watts
Max Input Power	8	Watts
Impedance	8 ± 15%	Ohms
Sensitivity (SPL @ 1W/50cm) At 0.8, 1.0, 1.2, 1.5 kHz	85 ± 3	dB
Resonant Frequency	180 ± 20%	Hz
Frequency Range	Fo ~ 10,000	Hz
Frame Material	Steel	-
Magnet Material	Ferrite	-
Weight	98	Grams
Buzz, Rattle, etc.	Must be normal at sine wave Fo- 20kHz, 6.32	-
Polarity	Cone will move forward with positive+ current to positive terminal	-
Storage Temperature	-20 ~ +65	°C
Operating Temperature	-20 ~ +65	°C

Frequency Response (measured with 2.83V @ 50cm)

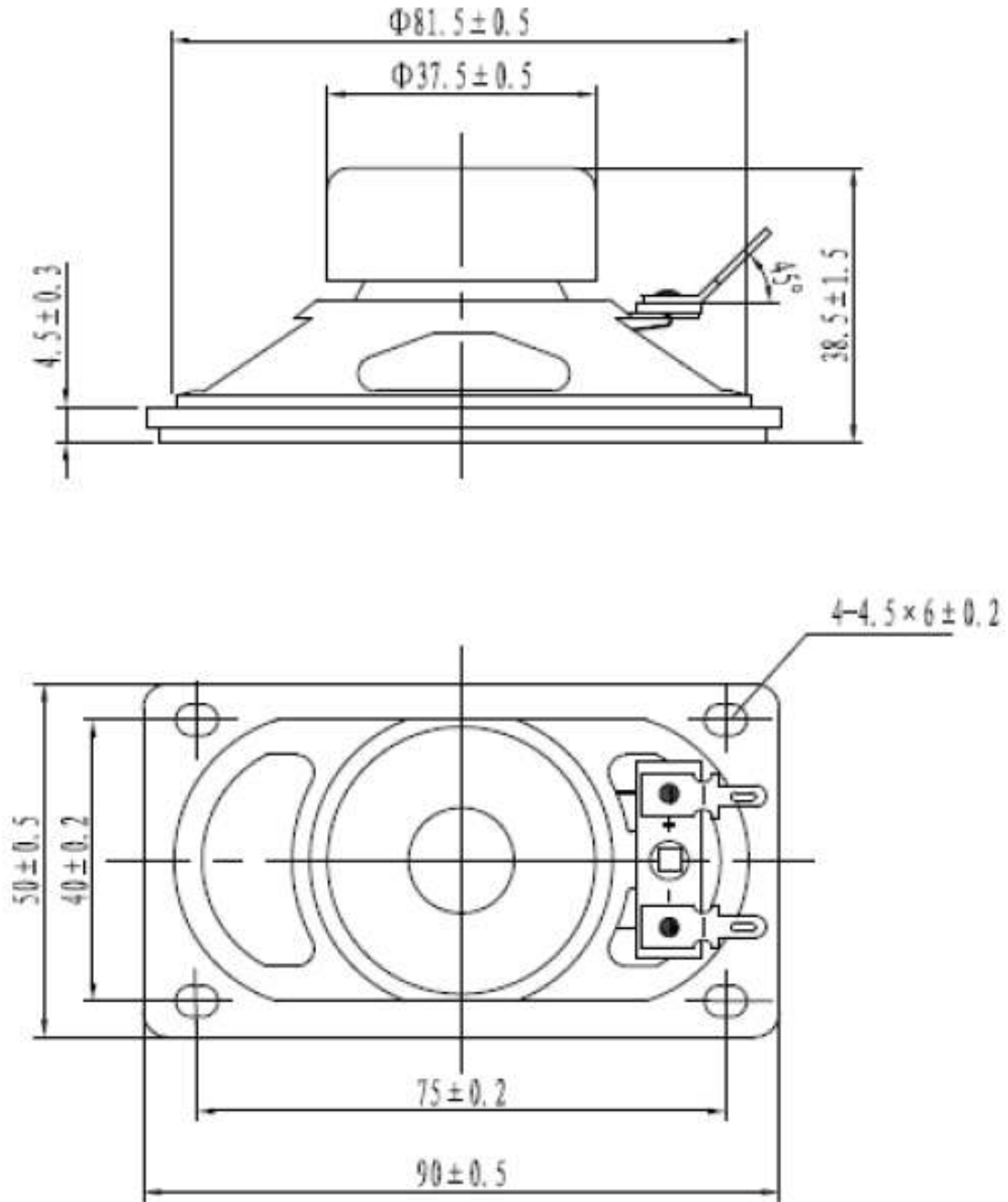


Reliability Testing

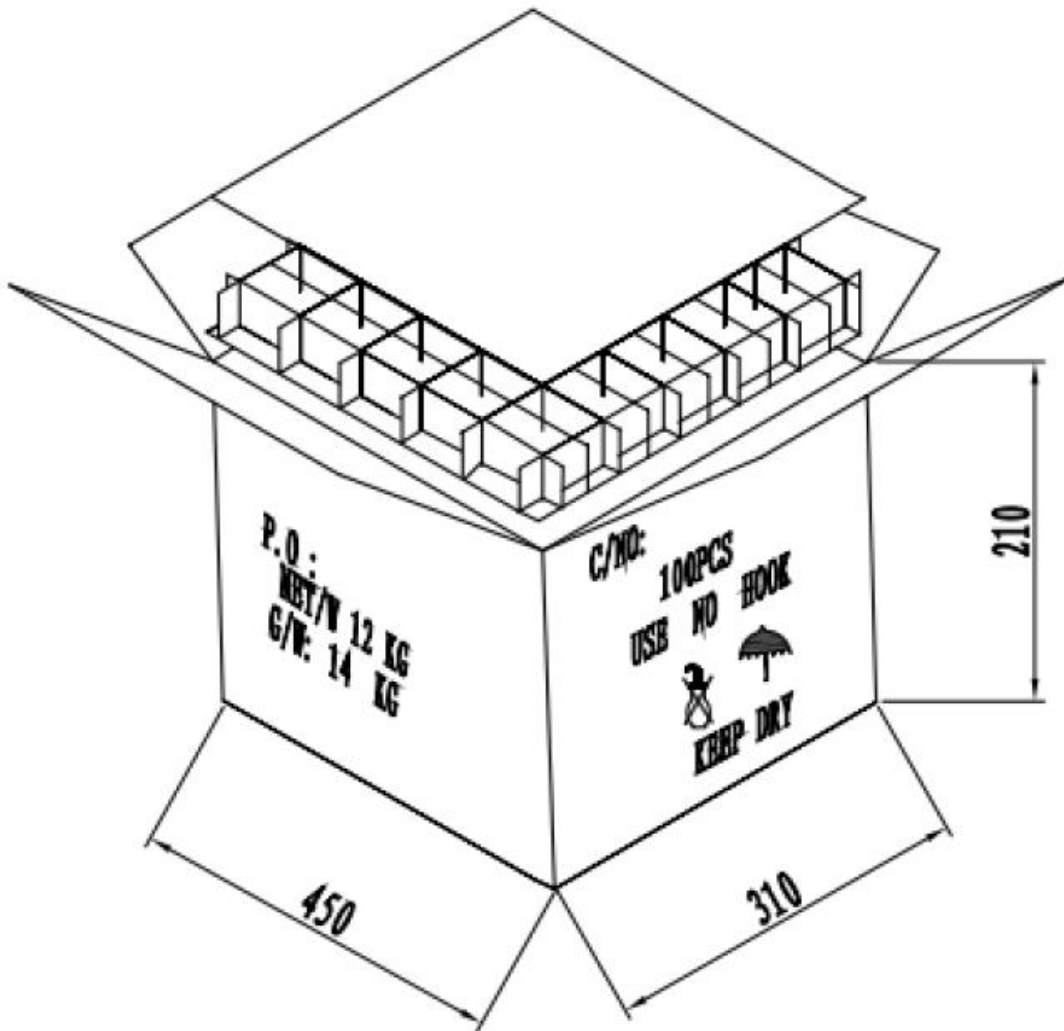
Type of Test	Test Specifications
High Temperature Test	96 hours at +65°C ± 3°C followed by three hours in normal room temperature
Low Temperature Test	96 hours at -20°C ± 3°C followed by three hours in normal room temperature
Humidity Test	96 hours at +40°C ± 3°C with relative humidity at 90% followed by 6 hours in normal room temperature
Temperature Cycle Testing	<p>The part shall be subjected to 5 cycles using the following procedure:</p>  <p>The diagram illustrates a temperature cycle testing profile. It starts with a 2-hour dwell at +65°C. This is followed by a 0.5-hour ramp down to +25°C. There is a 1-hour dwell at +25°C, followed by another 0.5-hour ramp down to -20°C. The cycle concludes with a 2-hour dwell at -20°C. The total duration of the cycle is 6 hours.</p>
Vibration Test	Frequency 30 ± 15Hz, Amplitude 1.5mm for 3hr
Drop Test	100cm free fall onto concrete, x2
Load Test	Rated power for 96hrs

After each test, the speaker's SPL shall be ±3 dB of the original SPL

Dimensions



Packaging



units: cm

Remark:

40pcs per tray

2 trays for unit, 1 unit per carton

Total:100 pcs per box

Size:45*31*21cm

Specifications Revisions

PUI Audio, Inc., 3541 Stop Eight Road, Dayton, OH 45414
Tel: (937) 415-5901 Fax: (937) 415-5925

Revision	Description	Date	Customer Approval (Date & Signature)
-	Released from Engineering	5/1/2020	

Note:

1. Unless otherwise specified:
 - A. All dimensions are in millimeters.
 - B. Default tolerances are $\pm 0.5\text{mm}$ and angles are $\pm 3^\circ$.
2. Specification to change or withdraw without notice.
3. Speaker face has been treated for water resistance.
4. This part is RoHS 2015/863/EU Compliant.