

P1AD-24F29M

RF Adapter, 2.4mm Female to 2.92mm Male. Frequency DC to 40 GHz, VSWR max 1.25.

Product Features

P1dB's P1AD-24F29M is a straight 2.4mm Female to 2.92mm Male adapter.

Frequency DC to 40 GHz with a maximum VSWR of 1.25:1.



Electrical Specification: $T_{\text{Ambient}} = 25^{\circ}\text{C}$

Parameter	Frequency Range	Units	Min	Typical	Max	Notes
Impedance				50.0		

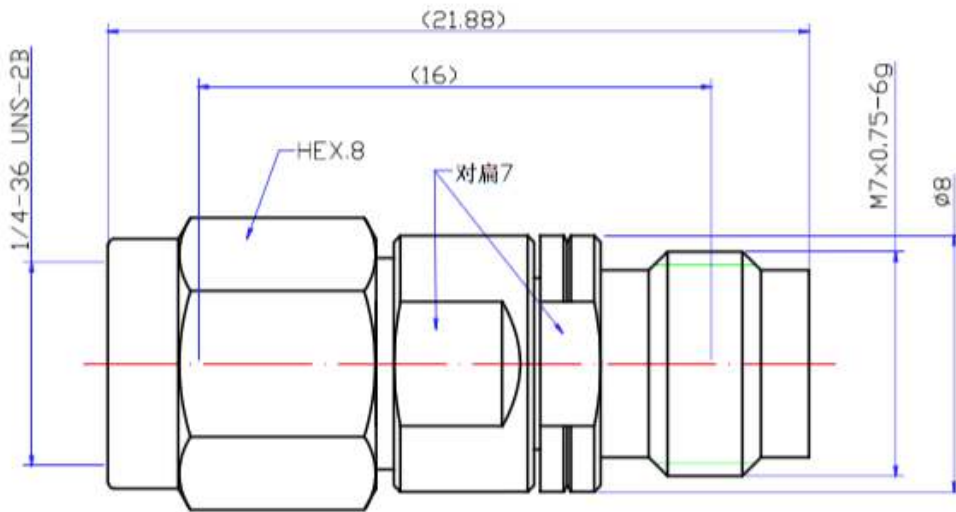
Mechanical And Environmental Specifications:

Parameter	Description	Notes
Connector 1	2.4mm Female	
Connector 2	2.92mm Male	
Orientation	Straight	
Mount Type	None	
RoHS Compliance	Yes	

Drawing

P1AD-24F29M

RF Adapter, 2.4mm Female to 2.92mm Male. Frequency DC to 40 GHz, VSWR max 1.25.



Product Notes