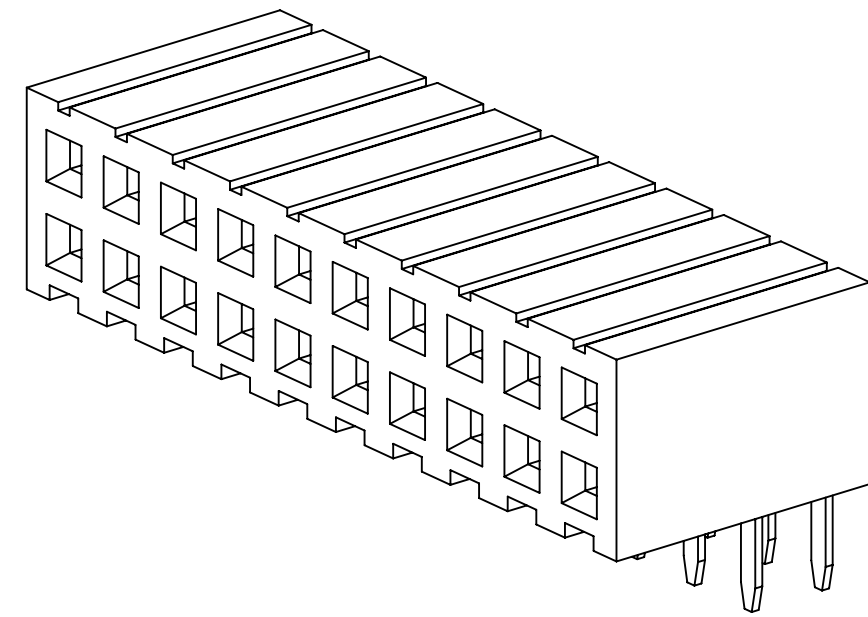


3M™ BOARDMOUNT SOCKET, 950 SERIES
2.00MM X 2.00MM RIGHT ANGLE



9504XX-5002
RIGHT ANGLE
VERSION

2 PHYSICAL :

INSULATOR: HIGH TEMP THERMOPLASTIC
MATERIAL: UL94V-0
FLAMMABILITY: UL94V-0
COLOR: BLACK
CONTACT: COPPER ALLOY
MATERIAL: COPPER ALLOY
PLATING: NICKEL-OVERALL
UNDER PLATING: 1.27-2.54µm [50-100µ"]
WIPING AREA: GOLD FLASH
SOLDER TAILS: 1-3µm [40-118µ"] MATTE TIN

2 ELECTRICAL :

CURRENT RATING: 2A
INSULATION RESISTANCE: >1000MΩ
WITHSTANDING VOLTAGE: 500V_{rms}, 1mA, 60s
CONTACT RESISTANCE: ≤ 20 mOhm
UL VOLTAGE RATING: 125V

2 ENVIRONMENTAL :

TEMPERATURE RATING: -40° C TO 105° C
PROCESSING TEMPERATURE: MAX. 260° C (PROFILE PER J-STD-020C)
MOISTURE SENSITIVITY LEVEL: 1 (PER J-STD-020C)

- NOTES
1. REGULATORY INFORMATION: VISIT 3M.com/regs
 2. IN THE EVENT OF CONFLICT BETWEEN THIS DATA AND THAT CONTAINED IN THE PRODUCT SPECIFICATION, THE PRODUCT SPECIFICATION TAKES PRECEDENT.
 3. N = THE NUMBER OF POSITIONS.
 4. CONTACT YOUR 3M REPRESENTATIVE FOR AVAILABILITY OF ADDITIONAL CUSTOM POSITIONS.

3M ELECTRONICS MATERIALS SOLUTIONS DIVISION
INTERCONNECT SOLUTIONS
<http://www.3M.com/interconnect>

3M IS A TRADEMARK OF 3M COMPANY.
FOR TECHNICAL, SALES OR ORDERING
INFORMATION CALL 800-225-5373

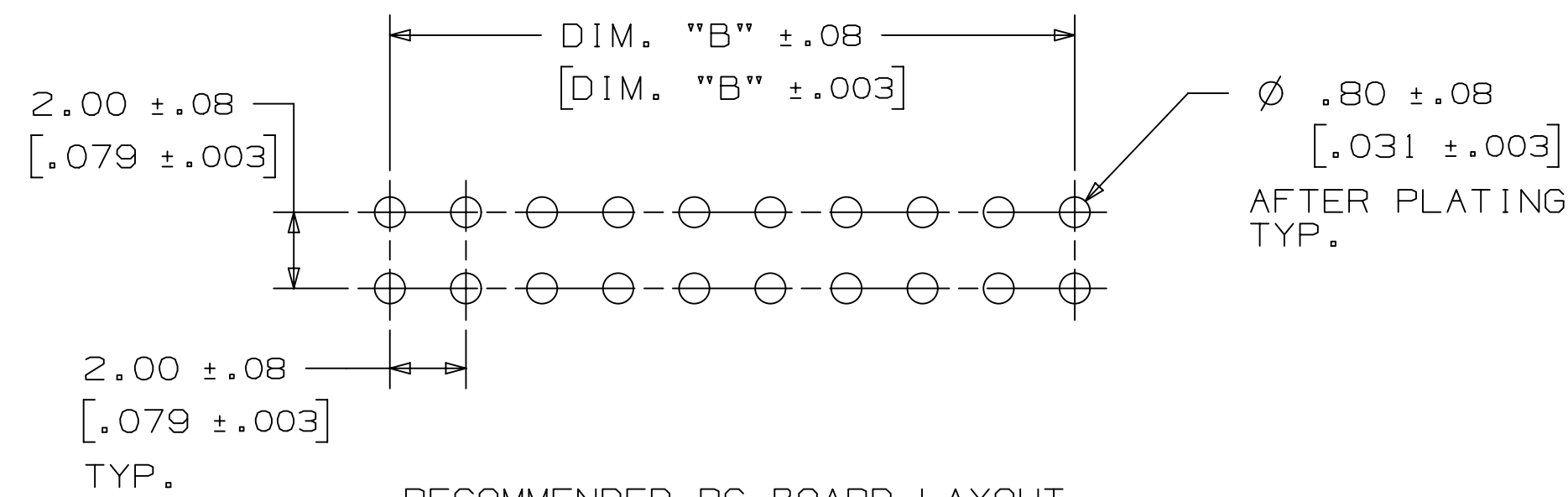
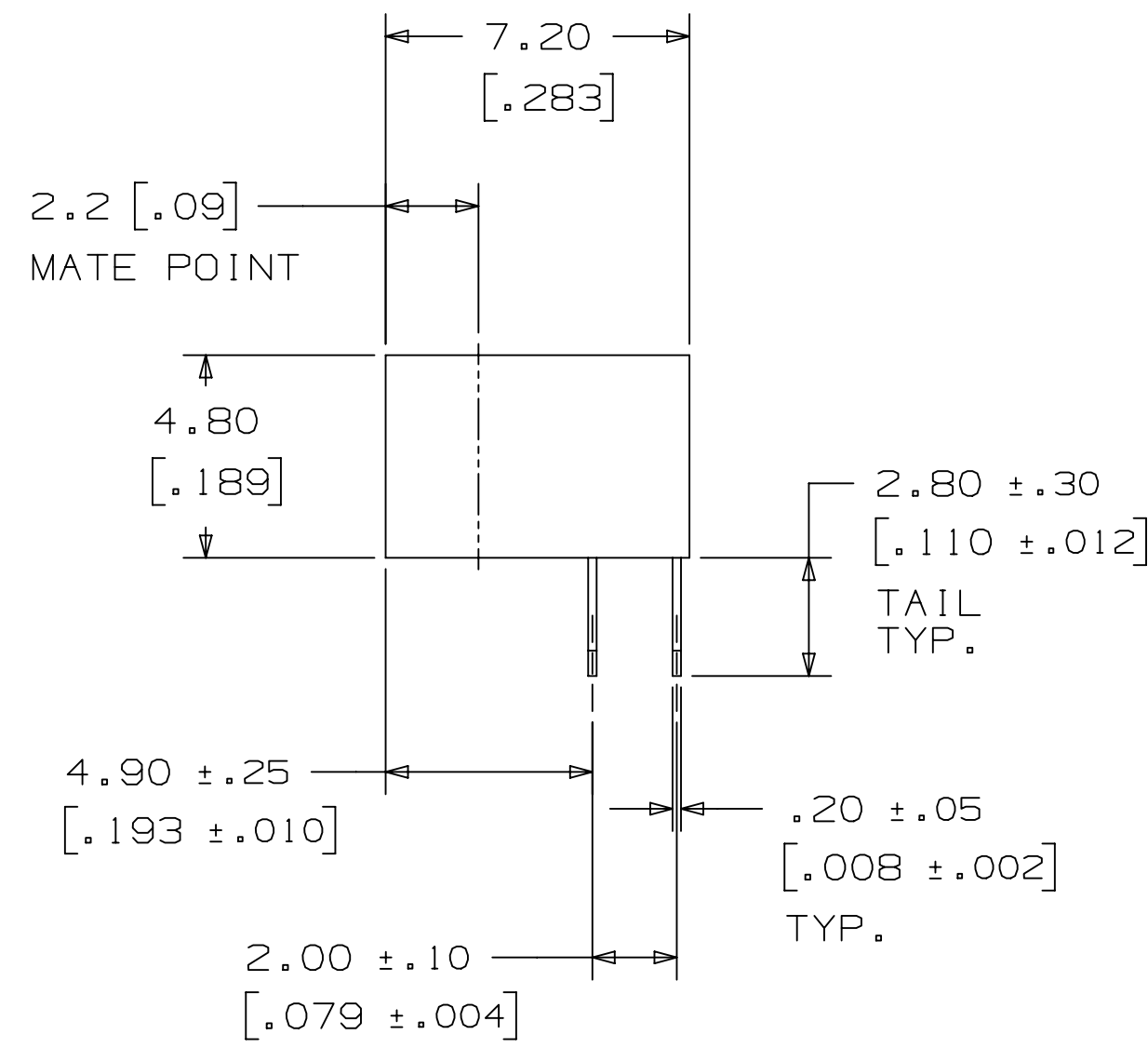
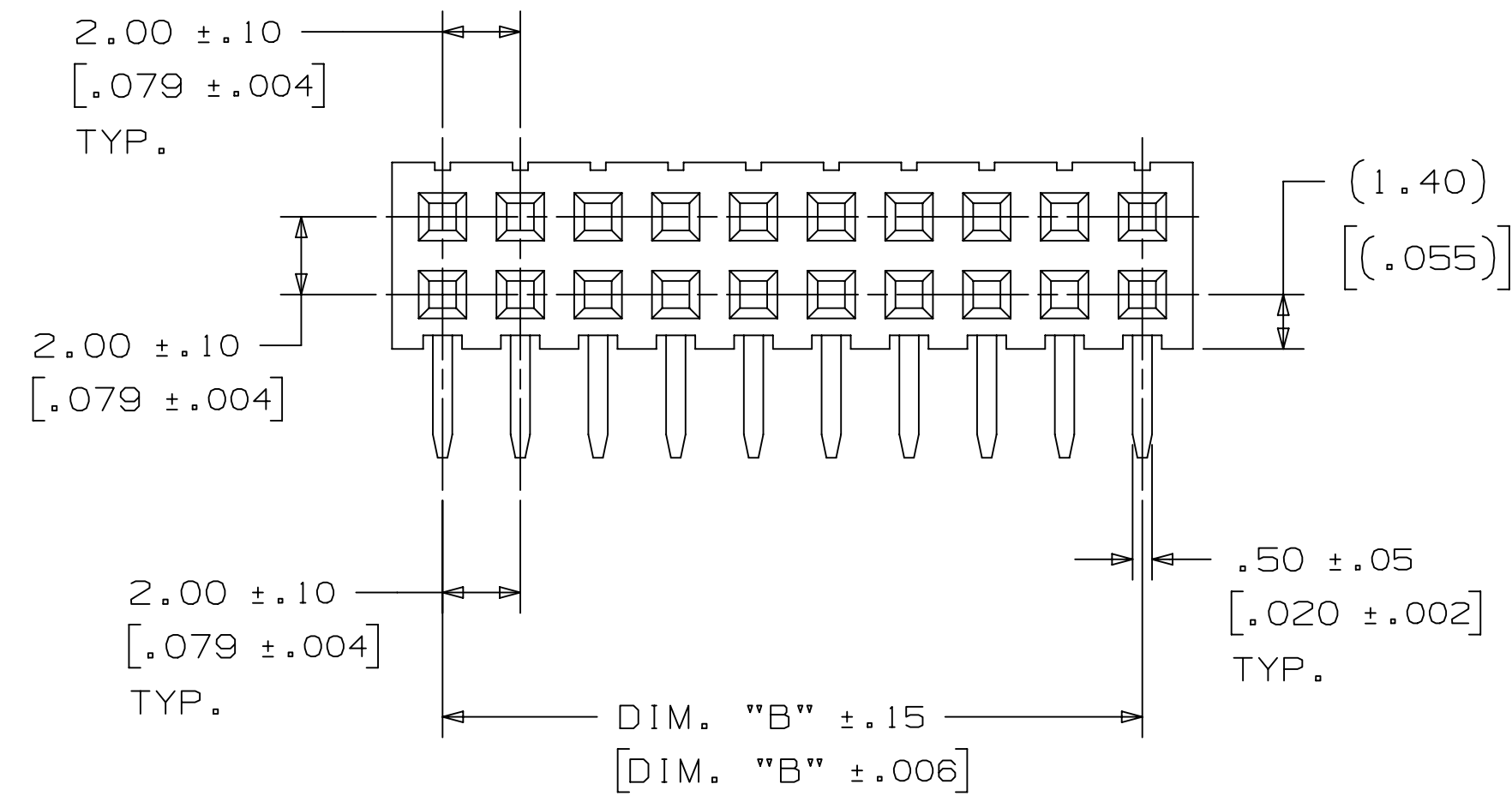
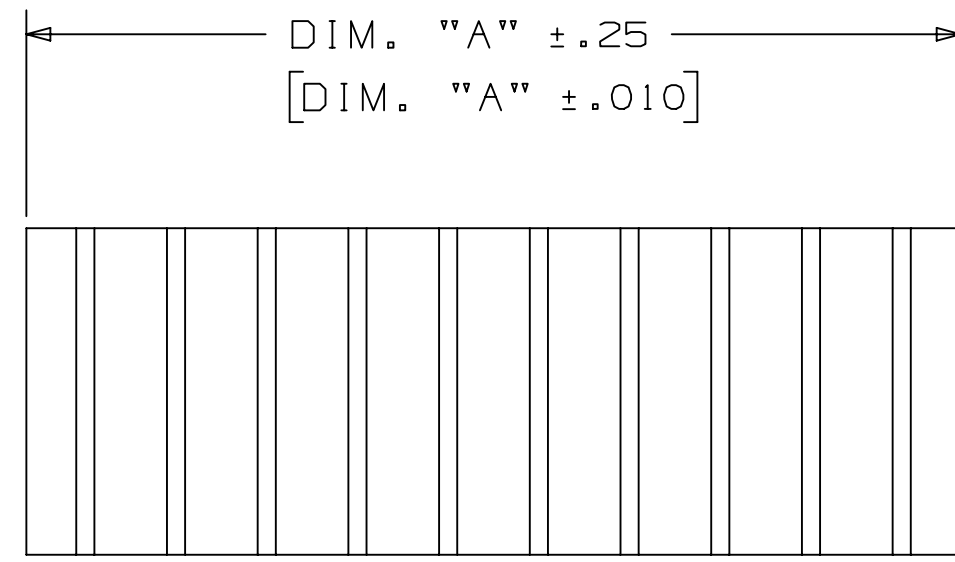


DIMENSIONS: INCH [MM]
[MM] FOR REF. ONLY

REV	ECO	ISSUE DATE AND DESCRIPTION	DRFT	CHKD
1		AUG 24, 2022 PRODUCTION RELEASE	JNC	FJR
DRFT	CASTIGLIONE	DATE JUN 30, 2015	APPV	DATE
CHKD	F. RODRIGUEZ	DATE AUG 11, 2015	APPV	DATE JUL 07, 2015
DIVISION	DIVISION CODE EMSD			
DO NOT SCALE DRAWING	SCALE 6/1	TOLERANCES EXCEPT AS NOTED	© 3M COPYRIGHT 2022 This document and the information it contains are 3M property and may not be reproduced or further distributed without 3M permission, or used or disclosed other than for 3M authorized purposes. All rights reserved.	
THIRD ANGLE PROJECTION	INTERPRET PER ASME Y14.5 - 2018	INCHES -0 ±.1 .00 ±.02 .000 ±.008 .0000 ±.0002	TITLE BMT SOCKET, 2MM X 2MM, RIGHT ANGLE, 950 SERIES	
MAX SURFACE ROUGHNESS	ALL SURFACES	MILLIMETERS 0 ± .0 ± .00 ± .000 ±	CAGE NUMBER	REV.
<input checked="" type="checkbox"/> MARKED ONLY	ANGLES ±	0 ±	D 78-5100-2655-8	A
			MODEL 950XX	DET [] YES [X] NO [] SHT 1 OF 3

78-5100-2655-8
DRAWING NUMBER

3M™ BOARDMOUNT SOCKET, 950 SERIES
2.00MM X 2.00MM RIGHT ANGLE



RECOMMENDED PC BOARD LAYOUT
(AS VIEWED FROM CONNECTOR SIDE)

ORDERING INFORMATION
RIGHT ANGLE THRU HOLE
950XXX-5002-AR

No. OF ROWS:
4 = 2 ROW

CONTACT QTY.
06-50 CONTACTS = 2 ROW
(SEE NOTE 4)

TABLE 1	
DIM. "A"	.079 [2.00] X (N/2) +.60
DIM. "B"	.079 [2.00] X (N/2-1)
SEE NOTE 3	

3M ELECTRONICS MATERIALS SOLUTIONS DIVISION
INTERCONNECT SOLUTIONS
<http://www.3M.com/interconnect>

3M IS A TRADEMARK OF 3M COMPANY.
FOR TECHNICAL, SALES OR ORDERING
INFORMATION CALL 800-225-5373

DESIGN REFERENCE		NEXT ASSEMBLY		REV	ECO	ISSUE DATE AND DESCRIPTION		DRFT	CHKD
						AUG 24, 2022 PRODUCTION RELEASE		JNC	FJR
DRG CODES		DIVISION CODE		DRFT	DATE	MFG	DATE		
		EMSD		CASTIGLIONE	JUN 30, 2015				
				DRD	DATE	APPR	DATE		
				F. RODRIGUEZ	AUG 11, 2015	T. SUNIGA	JUL 07, 2015		
DO NOT SCALE DRAWING		SCALE		<p>© 3M COPYRIGHT 2022 This document and the information it contains are 3M property and may not be reproduced or further distributed without 3M permission, or used or disclosed other than for 3M authorized purposes. All rights reserved.</p>					
		6 1							
		TOLERANCES EXCEPT AS NOTED							
THIRD ANGLE PROJECTION		INCHES		TITLE					
		.0 ±.1 .00 ±.02 .000 ±.008 .0000 ±.0002		BMT SOCKET, 2MM X 2MM, RIGHT ANGLE, 950 SERIES					
INTERPRET PER ASME Y14.5 - 2018		MILLIMETERS		CAGE NUMBER		DRAWING NO.		REV.	
		0 ± .0 ± .00 ± .000 ±		D		78-5100-2655-8		A	
MAX SURFACE ROUGHNESS		ANGLES		MODEL		950XX		SHT 2 OF 3	
SURFACES									
MARKED ONLY									

3M™ BOARDMOUNT SOCKET, 950 SERIES
2.00MM X 2.00MM RIGHT ANGLE

Regulatory: For regulatory information about this product, visit 3M.com/regs or contact your 3M representative.

Technical Information: The technical information, guidance, and other statements contained in this document or otherwise provided by 3M are based upon records, tests, or experience that 3M believes to be reliable, but the accuracy, completeness, and representative nature of such information is not guaranteed. Such information is intended for people with knowledge and technical skills sufficient to assess and apply their own informed judgment to the information. No license under any 3M or third party intellectual property rights is granted or implied with this information.

Product Use: Many factors beyond 3M's control and uniquely within user's knowledge and control can affect the use and performance of a 3M product in a particular application. As a result, customer is solely responsible for evaluating the product and determining whether it is appropriate and suitable for customer's application, including conducting a workplace hazard assessment and reviewing all applicable regulations and standards (e.g., OSHA, ANSI, etc.). Failure to properly evaluate, select, and use a 3M product in accordance with all applicable instructions and with appropriate safety equipment, or to meet all applicable safety regulations, may result in injury, sickness, death, and/or harm to property.

Warranty, Limited Remedy, and Disclaimer: Unless a different warranty is specifically stated on the applicable 3M product packaging or product literature (in which case such warranty governs), 3M warrants that each 3M product meets the applicable 3M product specification at the time 3M ships the product. 3M MAKES NO OTHER WARRANTIES OR CONDITIONS, EXPRESS OR IMPLIED, INCLUDING, BUT NOT LIMITED TO, ANY IMPLIED WARRANTY OR CONDITION OF MERCHANTABILITY, FITNESS FOR A PARTICULAR PURPOSE, OR ANY IMPLIED WARRANTY OR CONDITION ARISING OUT OF A COURSE OF DEALING, CUSTOM, OR USAGE OF TRADE. If a 3M product does not conform to this warranty, then the sole and exclusive remedy is, at 3M's option, replacement or repair of the 3M product or refund of the purchase price.


Limitation of Liability: Except for the limited remedy stated above, and except to the extent prohibited by applicable law, 3M will not be liable for any loss or damage arising from or related to the 3M product, whether direct, indirect, special, incidental, or consequential (including, but not limited to, lost profits or business opportunity), regardless of the legal or equitable theory asserted, including, but not limited to, warranty, contract, negligence, or strict liability.

Disclaimer: For industrial use only. Not intended, labeled or packaged for consumer sale or use.

3M Company
Electronics Materials Solutions Division
13011 McCallen Pass, Bldg. C
Austin, TX 78753-5380
1-800-225-5373
www.3M.com/interconnect

3M ELECTRONICS MATERIALS SOLUTIONS DIVISION
INTERCONNECT SOLUTIONS
<http://www.3M.com/interconnect>

3M IS A TRADEMARK OF 3M COMPANY.
FOR TECHNICAL, SALES OR ORDERING
INFORMATION CALL 800-225-5373

DESIGN REFERENCE		NEXT ASSEMBLY		REV	ECO	ISSUE DATE AND DESCRIPTION		DRFT	CHKD
						AUG 24, 2022 PRODUCTION RELEASE		JNC	FJR
DRAWING CODES		DIVISION CODE		DRFT	DATE	MFG	DATE		
		EMSD		CASTIGLIONE	JUN 30, 2015				
				DRFT	DATE	APPR	DATE		
				F. RODRIGUEZ	AUG 11, 2015	T. SUNIGA	JUL 07, 2015		
DO NOT SCALE DRAWING		SCALE		TOLERANCES EXCEPT AS NOTED		 © 3M COPYRIGHT 2022 This document and the information it contains are 3M property and may not be reproduced or further distributed without 3M permission, or used or disclosed other than for 3M authorized purposes. All rights reserved.			
		6 1		INCHES		BMT SOCKET, 2MM X 2MM, RIGHT ANGLE, 950 SERIES			
THIRD ANGLE PROJECTION		INTERPRET PER ASME Y14.5 - 2018		MILLIMETERS		CAGE NUMBER DRAWING NO. MODEL			
<input checked="" type="checkbox"/> ALL SURFACES <input type="checkbox"/> MARKED ONLY		.0 ± .1 .00 ± .02 .000 ± .008 .0000 ± .0002		0 ± .0 ± .00 ± .000 ±		D 78-5100-2655-8		REV. A	
		.000 ± ANGLES ±		950XX		DET 1/15 YES <input type="checkbox"/> NO <input checked="" type="checkbox"/> SHT 3 OF 3			

78-5100-2655-8
DRAWING NUMBER
A
REVISION