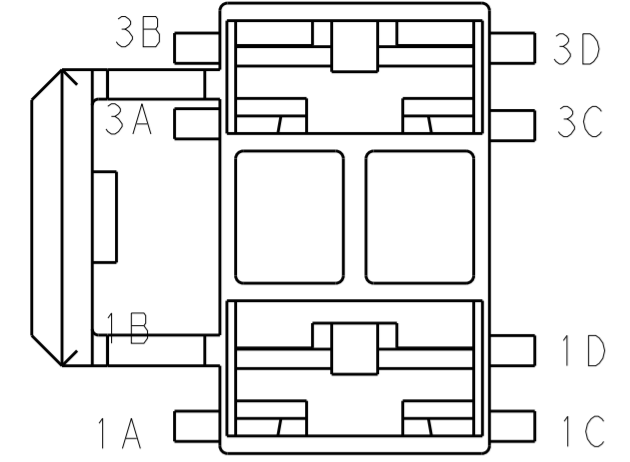


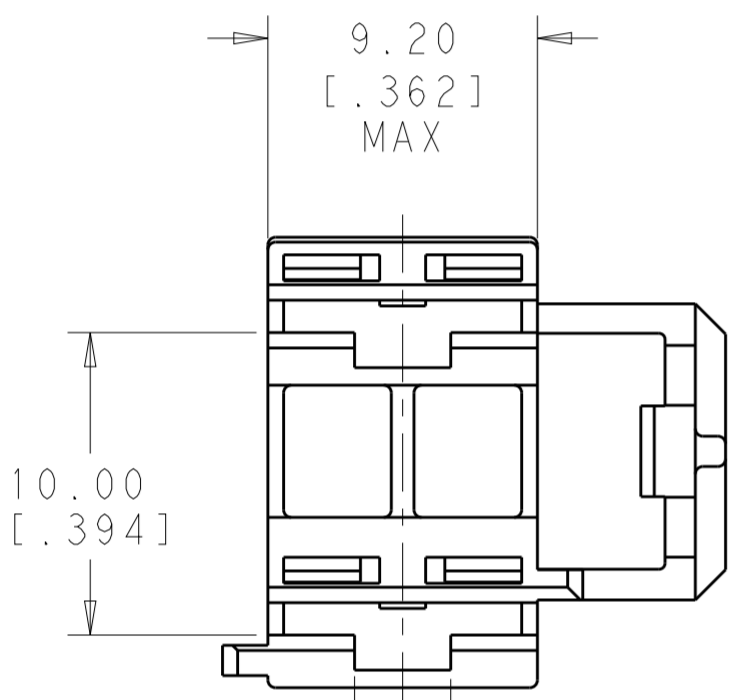
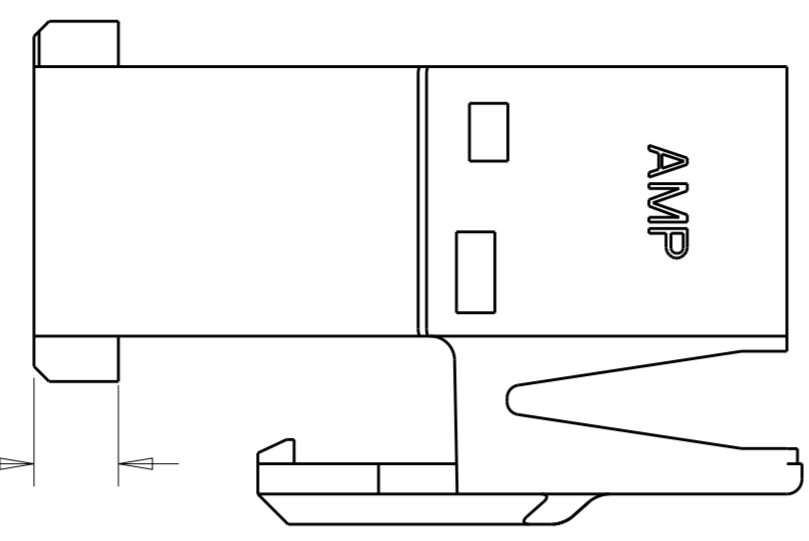
THIS DRAWING IS UNPUBLISHED. RELEASED FOR PUBLICATION 2012  
 © COPYRIGHT 2012 BY TE CONNECTIVITY ALL RIGHTS RESERVED.

REVISIONS						
LOC	DIST	P	LTR	DESCRIPTION	DATE	APVD
-	-	C		REVISED PER ECR-17-002628	14MAR2017	JK
		D		REVISED PER ECR-18-004971	17APR2018	MD



SPECIAL REAR VIEW THAT MATES WITH THE HEADER VIEWS BELOW SHOWING THE KEYING & POLARIZATION

2.79  
[.110]

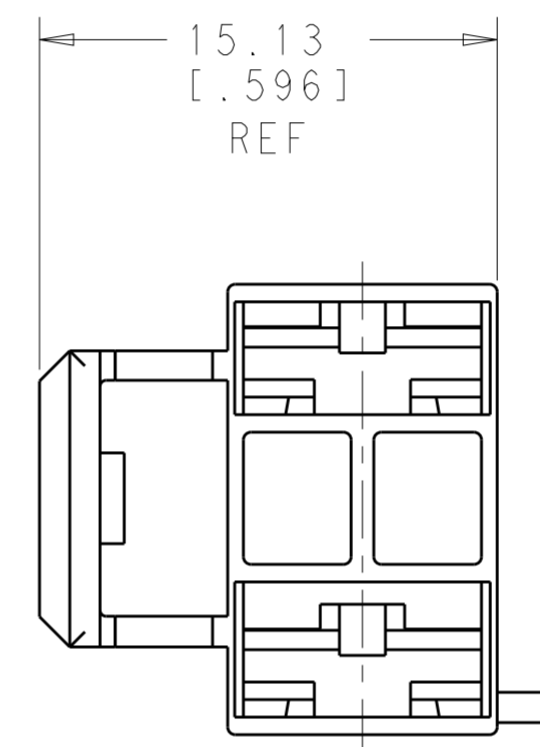
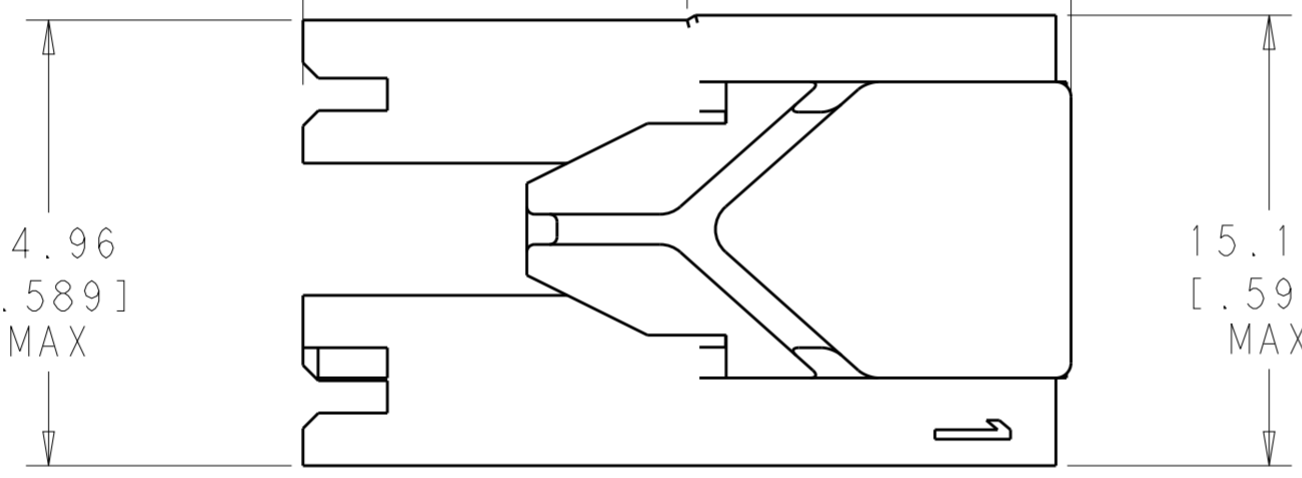


25.39±0.38  
[1.000±.014]

12.70  
[.500]

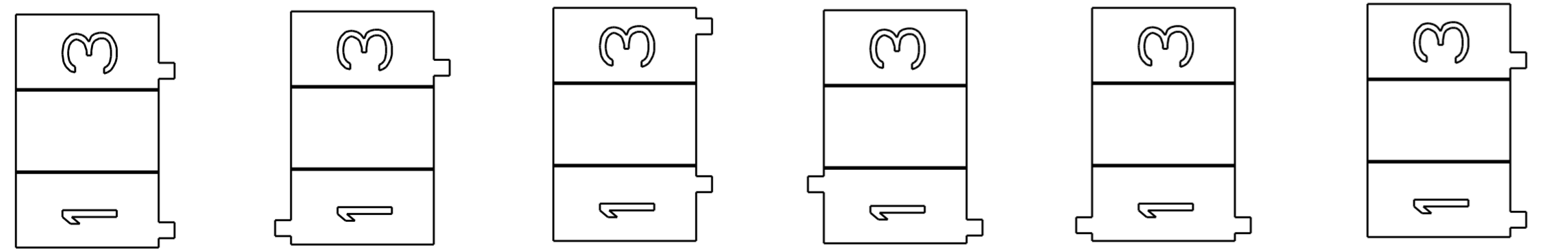
14.96  
[.589] MAX

15.12  
[.595] MAX



3.18±0.38  
[.125±.014]

- 1 ACCORDING TO IEC 60335-1, GWEPT 750°C WITHOUT FLAME
- 2 PRELIMINARY - NOT FOR PRODUCTION
- 3 DELETED NOTE
- 4 DELETED NOTE
- 5 ACCEPTS RECEPTACLES 2238135, 2238136, 1217378, 1217094 AND 1217095



1969536-1 1969536-2 1969536-3 1969536-4 1969536-5 1969536-6  
 5-1969536-1 5-1969536-2 5-1969536-3 5-1969536-4 5-1969536-5 5-1969536-6

HEADER VIEWS

1	1C, 3C	NONE	GRAY	5-1969536-6
1	1C	1A	BLUE	5-1969536-5
1	1C	1B	BLACK	5-1969536-4
1	1D, 3D	NONE	NATURAL	5-1969536-3
1	3C	1A	YELLOW	5-1969536-2
1	1C, 3C	NONE	GREEN	5-1969536-1
	1C, 3C	NONE	GRAY	1969536-6
	1C	1A	BLUE	1969536-5
	1C	1B	BLACK	1969536-4
	1D, 3D	NONE	NATURAL	1969536-3
	3C	1A	YELLOW	1969536-2
	1C, 3C	NONE	GREEN	1969536-1
	KEYING FEATURE	POLARIZATION FEATURE	COLOR	PART NUMBER

THIS DRAWING IS A CONTROLLED DOCUMENT. DWN JR RUTH 19JUN2012  
 CHK F LUPO 15MAR2017  
 APVD R ROBONE 15MAR2017

TE Connectivity

HOUSING, RECEPT, POSI-LOCK MK III, 6.35 [.250] SERIES, 3 POSITION, 2 CIRCUIT

SIZE A2 CAGE CODE 00779 DRAWING NO C-1969536 RESTRICTED TO

MATERIAL NYLON TOLERANCES UNLESS OTHERWISE SPECIFIED: DIMENSIONS: mm [INCHES] 0 PLC ±, 1 PLC ±, 2 PLC ±0.25 [.010], 3 PLC ±, 4 PLC ±, ANGLES ±, FINISH ±

SEE TABLE

Customer Drawing SCALE 4:1 SHEET 1 OF 1 REV D