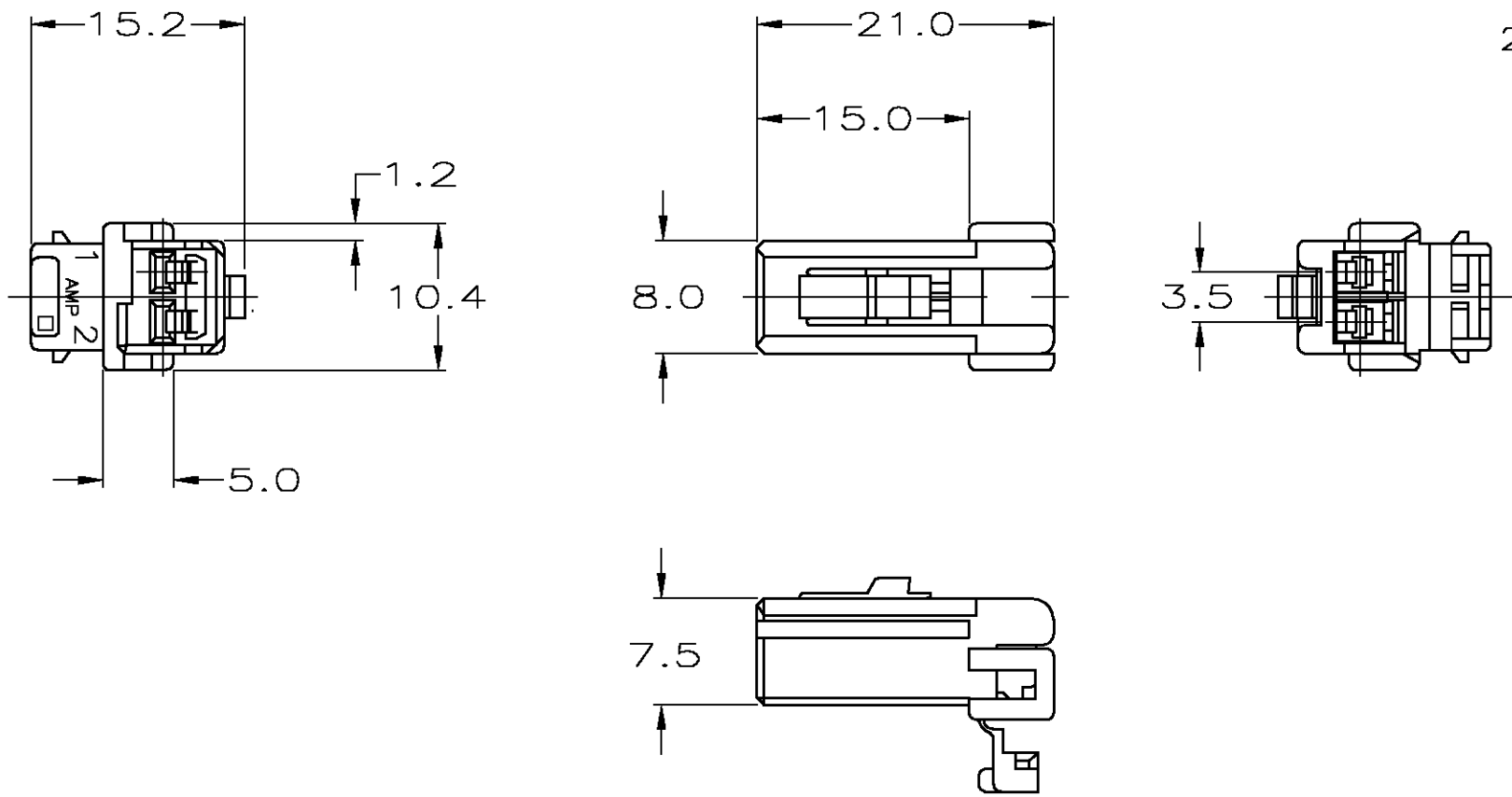


THIS DRAWING IS UNPUBLISHED. RELEASED FOR PUBLICATION
 © COPYRIGHT - BY TYCO ELECTRONICS CORPORATION. ALL RIGHTS RESERVED.

LOC	DIST	REVISIONS					
FX	55	P	LTR	DESCRIPTION	DATE	DWN	APVD
		B		REDRAWIN - EC 0K80-0003-03	05FEB03	JRB	SSA



1. MATES TO MOLDED-IN INTERFACE DEVICE.
2. APPLIED CONTACT PART NUMBER 173631.

GRAY	776128-6
COLOR	PART NUMBER

THIS DRAWING IS A CONTROLLED DOCUMENT.		DWN P. YEAGER 9-6-96	Tyco Electronics Corporation Harrisburg, PA 17105-3608	
DIMENSIONS: MM		CHK R. GRAY 9-6-96		
		APVD R. GRAY 9-6-96	NAME PLUG HSG,2 POSN,LEFT KEYED .070 SERIES MULTI-LOCK	
TOLERANCES UNLESS OTHERWISE SPECIFIED:		PRODUCT SPEC	-	
MATERIAL PBT		FINISH	-	
-		APPLICATION SPEC	-	
-		WEIGHT	-	
-		CUSTOMER DRAWING	SIZE A3	CAGE CODE 00779
-		FINISH	DRAWING NO C-776128	RESTRICTED TO -
-		FINISH	SCALE 2:1	SHEET 1 OF 1
-		FINISH	REV B	