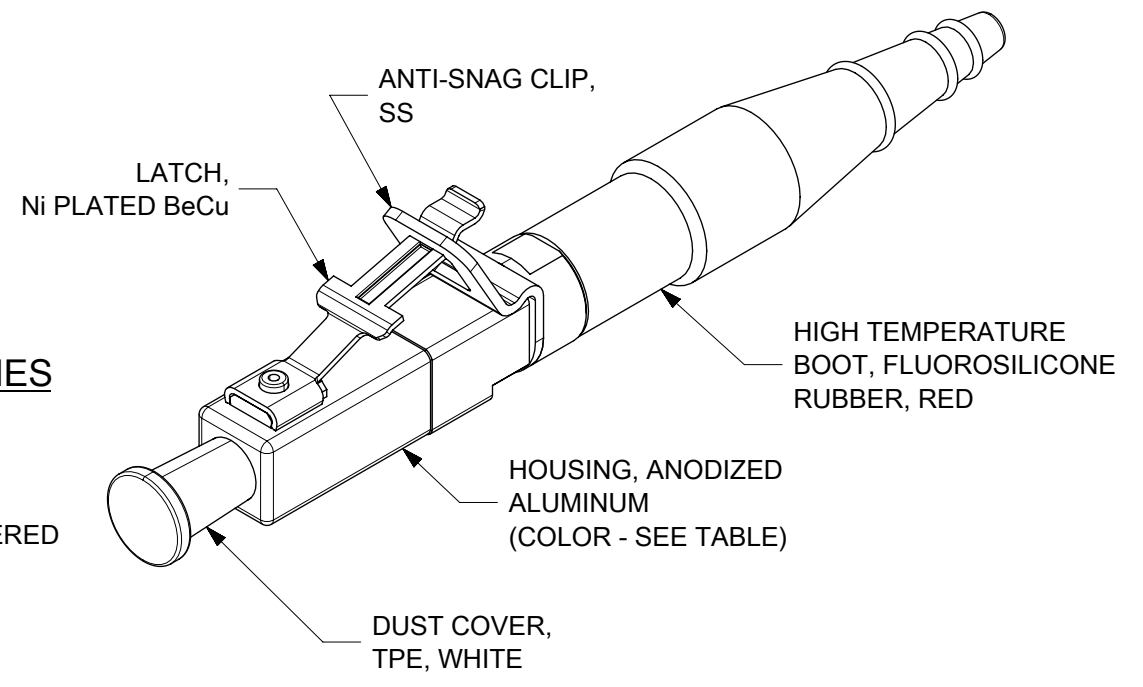
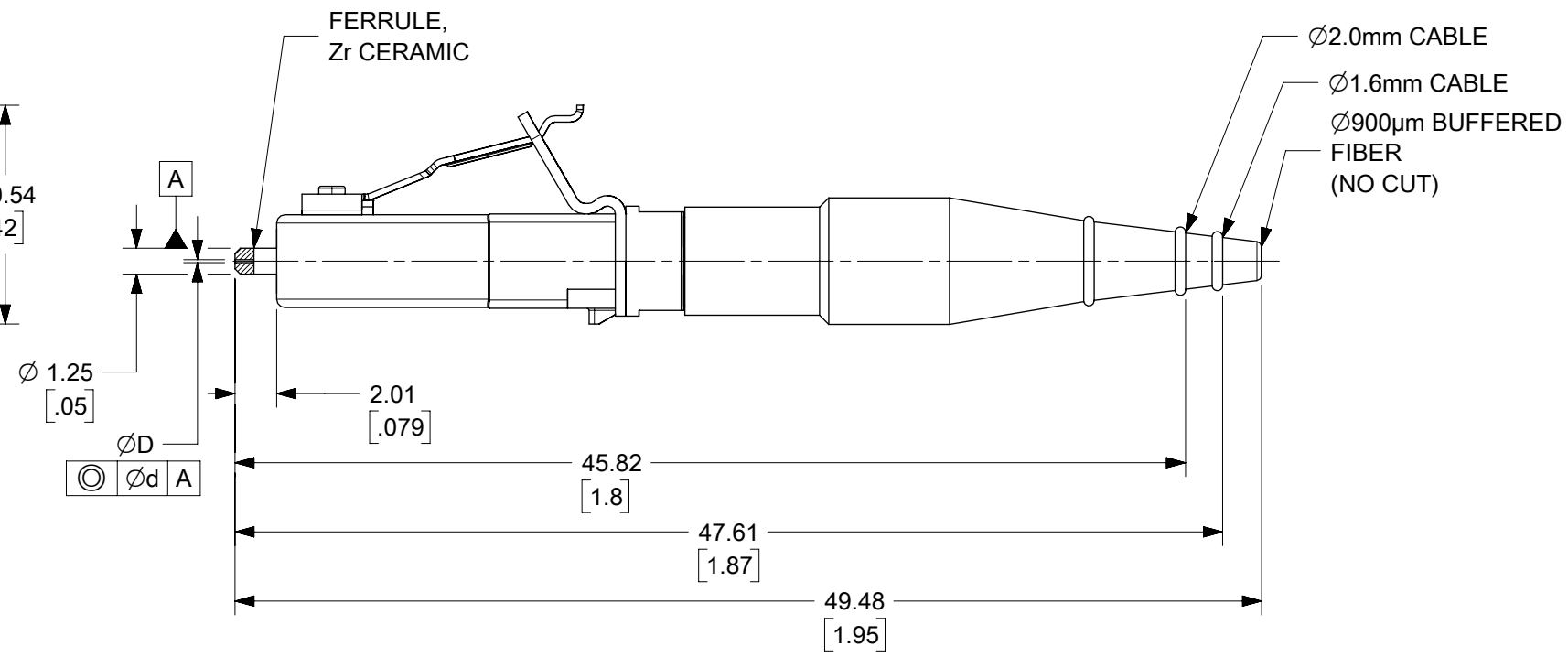
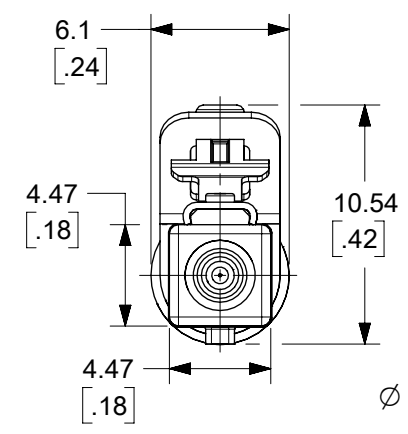


| CONNECTOR P/N | CONNECTOR TYPE | HOUSING COLOR | ØD (µm) | Ød (µm) |
|---------------|----------------|---------------|---------------|---------|
| 1063975300 | Single Mode | Blue | 125.5 +0.5/-0 | 0.5 |
| 1063975301 | | | 126.0 +1.0/-0 | 1.0 |
| 1063975500 | Multimode | Gold | 127.0 +3.0/-0 | 3.0 |



NOTES:

1. INTERFACE DIMENSIONS COMPLY TO IEC 61754-20 TYPE LC CONNECTOR FAMILY.
2. BOOT TO BE CUT AT LINES AS SHOWN DEPENDING ON THE CABLE SIZE.
3. FOR TERMINATION PROCEDURE USE STANDARD LC TERMINATION PROCEDURE. (RECOMMENDED CRIMP TOOL P/N 867445000)
4. CONNECTOR TESTED TO PASS FOLLOWING STANDARDS:
 - TELCORDIA GR-326-CORE. THERMAL CYCLE CONDITIONS MODIFIED TO BE -60°C TO +150°C (REFER TO TEST REPORT TR8797)
 - EIA-364 (REFER TO TEST REPORT TR8797)

CONNECTOR IS SOLD AS A KIT. CUSTOMER IS RESPONSIBLE TO PERFORM THEIR OWN TEST TO VERIFY THEIR TERMINATION PROCESS AS A FINISHED PRODUCT.

| | | | | |
|-----------------|----|--------------|------------|----------|
| DOCUMENT STATUS | P1 | RELEASE DATE | 2021/02/18 | 16:18:17 |
|-----------------|----|--------------|------------|----------|

| | | | | | |
|--|---|------------------------|------------------------------|-----------------|---|
| FUNCTIONAL SYMBOLS | THIS DRAWING CONTAINS INFORMATION THAT IS PROPRIETARY TO MOLEX ELECTRONIC TECHNOLOGIES, LLC AND SHOULD NOT BE USED WITHOUT WRITTEN PERMISSION | | CURRENT REV DESC: | | molex |
| | MM/INCH | SCALE | 3:1 | | |
| GENERAL TOLERANCES (UNLESS SPECIFIED) | ANGULAR TOL | | ± 1.0° | | LC2+ METAL HIGH TEMP CONNECTOR, SIMPLEX |
| | 4 PLACES | ± | | | |
| DIVISIONAL SYMBOLS | 3 PLACES | ± | EC NO: 655686 | | PRODUCT CUSTOMER DRAWING |
| | 2 PLACES | ± | DRWN: IGUMIN 2021/02/15 | | |
| | 1 PLACE | ± | CHK'D: GGENCHANOK 2021/02/18 | | |
| | 0 PLACES | ± | APPR: GGENCHANOK 2021/02/18 | | |
| INITIAL REVISION: | | 2010/06/03 | | DOCUMENT NUMBER | |
| DRWN: EEFUNG | | 2010/06/10 | | SD-106397-5300 | |
| APPR: WCHEN | | | | DOC TYPE | DOC PART |
| DRAFT WHERE APPLICABLE MUST REMAIN WITHIN DIMENSIONS | | THIRD ANGLE PROJECTION | DRAWING | SERIES | REVISION |
| | | | B-SIZE | 106397 | B1 |
| | | MATERIAL NUMBER | CUSTOMER | SHEET NUMBER | |
| | | SEE TABLE | | 1 OF 1 | |