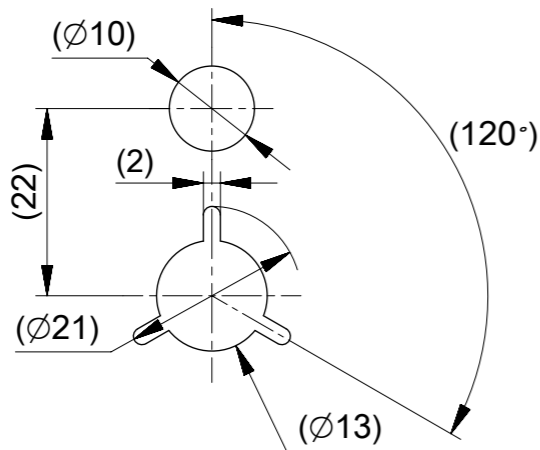


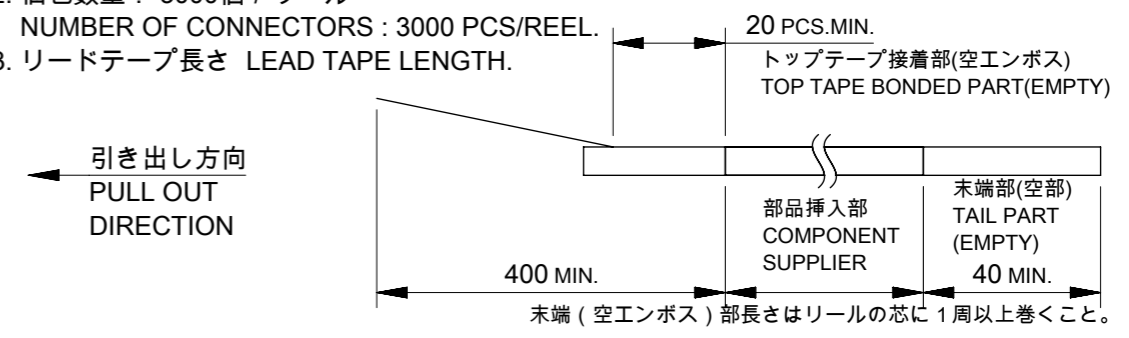
DETAIL 'D'



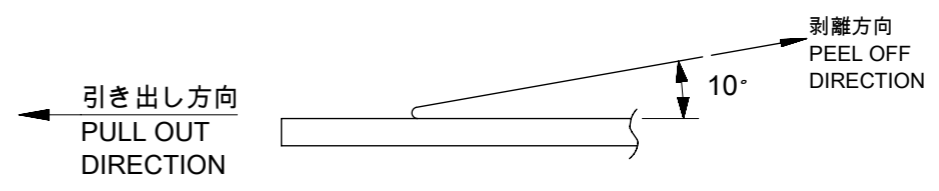
DETAIL "D"

NOTES

- 製品詳細寸法については製品単体図面を参照下さい。
DETAIL DIMENSION, SEE PRODUCT DRAWING.
- 梱包数量 : 3000個 / リール
NUMBER OF CONNECTORS : 3000 PCS/REEL.
- リードテープ長さ LEAD TAPE LENGTH.



- トップテープの剥離強度 : 0.1N~1.3N(10gf~130gf)
(剥離方向は下図参照)
尚、本規格値は出荷時に適用。(但し、輸送時に剥離が発生しないこと。)
PEELING OFF FORCE OF TOP TAPE : 0.1N~1.3N(10gf~130gf)
(PEELING DIRECTION AS SHOWN IN FOLLOWING FIG.)
THIS REQUIREMENT SHOULD BE APPLIED AT SHIPMENT.
PEEL OFF SHOULD NOT BE ALLOWED , DURING TRANSPORTATION.



- 材料 MATERIAL
キャリアテープ (CARRIER TAPE) : ポリスチレン (POLYSTYRENE)
トップテープ (TOP TAPE) : PET , OTHER
リール (REEL) : ポリスチレン (PS) [リサイクル材を含む]

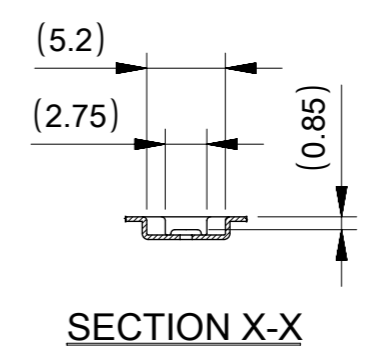
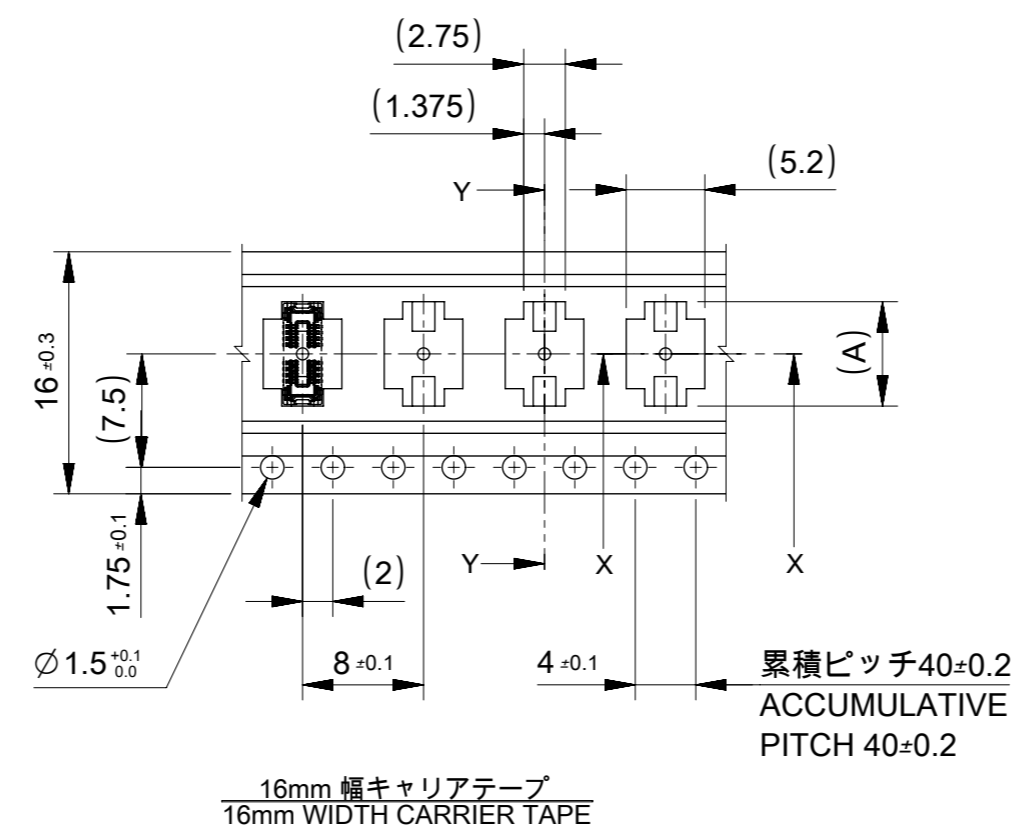
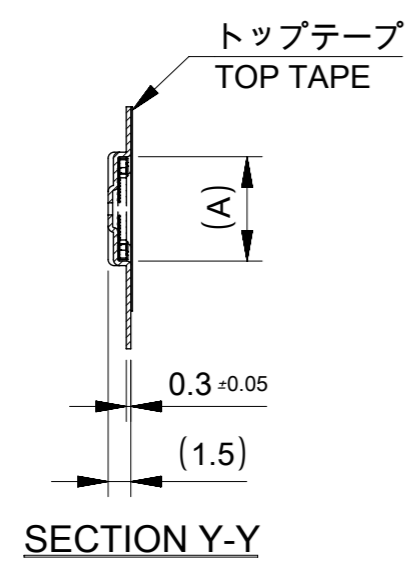
MODEL NO. : 503548**80

THIS DRAWING CONTAINS INFORMATION THAT IS PROPRIETARY TO MOLEX ELECTRONIC TECHNOLOGIES, LLC AND SHOULD NOT BE USED WITHOUT WRITTEN PERMISSION										
EC NO: 118757 DRWN: TMIYAZAKI CHK'D: KTAKAHASHI REV APPR: MSASAO	2017/06/29	2017/06/29	2017/06/30	GENERAL TOLERANCES (UNLESS SPECIFIED)		DIMENSION UNITS	SCALE			
	4 PLACES	±		MM	1:1					
	3 PLACES	±		DRWN BY	DATE	0.4 B-TO-B CONN. HGT=0.7 HI-RETENTION REC ASSY CHECKER TYPE EMBSTP PKG				
	2 PLACES	±		TMIYAZAKI	2017/05/25					
	1 PLACE	±		CHK'D BY	DATE	PRODUCT CUSTOMER DRAWING				
0 PLACES	±		KTAKAHASHI	2017/06/08						
DRAFT WHERE APPLICABLE MUST REMAIN WITHIN DIMENSIONS				APPR BY	DATE	SERIES	MATERIAL NUMBER	CUSTOMER		
				MSASAO	2017/06/09	503548	SEE SHEET 2	GENERAL		
				DRAWING SIZE	THIRD ANGLE PROJECTION	DOCUMENT NUMBER		DOC TYPE	DOC PART	SHEET NUMBER
				A3		5035480000		PSD	001	1 OF 2

THIS DOCUMENT HAS BEEN RE-ISSUED BASED ON SD-503548-008, REV 0

RELEASE STATUS	P1	RELEASE DATE	30.06.2017	07:10:58
----------------	----	--------------	------------	----------

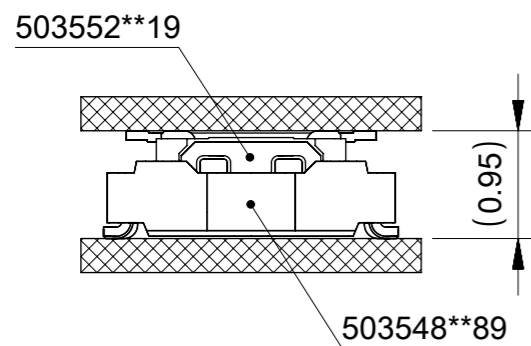
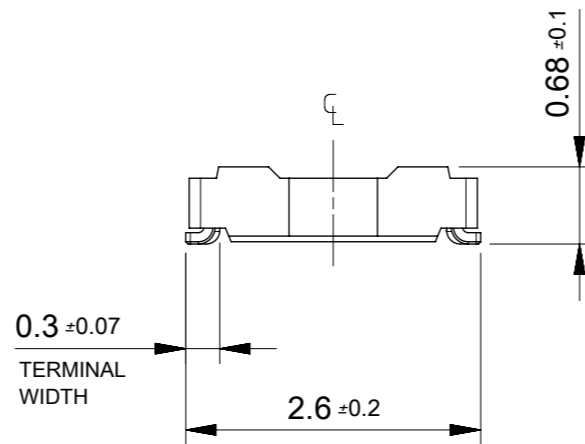
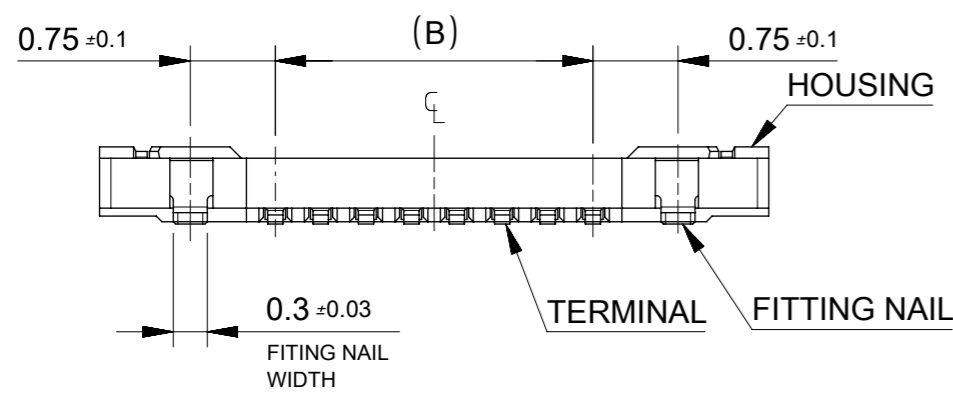
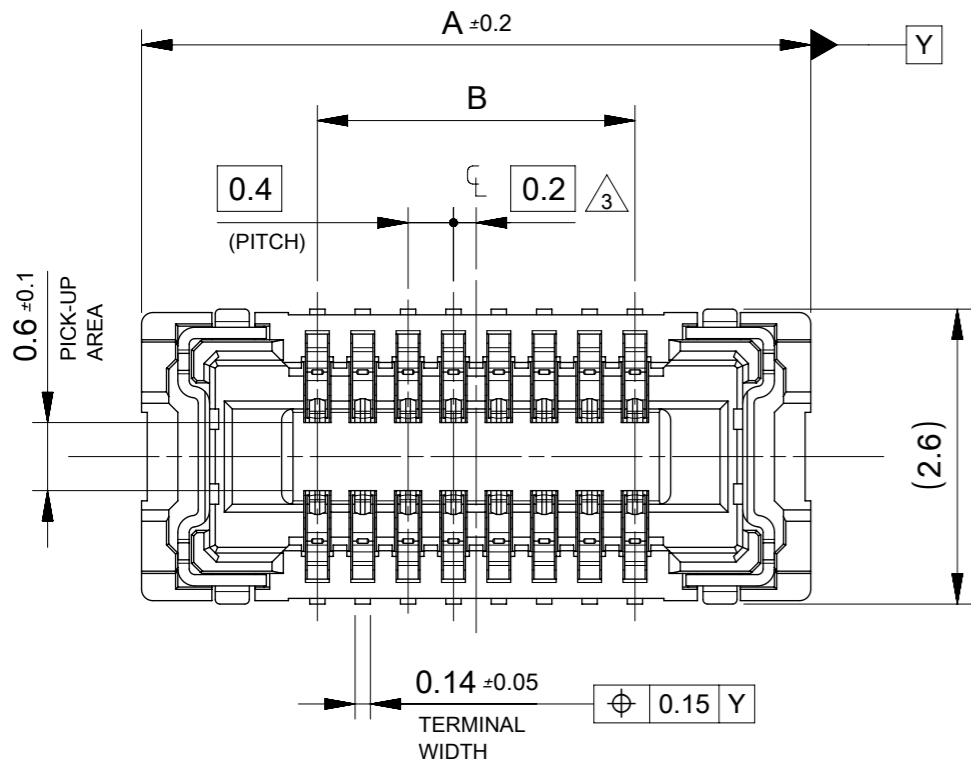
引き出し方向
PULL OUT DIRECTION



16	21.4	17.4	6.5	5035481880	18		
			6.1	5035481680	16		
			5.7	5035481480	14		
			5.3	5035481280	12		
			4.1	5035480680	6		
キャリアテープ幅 CARRIER TAPE WIDTH			C	B	(A)	MATERIAL No.	CKT
						MODEL No. : 503548**80	

THIS DRAWING CONTAINS INFORMATION THAT IS PROPRIETARY TO MOLEX ELECTRONIC TECHNOLOGIES, LLC AND SHOULD NOT BE USED WITHOUT WRITTEN PERMISSION

EC NO: 118757 DRWN: TMIYAZAKI CHK'D: KTAKAHASHI APPR: MSASAO	2017/06/29	2017/06/29	2017/06/30	GENERAL TOLERANCES (UNLESS SPECIFIED) ANGULAR TOL ± ° 4 PLACES ± 3 PLACES ± 2 PLACES ± 1 PLACE ± 0 PLACES ± DRAFT WHERE APPLICABLE MUST REMAIN WITHIN DIMENSIONS	DIMENSION UNITS	SCALE				
					MM	1:1				
					DRWN BY	DATE		TMIYAZAKI	2017/05/25	
					CHK'D BY	DATE		KTAKAHASHI	2017/06/08	
					APPR BY	DATE		MSASAO	2017/06/09	
				DRAWING SIZE	THIRD ANGLE PROJECTION	PRODUCT CUSTOMER DRAWING				
				A3		SERIES	MATERIAL NUMBER	CUSTOMER		
						503548	SEE CAHRT	GENERAL		
						DOCUMENT NUMBER		DOC TYPE	DOC PART	SHEET NUMBER
						5035480000		PSD	001	2 OF 2



MATED DRAWING
(REFERENCE)

注記 NOTES

1. 使用材料 MATERIAL
ハウジング : 液晶ポリマー (LCP) UL94V-0 (黒)
HOUSING: LIQUID CRYSTAL POLYMER UL94V-0 (COLOR:BLACK)
ターミナル : 銅合金
TERMINAL : COPPER ALLOY
金具 : 銅合金
FITTING NAIL : COPPER ALLOY
 2. メッキ仕様 PLATING
ターミナル TERMINAL
金メッキ GOLD
下地メッキ : ニッケルメッキ
UNDER PLATING : NICKEL
※コンタクト部とテール部はニッケルメッキによって分断されている金メッキです。
DIVIDE INTO PARTS THE GOLD PLATING OF THE CONTACT AND THE TAIL PART BY THE NICKEL PLATING.
 - 金具 FITTING NAIL
金メッキ (テール部のみ)
GOLD (ONLY TAIL PART)
下地メッキ : ニッケルメッキ
UNDER PLATING : NICKEL
- △3 (全極数 / 2) = 偶数の場合に適用。
APPLY FOR (CIRCUIT/2)=EVEN.
4. 嵌合相手 : 503552 シリーズ
MATE WITH : 503552 SERIES.
 5. テール平坦度は、0.08 以下
テール及び金具の平坦度は、0.1 以下
TAIL COPLANARITY TO BE 0.08MAXIMUM.
TAIL AND FITTING NAIL COPLANARITY TO BE 0.1MAXIMUM.

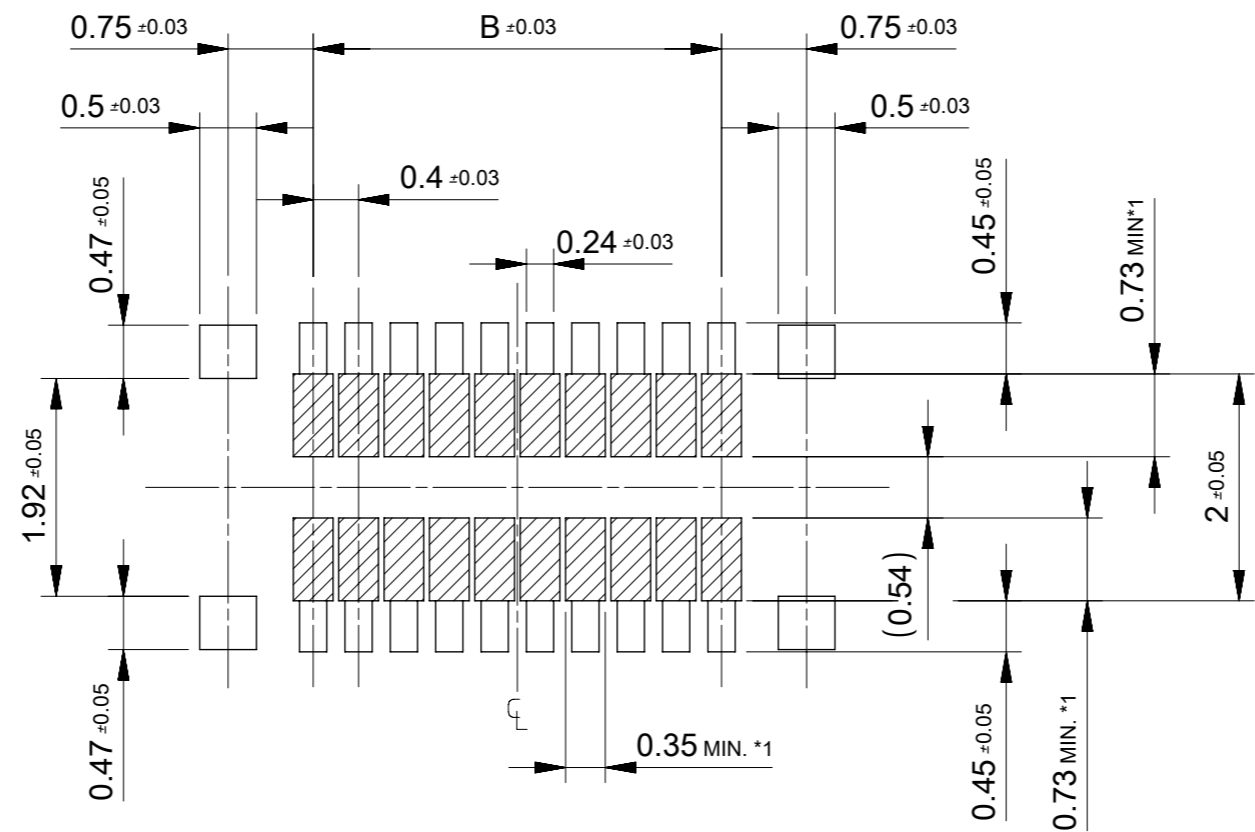
3.2±0.2	6.3	5035481880	18
2.8±0.2	5.9	5035481680	16
2.4±0.2	5.5	5035481480	14
2.0±0.2	5.1	5035481280	12
0.8±0.1	3.9	5035480680	6
B	A	EMBOSSED PACKAGE オーダー番号 ORDER No.	極数 CIRCUITS
CONNECTOR SERIES No. : 503548**89			

THIS DRAWING CONTAINS INFORMATION THAT IS PROPRIETARY TO MOLEX ELECTRONIC TECHNOLOGIES, LLC AND SHOULD NOT BE USED WITHOUT WRITTEN PERMISSION

EC NO: 118757 DRWN: TMIYAZAKI CHK'D: KTAKAHASHI APPR: MSASAO	2017/06/29	2017/06/29	2017/06/30	GENERAL TOLERANCES (UNLESS SPECIFIED)	DIMENSION UNITS	SCALE			
	4 PLACES ±	3 PLACES ±	2 PLACES ±		MM	15:1			
	1 PLACE ±	0 PLACES ±	ANGULAR TOL ± 1.0 °		DRWN BY	DATE		TMIYAZAKI	2017/05/25
	DRAFT WHERE APPLICABLE MUST REMAIN WITHIN DIMENSIONS				CHK'D BY	DATE		KTAKAHASHI	2017/06/08
REV			MSASAO	DATE	MSASAO	2017/06/09	<p>0.4 B-TO-B CONN. HGT=0.7 W=2.6 HI-RETENTION REC ASSY CHECKER TYPE</p> <p>PRODUCT CUSTOMER DRAWING</p>		
DRAWING SIZE		THIRD ANGLE PROJECTION	SERIES		MATERIAL NUMBER	CUSTOMER			
A3			503548	SEE CHART	GENERAL				
DOCUMENT NUMBER				DOC TYPE	DOC PART	SHEET NUMBER			
5035481000				PSD	003	1 OF 2			

THIS DOCUMENT HAS BEEN RE-ISSUED BASED ON SD-503548-007, REV 0

RELEASE STATUS	P1	RELEASE DATE	30.06.2017	07:11:01
----------------	----	--------------	------------	----------



**RECOMMENDED P.W. BOARD
PATTERN LAYOUT**

- *1 パターン引き回し、および半田禁止エリア
(当該箇所においては、これと接する回路以外の配線を禁止する。
また、接する回路を配線する場合はレジストを施し、この部分に
半田は無きこととする。)
- *1 PROHIBITED AREA OF PATTERN WIRING AND SOLDER.
(FOR EACH AREA, THE WIRING THAT TOUCHES ON THE SOLDER
CAN BE ATTACHED, THEN COVERED WITH A FILM TO KEEP SOLDER OUT.)

THIS DRAWING CONTAINS INFORMATION THAT IS PROPRIETARY TO MOLEX ELECTRONIC TECHNOLOGIES, LLC AND SHOULD NOT BE USED WITHOUT WRITTEN PERMISSION													
EC NO: 118757 DRWN: TMIYAZAKI CHK'D: KTAKAHASHI APPR: MSASAO	2017/06/29	2017/06/29	2017/06/30	GENERAL TOLERANCES (UNLESS SPECIFIED) ANGULAR TOL ± 1.0 ° 4 PLACES ± 3 PLACES ± 2 PLACES ± 1 PLACE ± 0 PLACES ±	DIMENSION UNITS	SCALE							
					MM	15:1							
					DRWN BY	DATE				TMIYAZAKI	2017/05/25		
					4 PLACES ±	3 PLACES ±	2 PLACES ±	1 PLACE ±	0 PLACES ±	CHK'D BY	DATE	KTAKAHASHI	2017/06/08
					3 PLACES ±	2 PLACES ±	1 PLACE ±	0 PLACES ±	APPR BY	DATE	MSASAO	2017/06/09	
					2 PLACES ±	1 PLACE ±	0 PLACES ±	DRAWING SIZE	THIRD ANGLE PROJECTION	PRODUCT CUSTOMER DRAWING			
			1 PLACE ±	0 PLACES ±	A3			SERIES	MATERIAL NUMBER	CUSTOMER			
			0 PLACES ±	DRAFT WHERE APPLICABLE MUST REMAIN WITHIN DIMENSIONS				503548	SEE SHEET 1	GENERAL			
								DOCUMENT NUMBER	DOC TYPE	DOC PART	SHEET NUMBER		
								5035481000	PSD	003	2 OF 2		