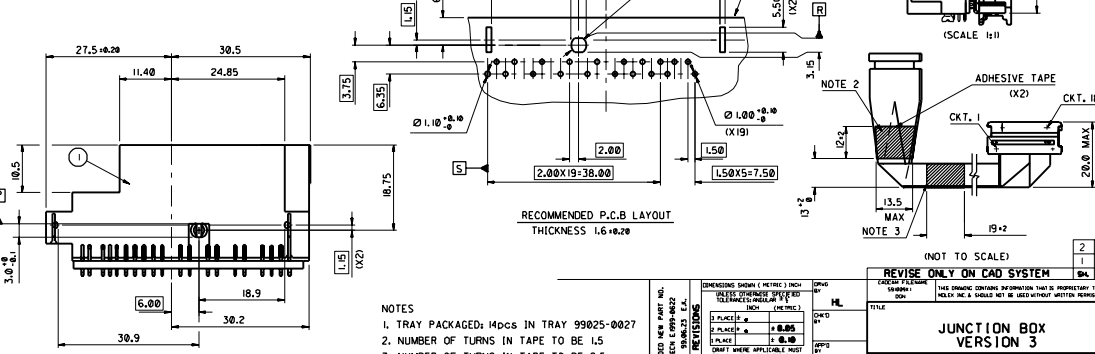


REF. NO.	COMPONENT	QUANTITY	MADE FROM	REMARKS
1	HOUSING	1	ULTRAMID B3W6(30X)	COLOUR:BLACK
2	LEVEL A&B CONTACT	16	Bd 0.5 DIN 1791 CuZn37 F54 DIN 17670	3-5 μm SnPd OVER L27 μm MIN. Ni UNDERCOAT OVERALL
3	LEVEL C CONTACT	**		
4	FUSE CONTACT	2	CuSn8 0.7 FB40 DIN 1780	
5	DIRECT GROUNDING	1	Bd 0.8 DIN 1791 CuZn30 F35 DIN 17670	
6	UPPER BO-BD CONTACT	10	Bd 0.5 DIN 1791 CuZn37 F54 DIN 17670	
7	LOWER BO-BD CONTACT	9		
8	CLINCH	2	Bd 0.5 DIN 1544 ST2LGBK DIN1624 T52 E 1L27 1L2 DIN1616	3-5μm SnPd OVERALL
9	CABLE HOLDER	**	FA 66 UL94V-0	COLOUR:NATURAL
10	PCB	1	FR4 1.6mm	UARN-0033, SEE NOTE 4
11	GATEWAY PIN	2	CuZn30 F43 DIN17672	
12	FUSE	1	FORM C	DIN 72 581-C10
13	JUMPER HARNESS	**	RIBBON CABLE HARNESS	L27 μm Ni/WN UNDERCOAT OVERALL SOLDER AREA; 3-5 μm SnPd
14	ID LABEL	1		LABEL TO SHOW DATE OF MANUFACTURE AND LAST 4 DIGITS OF CUSTOMER PART NO.



2 17
1 AB
MOLIX EUROPE
SHEET NO. DATE
02 95/05/25
21
SEE CHART
S0A-91009
100388

** OPTION DEPENDENT

- NOTES
1. TRAY PACKAGED; 16pcs IN TRAY 99025-0027
 2. NUMBER OF TURNS IN TAPE TO BE 1,5
 3. NUMBER OF TURNS IN TAPE TO BE 2,5
 4. SEE SHEET 2 FOR PCB COLOUR-CODING.

REVISE ONLY ON CAD SYSTEM

DATE: 95/05/25

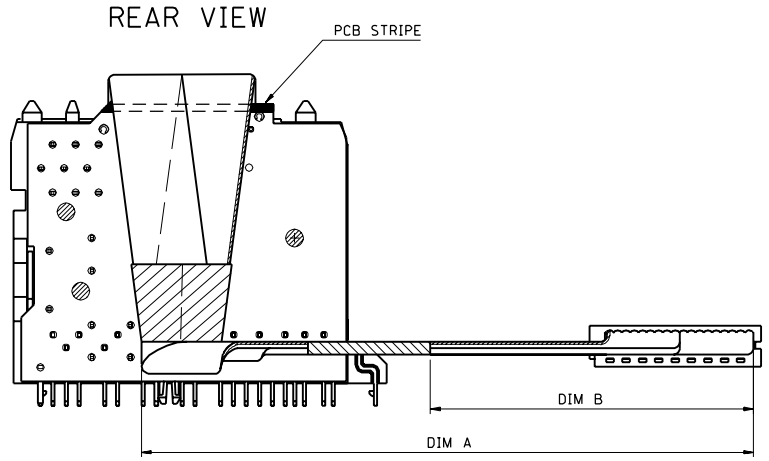
SCALE: 2:1

FILE: S0A-91009

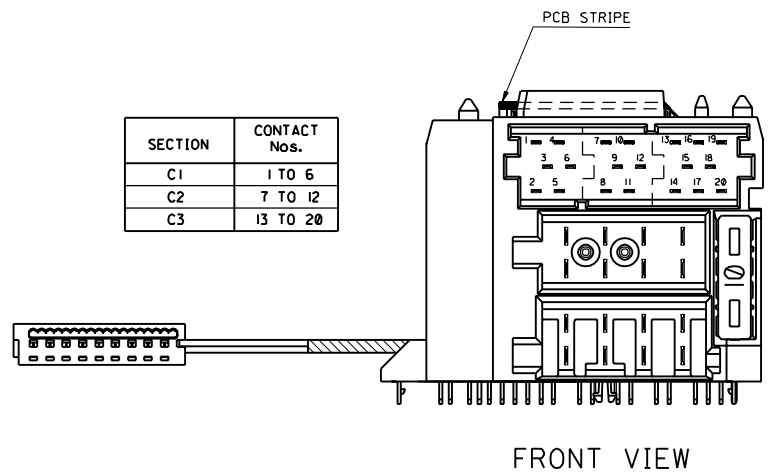
DATE: 95/05/25

SCALE: 2:1

FILE: S0A-91009



PART NO.	CUST. REF. No.	NUMBER OF 'C' LEVEL CONTACTS	SECTIONS PRESENT	DIM 'A' ±2.0	DIM 'B'	CABLE HLDR. CKT. SIZE	CABLE HARNS. CKT. SIZE	CUSTOMER PCB REF NUMBER	STRIPE COLOUR
91009-0001	3111-117-1174	20	C1, C2, C3	95	50 ±5	18	18		
91009-0004	3111-117-1175	0							
91009-0005		6	C1	82	50 ±5	18	18		
91009-0006		6	C2	82	50 ±5	18	18		
91009-0007		8	C3	82	50 ±5	18	18		
91009-0008		12	C1, C2	82	50 ±5	18	18		
91009-0009		14	C1, C3	82	50 ±5	18	18		
91009-0010		14	C2, C3	82	50 ±5	18	18		
91009-0011	3111-117-1182	20	C1, C2, C3	82	50 ±5	18	18		
91009-0012	3111-117-1187	0						3111-113-3711	NONE
91009-0013	3111-117-1188	20	C1, C2, C3	79	45 ±5	18	18	3111-113-3711	NONE
91009-0014	3111-117-1189	0						3111-113-3712	WHITE
91009-0015	3111-117-1190	20	C1, C2, C3	79	45 ±5	18	18	3111-113-3713	BLACK
91009-0020	3111-117-1328	20	C1, C2, C3	79	45 ±5	18	18	3111-113-3777	NONE



A7 SEE SHEET 1	LTR REVISIONS	DIMENSIONS SHOWN (METRIC) INCH UNLESS OTHERWISE SPECIFIED TOLERANCES ANGULAR ± 9	DRWG BY HL	REVISE ONLY ON CAD SYSTEM		SHL REV.
		3 PLACE ± . 2 PLACE ± . 1 PLACE ±	CHKD BY	CAD/CAM FILENAME SPRBR02 DCA		THIS DRAWING CONTAINS INFORMATION THAT IS PROPRIETARY TO MOLEX INC. & SHOULD NOT BE USED WITHOUT WRITTEN PERMISSION
		DESIGN DIMENSION (PRIMARY) <input type="checkbox"/> IN. <input type="checkbox"/> MM EQUIVALENT DIMENSION (SECONDARY) <input type="checkbox"/> IN. <input type="checkbox"/> MM	APPD BY	TITLE JUNCTION BOX VERSION 3		
		SCALE 2:1	SCALE	MOLEX EUROPE		SHEET NO. DATE 20F2 95/10/26
PART NO. SEE CHART		DWG NO. SDA-91009		SIZE C		