

Customer Information Sheet

DRAWING No.: MI35X-XX

SHEET 2 OF 2

IF IN DOUBT - ASK

©

NOT TO SCALE

THIRD ANGLE PROJECTION

ALL DIMENSIONS IN mm

Ø SPECIFICATIONS:

MATERIALS:

MOULDING = PA66 UL94V-2

CONTACT = PHOSPHOR BRONZE

FINISH:

MI352-XX = 0.76µ GOLD OVER 1.2-2.5µ NICKEL

MI353-XX = 5µ 100% TIN OVER 1.2-2.5µ NICKEL

ELECTRICAL:

CURRENT RATING = 5 AMPS

VOLTAGE RATING = 1,500 VRMS

CONTACT RESISTANCE = 5mΩ MAX (GOLD)

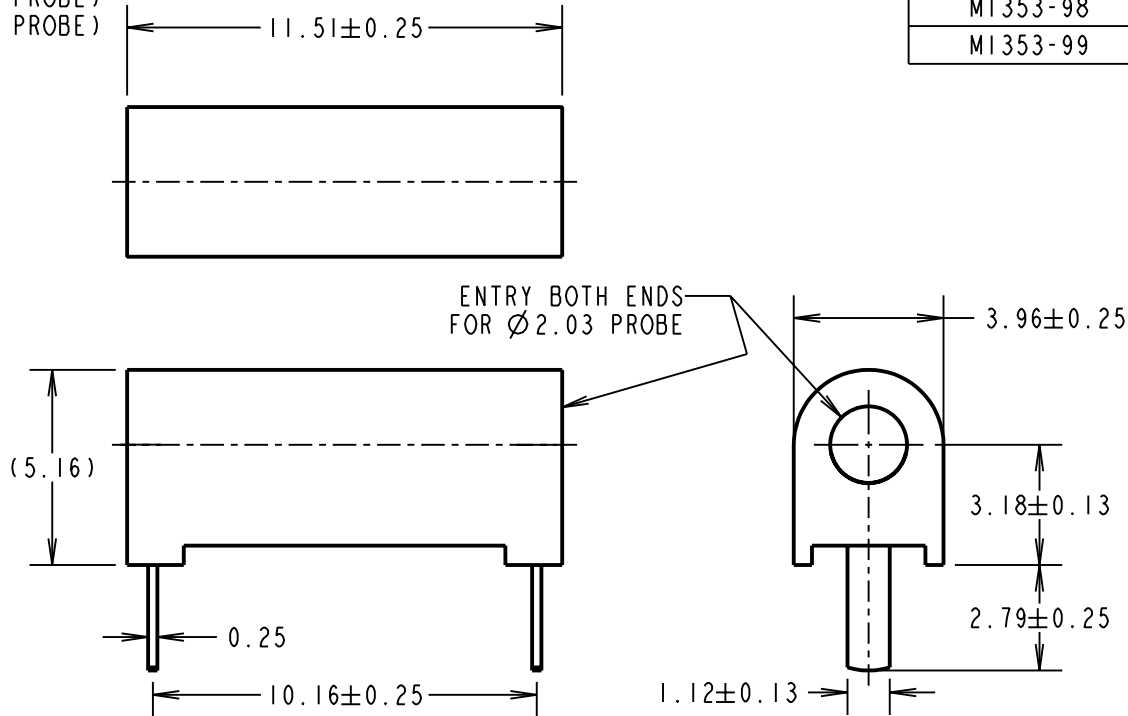
MECHANICAL:

INSERTION FORCE = 22.2N MAX (Ø2.03mm PROBE)

WITHDRAWAL FORCE = 2.2N MIN (Ø2.03mm PROBE)

DURABILITY - 100 CYCLES

| HARWIN PART No. | COLOUR | FINISH |
|-----------------|--------|--------|
| MI352-94 | WHITE | GOLD |
| MI352-98 | BLACK | GOLD |
| MI352-99 | RED | GOLD |
| MI353-94 | WHITE | TIN |
| MI353-98 | BLACK | TIN |
| MI353-99 | RED | TIN |



| | | | |
|----------------|------|--------------|--------|
| RA | 4 | 25.11.09 | 10577 |
| NAME | ISS. | DATE | C/NOTE |
| APPROVED: | | R. ADDE | |
| CHECKED: | | M.G. PLESTED | |
| DRAWN: | | R. ADDE | |
| CUSTOMER REF.: | | | |
| ASSEMBLY DRG: | | | |

HARWIN

HARWIN USA
TEL: 603 893 5376
FAX: 603 893 5396
mis@harwin.com

HARWIN Europe (UK)
TEL: 023 9231 4545
FAX: 023 9231 4590
mis@harwin.co.uk

HARWIN Asia
TEL: +65 6 779 4909
FAX: +65 6 779 3868
mis@harwin.com.sg

THIS DRAWING AND ANY INFORMATION OR DESCRIPTIVE MATTER SET OUT HEREON ARE CONFIDENTIAL AND COPYRIGHT PROPERTY OF THE HARWIN GROUP AND MUST NOT BE DISCLOSED, LOANED, COPIED OR USED FOR MANUFACTURING, TENDERING OR FOR ANY OTHER PURPOSE WITHOUT THEIR WRITTEN PERMISSION.

TOLERANCES

X. = ±1mm
X.X = ±0.25mm
X.XX = ±0.10mm
X.XXX = ±0.01mm

ANGLES = ±5°

UNLESS STATED

MATERIAL:

SEE ABOVE

FINISH: SEE ABOVE

S/AREA: mm²

TITLE:

P.C. MOUNTED TEST JACK

DRAWING NUMBER:

MI35X-XX

SHT
2 OF 2