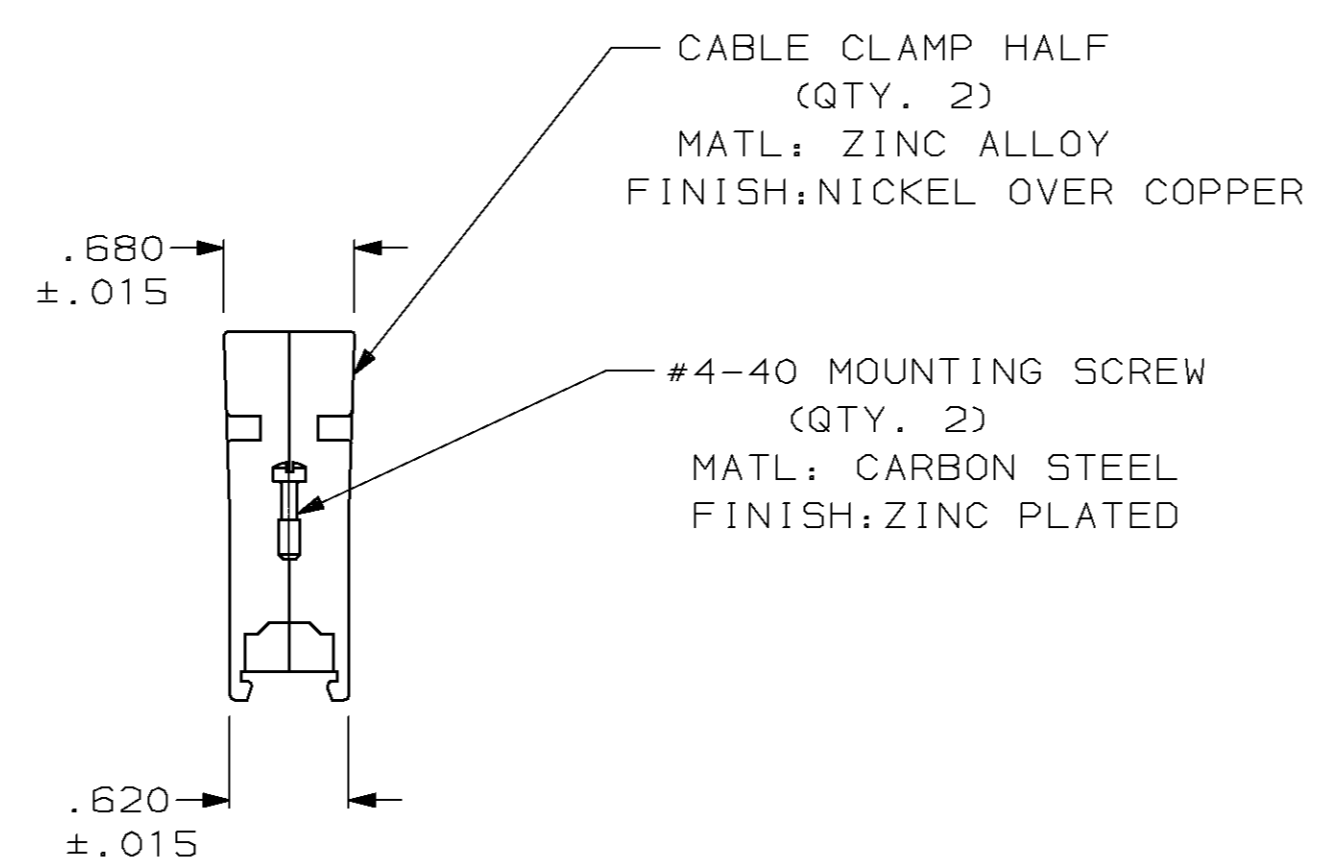
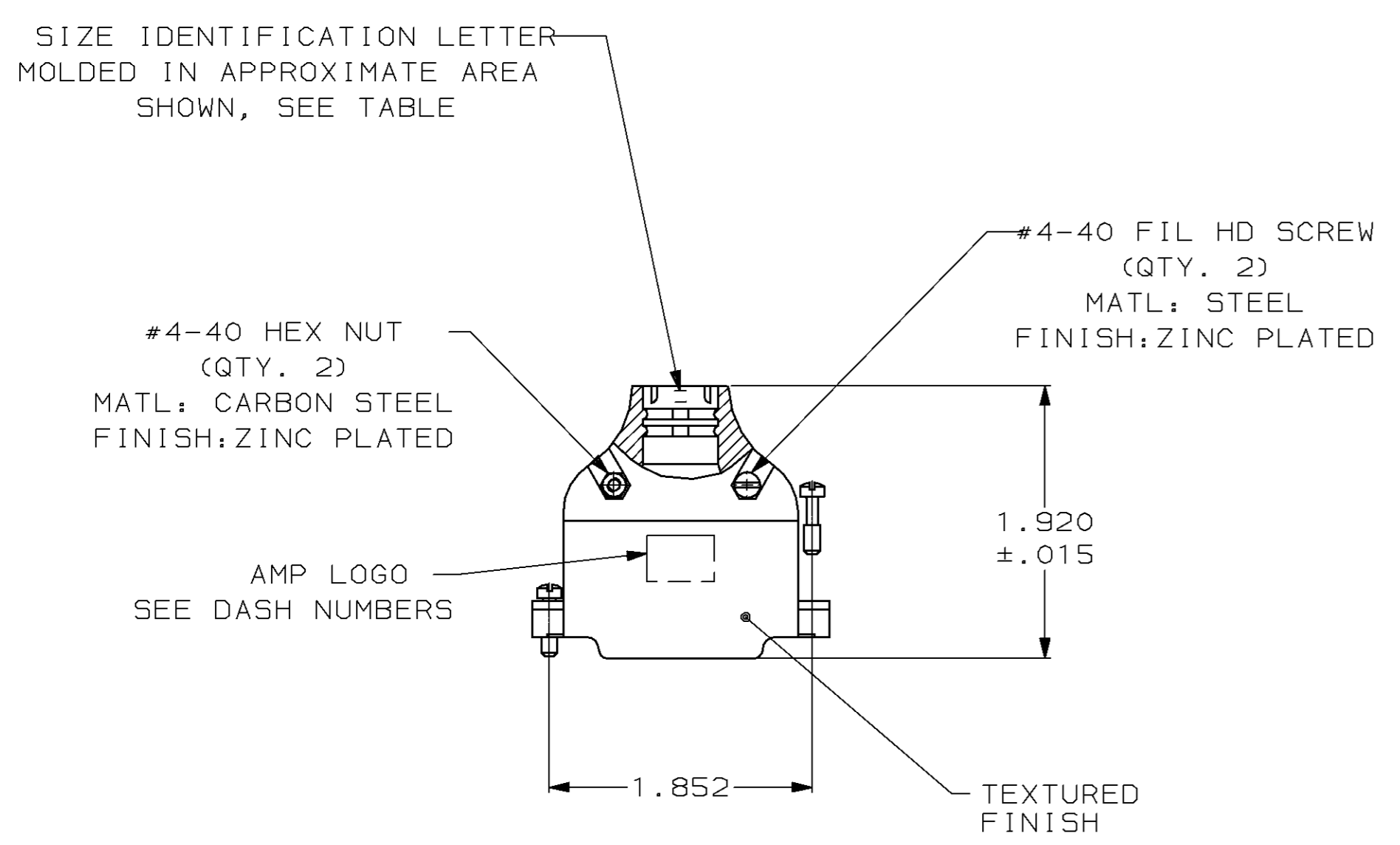
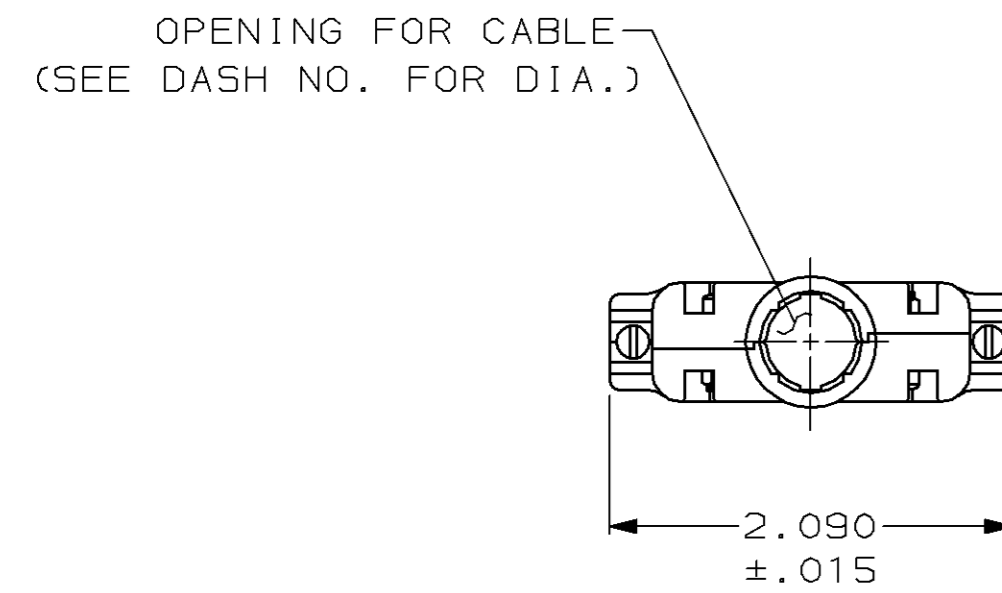


LOC		DIST		P		ZONE		LTR		REVISIONS		
BD	48									DESCRIPTION	DATE	APPD
									F	REDRAWN	6/28/90	-
									G	OBS -19 PER EC 0020-1534-93	04/14/94	PR
									H	REV PER EC 0020-309-95	05/04/95	JS
									J	REV PER EC 0020-881-95	25 AUG 95	JS
									K	OBSOLETED -11, -13 PER EC 0020-780-95	06 FEB 96	CS



PACKAGING	NECK SIZE IDENT	AMP LOGO	CABLE HARDWARE DIA	MAX CABLE DIA	PART NO.
W/O LOGO	2		.280		3-745173-6
W/O LOGO	2		.280		3-745173-5
W/O LOGO	3		.350		3-745173-4
W/O LOGO	3		.430		3-745173-3
W/O LOGO	3		.480		3-745173-2
W/O LOGO	3		.530		3-745173-1
W/LOGO	3		.280		3-745173-0
W/LOGO	3		.350		2-745173-9
W/LOGO	3		.430		2-745173-8
W/LOGO	3		.480		2-745173-7
W/LOGO	3		.530		2-745173-6
W/LOGO	2		.280		2-745173-5
W/LOGO	2		.350		2-745173-4
W/LOGO	2		.430		2-745173-3
W/LOGO	2		.480		2-745173-2
W/LOGO	2		.530		2-745173-1
W/O LOGO	3		.280		2-745173-0
W/O LOGO	3		.350		1-745173-9
W/O LOGO	3		.430		1-745173-8
W/O LOGO	3		.480		1-745173-7
W/O LOGO	3		.530		1-745173-6
W/LOGO	3		.280		1-745173-5
W/LOGO	3		.350		1-745173-4
W/LOGO	3		.430		1-745173-3
W/LOGO	3		.480		1-745173-2
W/LOGO	3		.530		1-745173-1
W/O LOGO	2		.280		745173-5
W/LOGO	2		.350		745173-4
W/LOGO	2		.430		745173-3
W/LOGO	2		.480		745173-2
W/LOGO	2		.530		745173-1
OBSOLETE	4	K	.430		1-745173-3
OBSOLETE	4		.480		1-745173-2
OBSOLETE	4	P	.530		1-745173-1
OBSOLETE	4		.280		1-745173-0
	4	D	.280		745173-5
	4	G	.350		745173-4
	4	K	.430		745173-3
	4	M	.480		745173-2
	4	P	.530		745173-1

- PARTS PACKAGED UNASSEMBLED.
- WITH ALL HARDWARE.
- WITHOUT MOUNTING SCREWS.
- PARTS PACKAGED AS A UNIT KIT.
- PARTS INDIVIDUALLY BULK PACKED AND SHIPPED AS A UNIT PACKAGE.

DO NOT SCALE PRINT. UNLESS SPECIFIED DIMENSIONS IN MILLIMETERS TOLERANCES ON: 2 PLC DEC ± - 3 PLC DEC ± .005 ANGLES ± -	DR 6/28/90 A. STAUB BG CHK 9-10-90 J. McCLINTON APPD 9-11-90 B. TAYLOR APPD 9-11-90 J. ASSINI	AMP INCORPORATED Harrisburg, Pa. 17105	
SEE CALLOUTS	PRODUCT SPEC	NAME CABLE CLAMP KIT, SIZE 3, 180° AMPLIMITE™	
FINISH SEE CALLOUTS	APPLICATION SPEC	SIZE D 00779	DRAWING NO 745173
	WEIGHT	SCALE 1:1	SHEET 1 OF 1