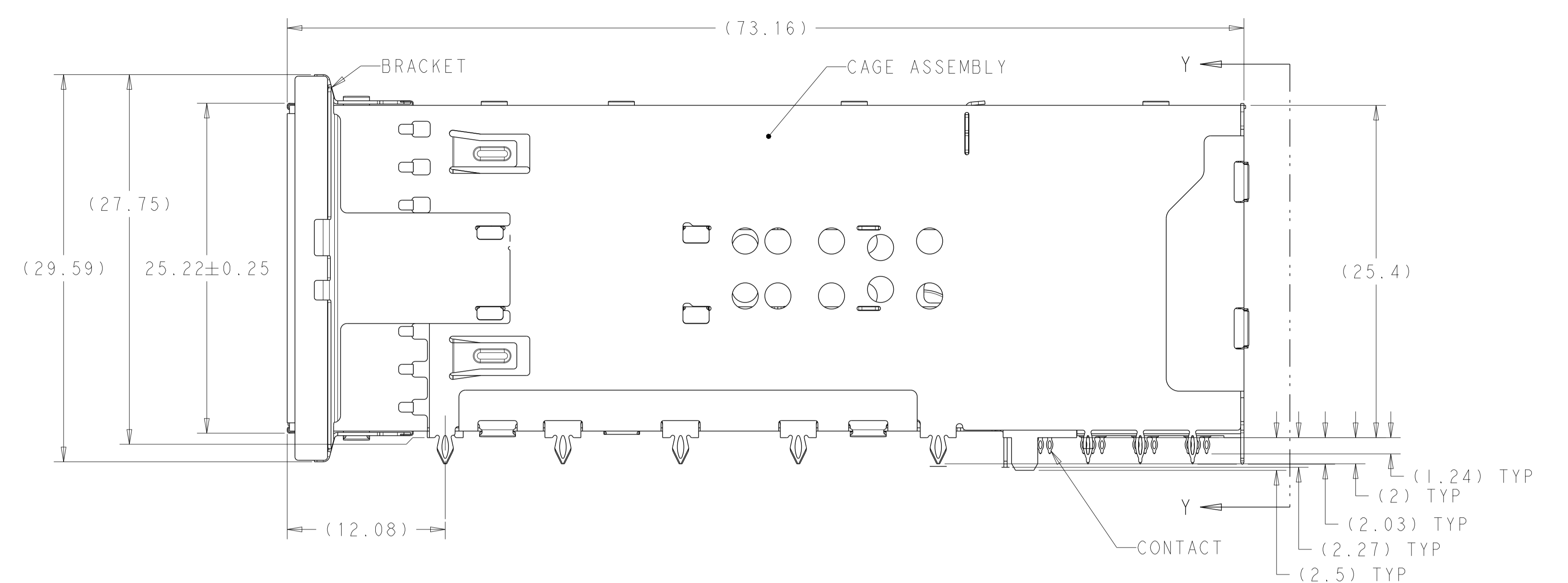
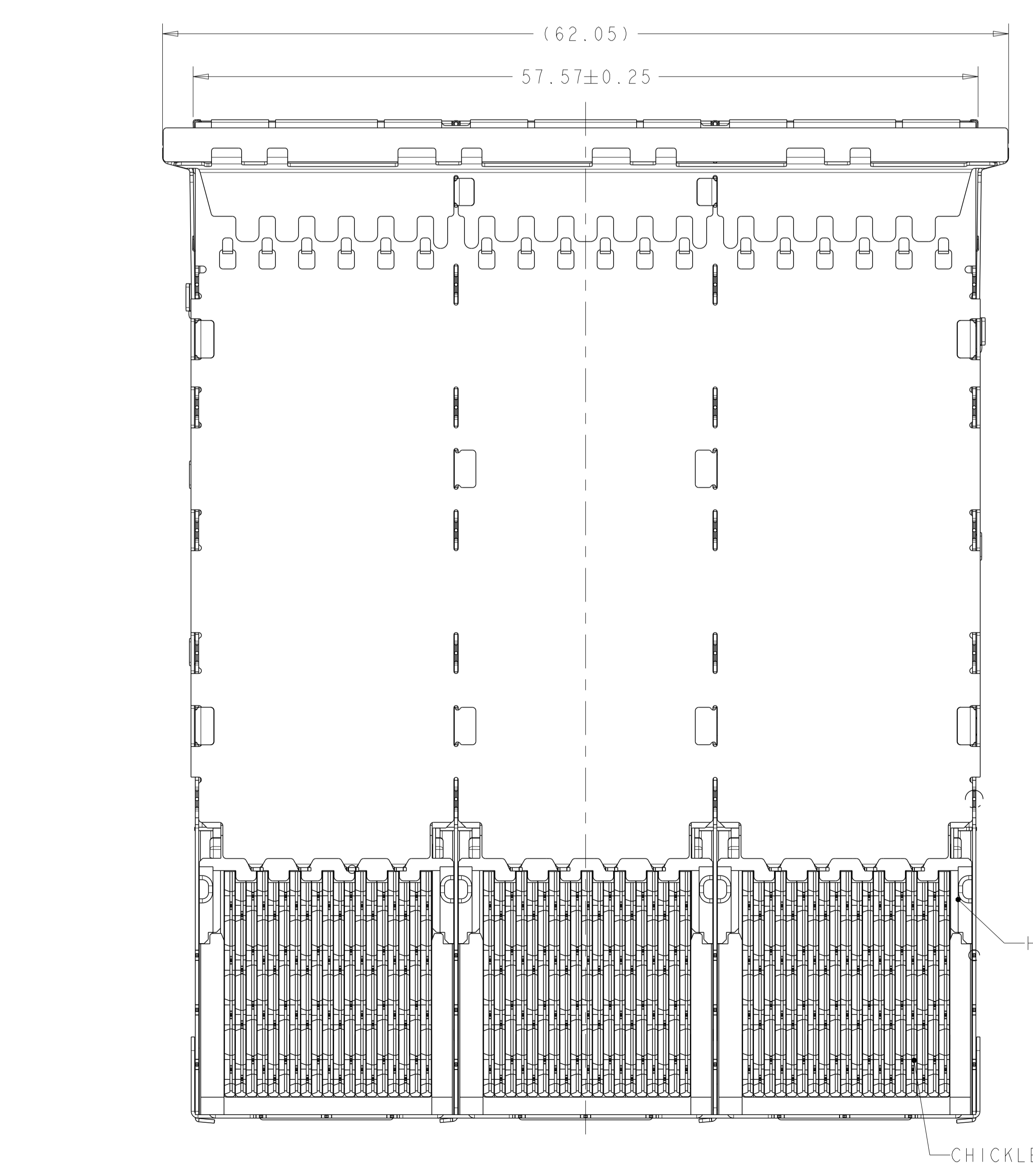
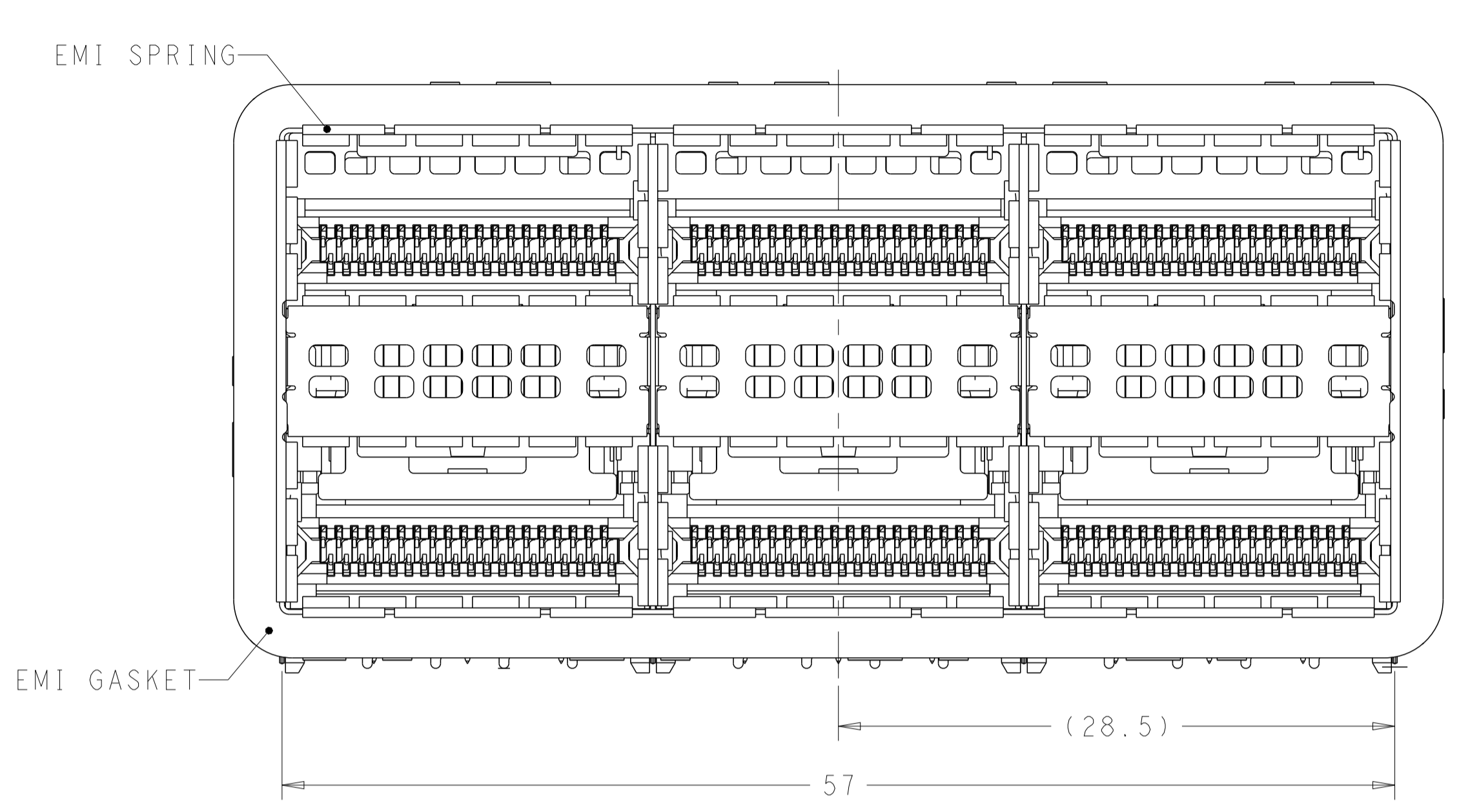


LOC	DIST	REVISIONS			
P	LTN	DESCRIPTION	DATE	DWN	APVD
A		RELEASED FOR PRODUCTION	01MAR2016	TX	SH
A1		REVISED PER ECN-22-163746	11JUL2022	IT	SZ



- MATERIALS:
 CAGE ASSEMBLY- NICKEL SILVER ALLOY PER ASTM B 122.
 BRACKET- NICKEL SILVER ALLOY PER ASTM B 122.
 EMI SPRING- COPPER ALLOY, NICKEL PLATED.
 EMI GASKET- PLATED FILLED SILICONE.
 HOUSING- POLYESTER LCP WITH 94 V-0.
 CHICKLET- POLYESTER LCP WITH 94 V-0.
 CONTACT- COPPER ALLOY.
 LIGHTPIPE- POLYCARBONATE WITH 94 V-0.
- CONTACT FINISH: 0.76µm GOLD ON MATING END, 1.25µm TIN ON SOLDER TAIL, ALL OVER 1.27µm NICKEL.
- DATUM AND BASIC DIMENSION ESTABLISHED BY CUSTOMER.
- MINIMUM PCB THICKNESS OF 1.57.
- THE ENTIRE AREA OF THE CONNECTOR FOOTPRINT, INDICATED BY THE DASHED LINE, TO BE CONSIDERED THE KEEPOUT AREA FOR COMPONENTS.
- CROSS-HATCHED AREAS REPRESENT ZONES ON THE PCB THAT COME IN CONTACT WITH OR BE IN CLOSE PROXIMITY TO THE PLASTIC HOUSING OR THE CONNECTOR CAGE. INDICATED AREAS TO BE CONSIDERED TRACE FREE.
- PART NUMBER AND DATE CODE MARKED IN APPROXIMATE AREA SHOWN.
- HATCHED AREA IS PLACEMENT ZONE FOR LED. LED SHOULD BE CENTERED WITHIN ZONE. RECOMMEND 0805 PACKAGE.
- CONTACT FINISH: 0.08µm MINIMUM GOLD OVER 0.68µm PALLADIUM-NICKEL ON MATING END, 1.25µm TIN ON SOLDER TAIL, ALL OVER 1.27µm NICKEL.

CONTACT FINISH	DESCRIPTION	PART NUMBER
9	LEFT INDICATOR DOWN	2214565-6
9	LEFT INDICATOR UP	2214565-5
9	NO LIGHTPIPE	2214565-4
2	LEFT INDICATOR DOWN	2214565-3
2	LEFT INDICATOR UP	2214565-2
2	NO LIGHTPIPE	2214565-1

THIS DRAWING IS A CONTROLLED DOCUMENT. DIMENSIONING AND TOLERANCING PER ASME Y14.5M-2009.

OWN: M. SHIRK 27FEB2012
 CHK: D. SZCZESNY 27FEB2012
 APVD: -

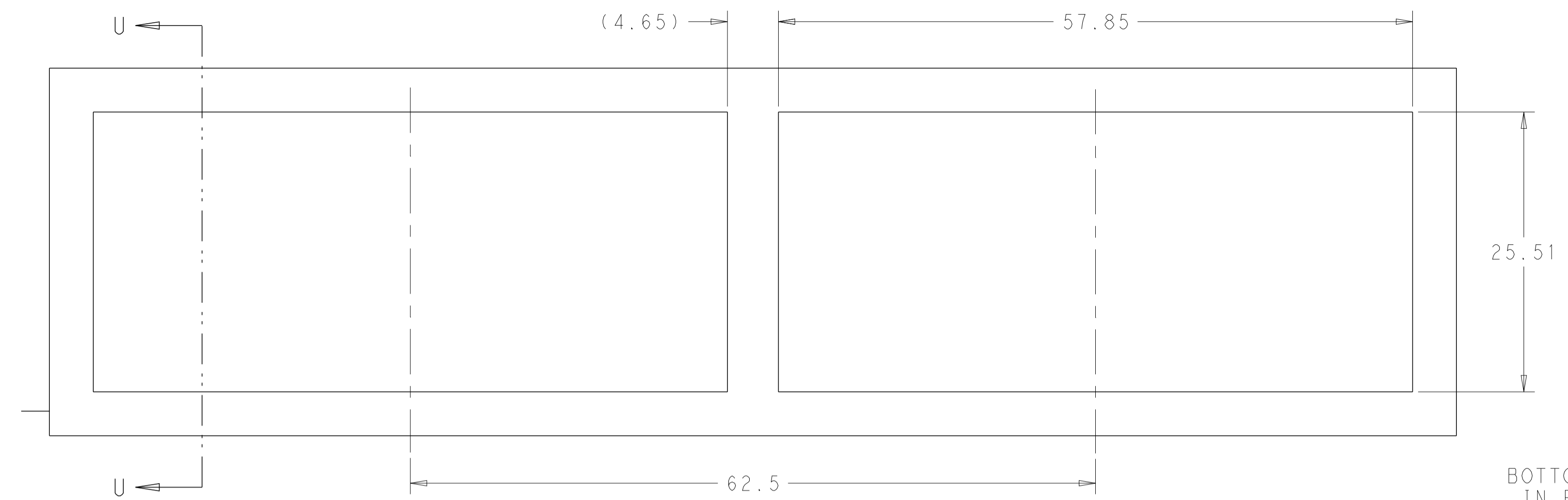
PRODUCT SPEC: 108-60102
 APPLICATION SPEC: 114-60015
 WEIGHT: -

SCALE: 4:1 SHEET 1 OF 4 REV: A1

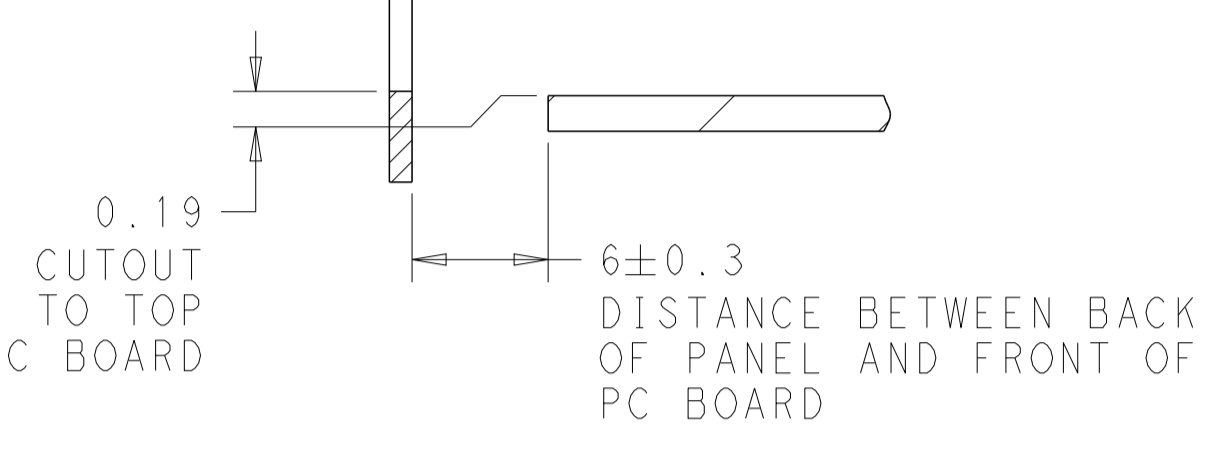
STE TE Connectivity
 CAGE AND CONNECTOR ASSEMBLY, WITH EMI GASKET, 2X3, ZQSFP+ STACKED

100779C=2214565

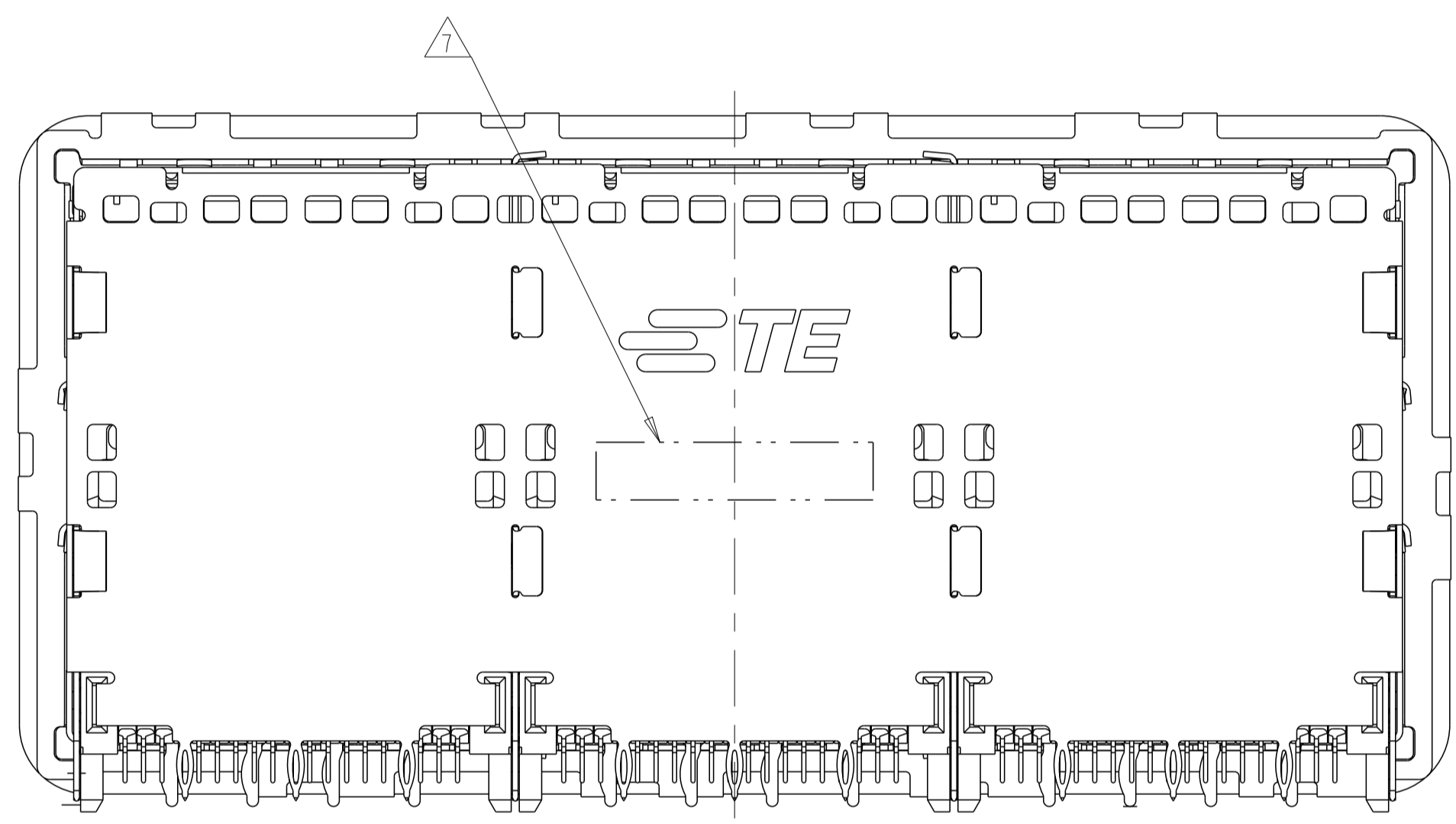
LOC	DIST	REV	DATE	BY	APPV
		1			
		2			
		3			
		4			



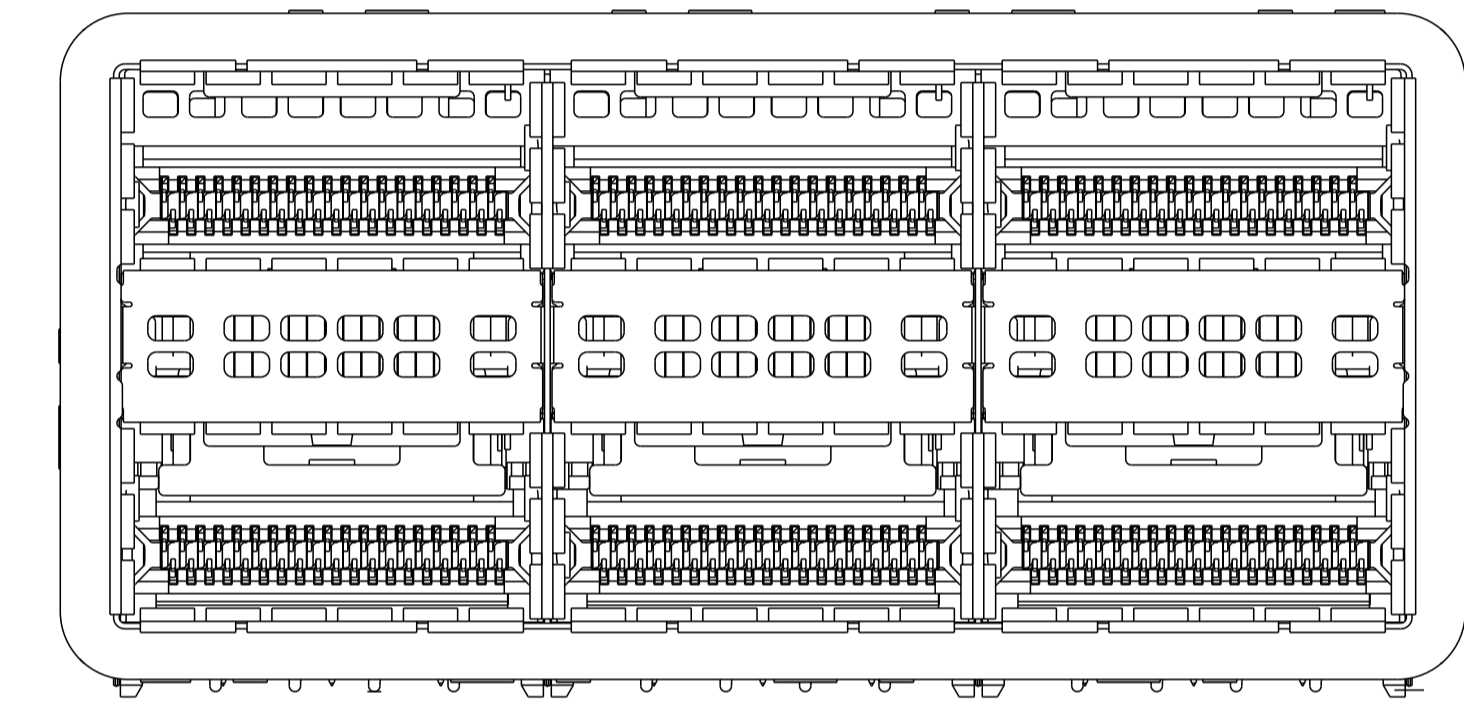
RECOMMENDED PANEL CUTOUT AND PC BOARD, PANEL POSITION
 SCALE 3:1



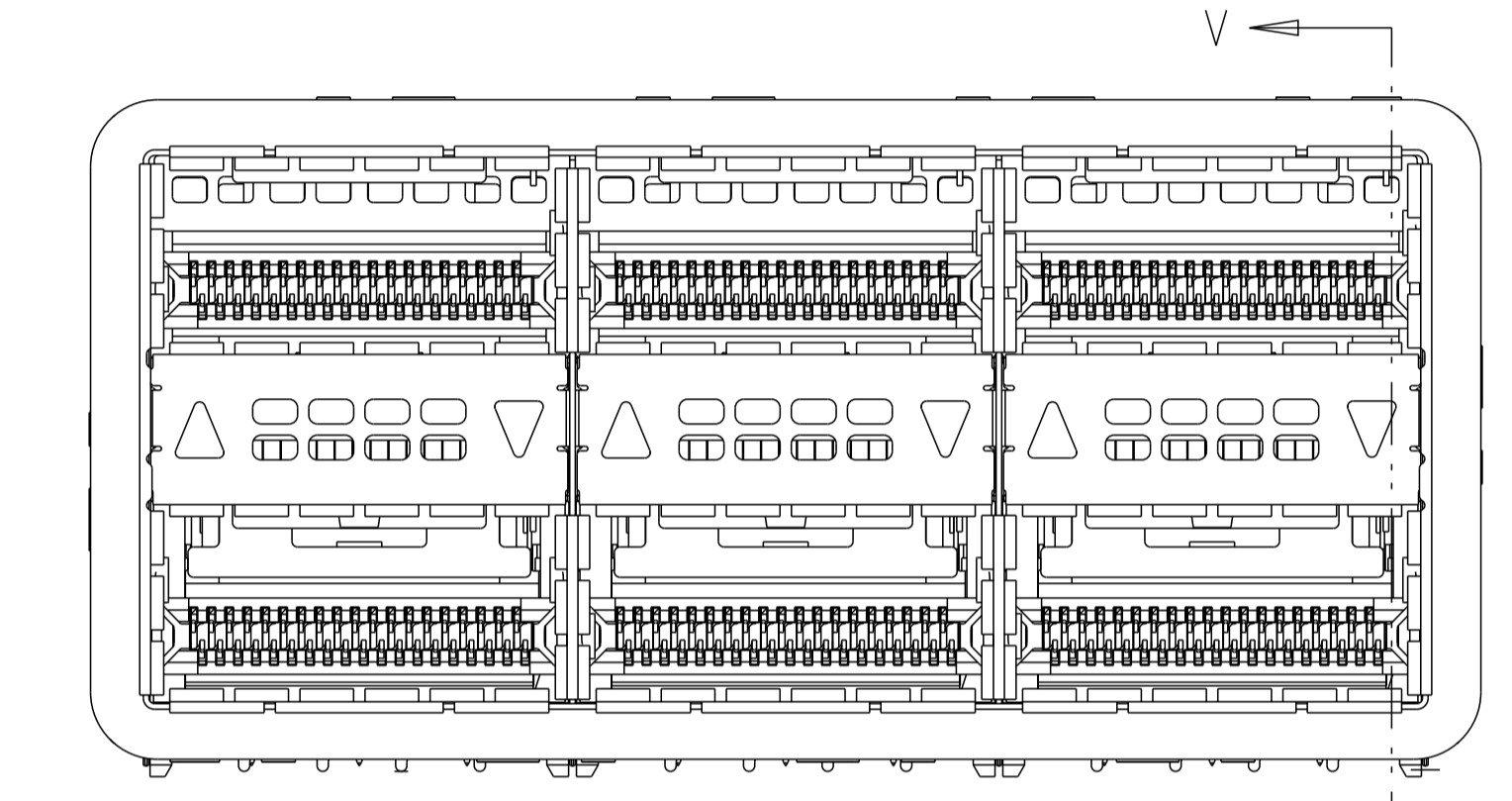
SECTION U-U



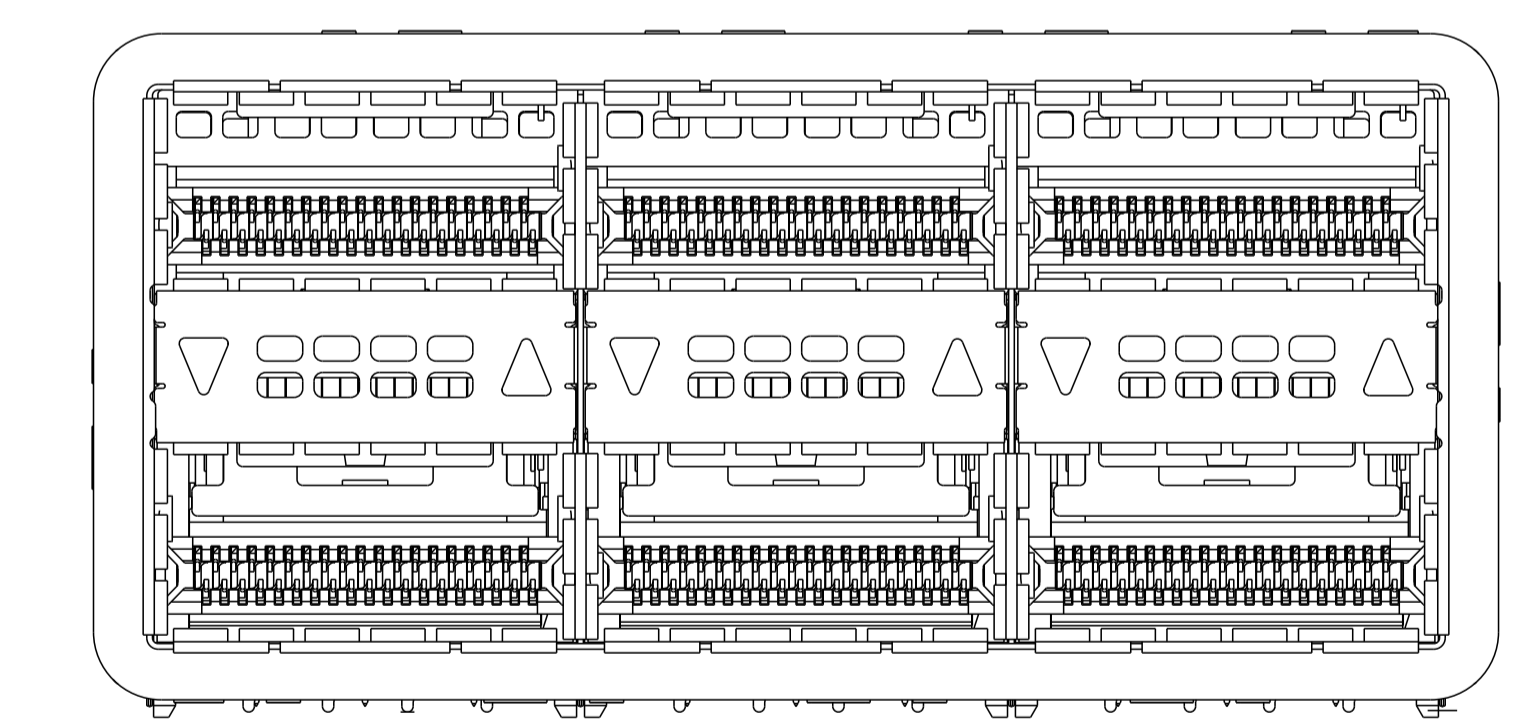
VIEW Y-Y



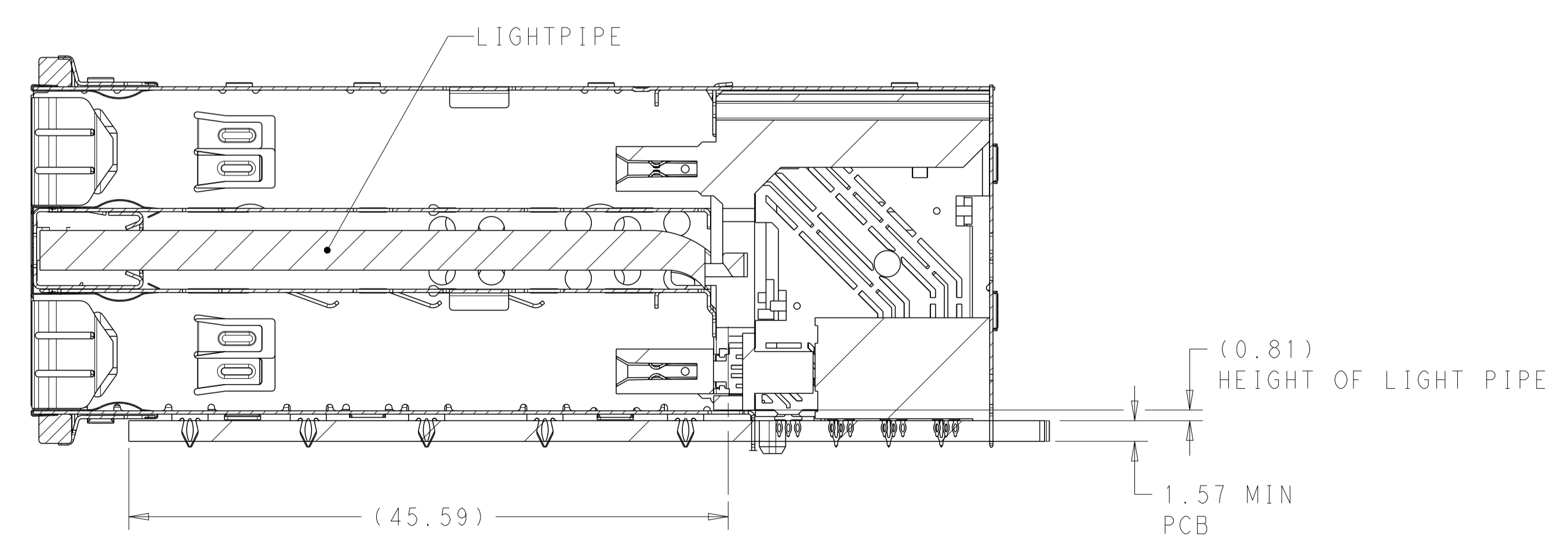
2214565-1 / 2214565-4
 NO LIGHTPIPE IN ASSEMBLY
 SCALE 3:1



2214565-2 / 2214565-5
 LEFT LIGHTPIPE INDICATOR POINTING TO UPPER PORT
 SCALE 3:1



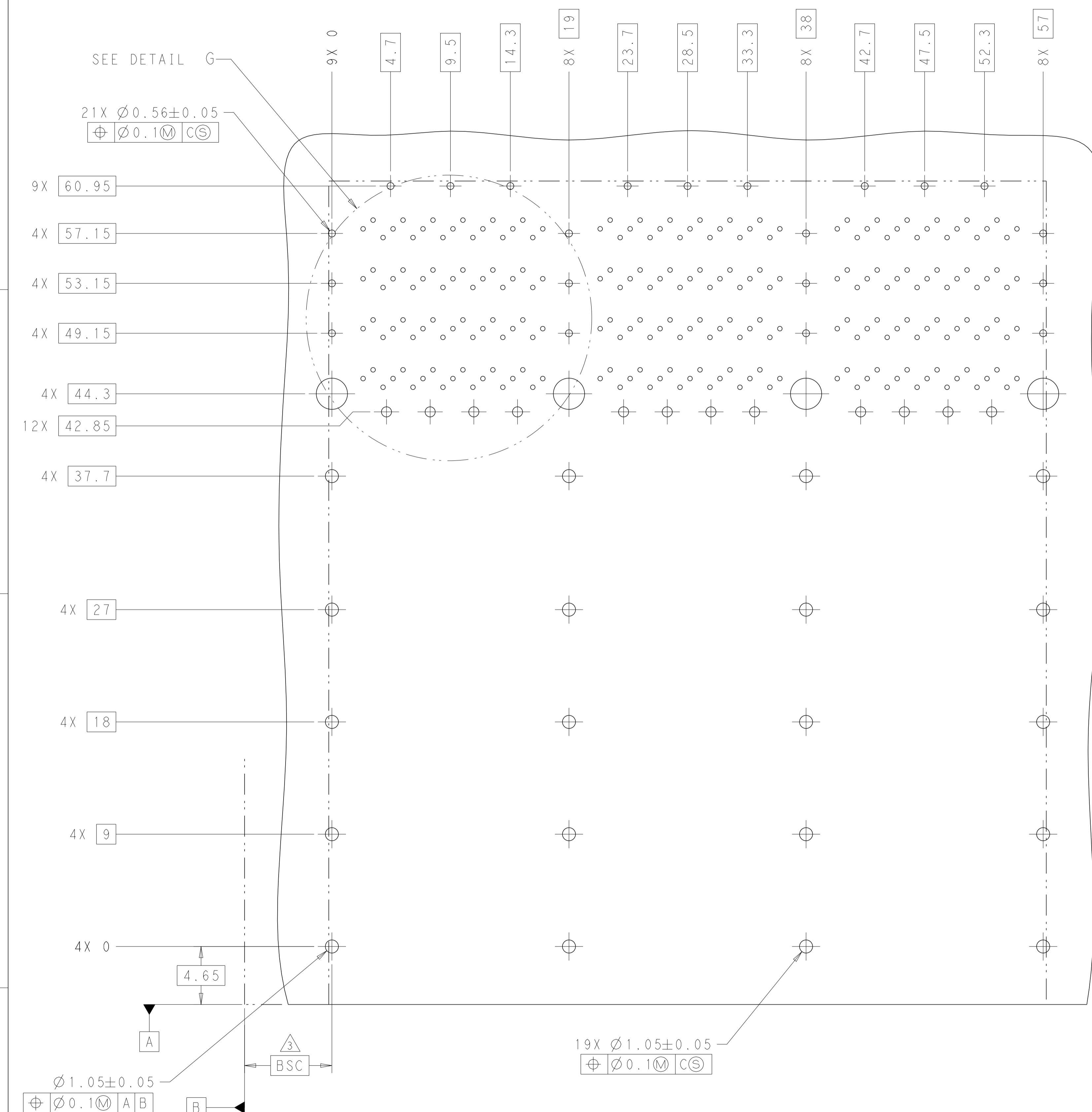
2214565-3 / 2214565-6
 LEFT LIGHTPIPE INDICATOR POINTING TO LOWER PORT
 SCALE 3:1



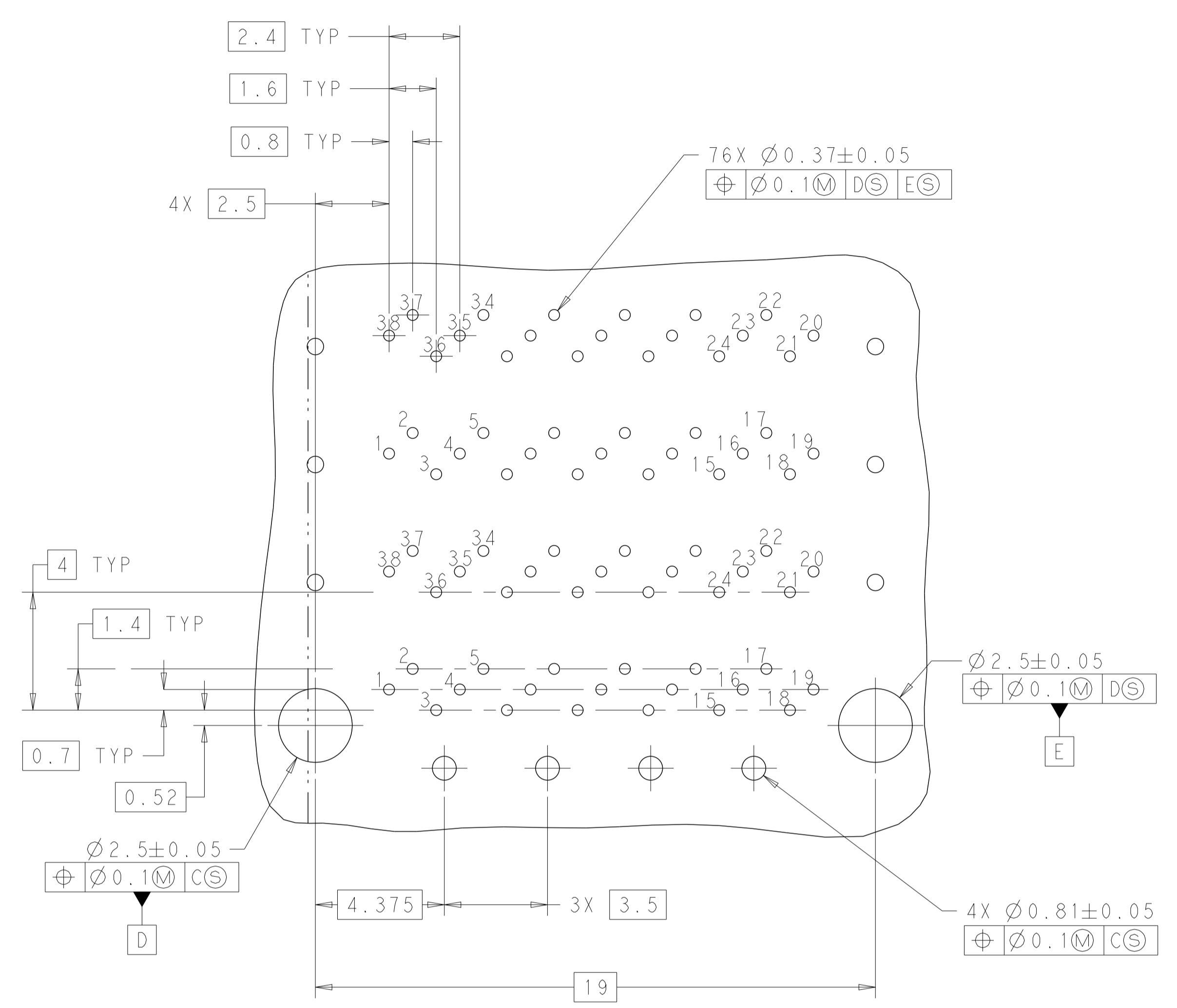
SECTION V-V
 SCALE 3:1

THIS DRAWING IS A CONTROLLED DOCUMENT. DIMENSIONING AND TOLERANCING PER: ASME Y14.5M-2009		DWN: M. SHIRK 27FEB2012 CHK: D. SZCZESNY 27FEB2012 APVD:	TE Connectivity NAME: CAGE AND CONNECTOR ASSEMBLY, WITH EMI GASKET, 2X3, ZQSFP+ STACKED
DIMENSIONS: mm 	TOLERANCES UNLESS OTHERWISE SPECIFIED: 0 PLC ± 1 PLC ±0.25 2 PLC ±0.15 3 PLC ± 4 PLC ± ANGLES ± FINISH:	PRODUCT SPEC: 108-60102 APPLICATION SPEC: 114-60015 WEIGHT:	
MATERIAL: SEE NOTE 1	FINISH: SEE NOTE 2	CUSTOMER DRAWING	SCALE: 4:1 SHEET: 2 OF 4 REV: A1

LOC	DIST	REVISIONS			
P	LTM	DESCRIPTION	DATE	DMN	APVD
rev_sym_1	18E6	8H6E111		rev_defect	dmn_bppr_1
rev_sym_2	rev_desc_2			rev_defect	dmn_bppr_2
rev_sym_3	rev_desc_3			rev_defect	dmn_bppr_3
rev_sym_4	rev_desc_4			rev_defect	dmn_bppr_4



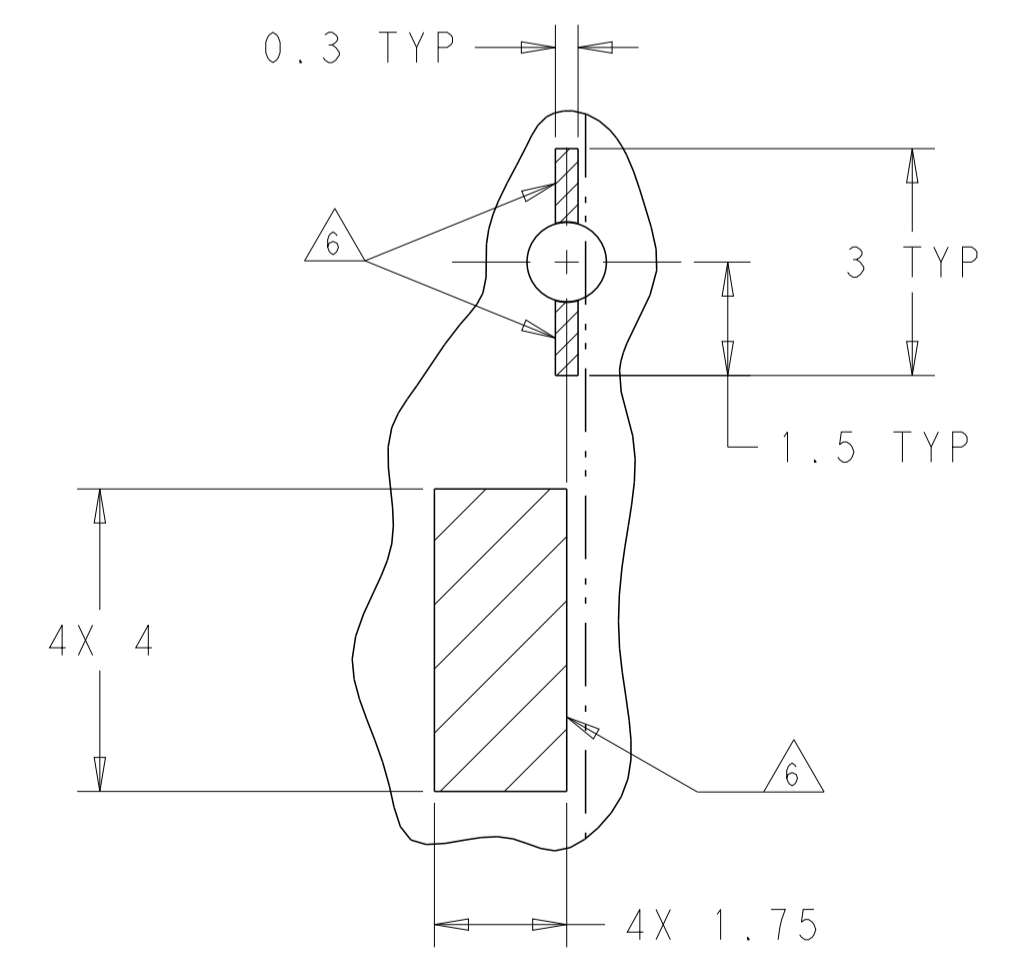
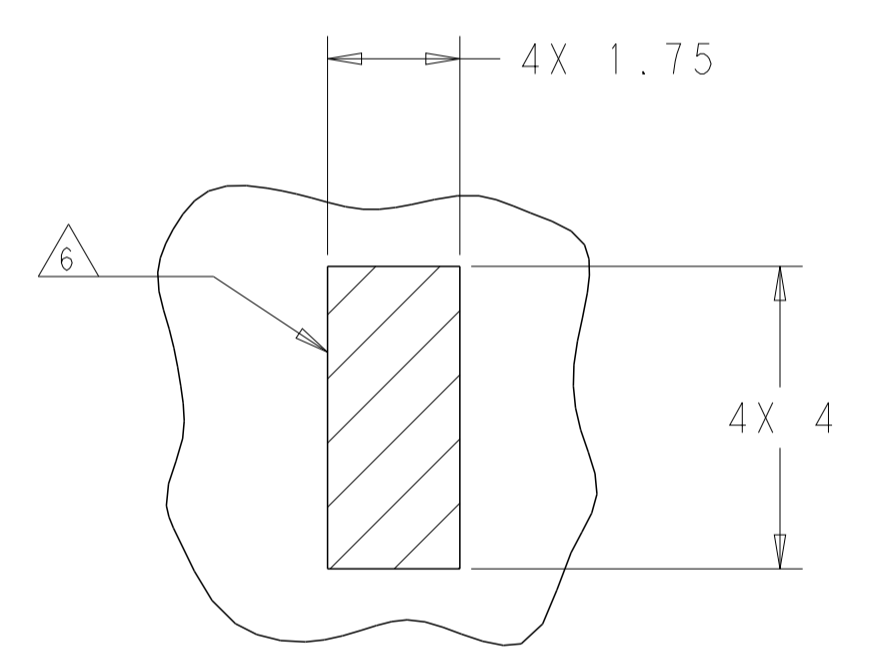
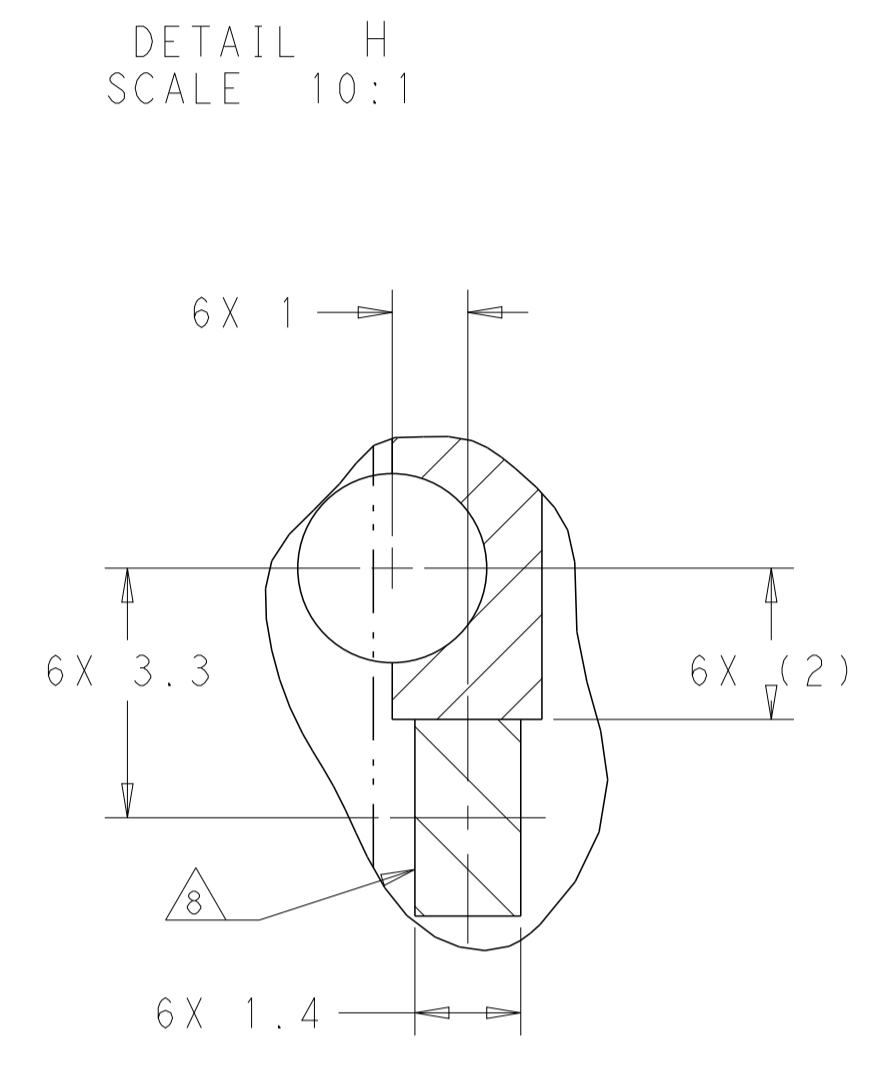
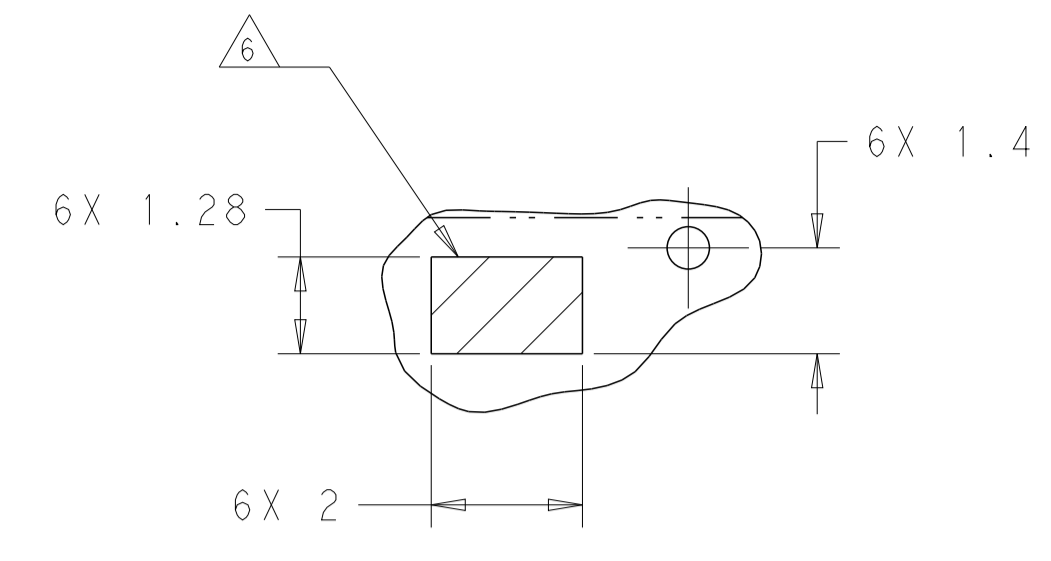
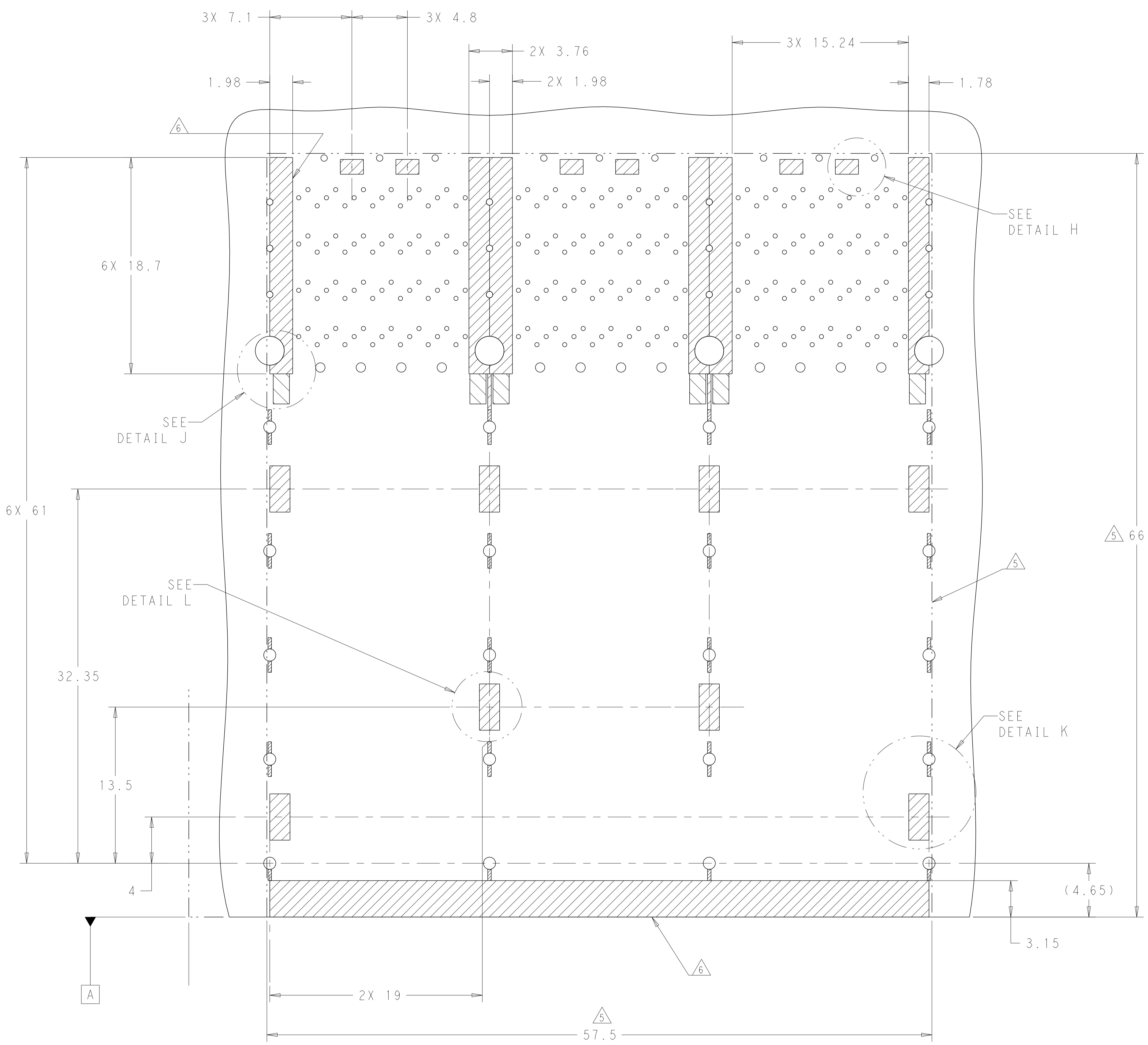
RECOMMENDED PC BOARD LAYOUT
 COMPONENT SIDE OF BOARD
 PCB TOLERANCE: ±0.05
 SCALE 5:1



DETAIL G
 3X INDIVIDUALLY
 SCALE 8:1

THIS DRAWING IS A CONTROLLED DOCUMENT. DIMENSIONING AND TOLERANCING PER ASME Y14.5M-2009		DMN: M. SHIRK 27FEB2012 CHK: D. SZCZESNY 27FEB2012	TE Connectivity NAME: CAGE AND CONNECTOR ASSEMBLY, WITH EMI GASKET, 2X3, ZQSFP+ STACKED PRODUCT SPEC: 108-60102 APPLICATION SPEC: 114-60015 SIZE: A1 CAGE CODE: 00779 DRAWING NO: C=2214565 RESTRICTED TO: - SCALE: 4:1 SHEET 3 OF 4 REV: A1
DIMENSIONS: mm	TOLERANCES UNLESS OTHERWISE SPECIFIED:	APVD: -	
0 PLC ±	1 PLC ±0.25	WEIGHT: -	
2 PLC ±0.15	3 PLC ±	CUSTOMER DRAWING	
4 PLC ±	ANGLES ±		
MATERIAL: SEE NOTE 1	FINISH: SEE NOTE 2		

LOC	DIST	REVISIONS			
P	LTR	DESCRIPTION	DATE	DMN	APVD
rev_sym_1	1866_8H6E111			rev.deflect	dmn_bppr_1
rev_sym_2	rev_desc_2			rev.deflect	dmn_bppr_2
rev_sym_3	rev_desc_3			rev.deflect	dmn_bppr_3
rev_sym_4	rev_desc_4			rev.deflect	dmn_bppr_4



KEEPOUT AREAS
 COMPONENT SIDE OF BOARD
 SCALE 5:1

THIS PRODUCT HAS NOT COMPLETED VALIDATION AND QUALIFICATION TESTING

THIS DRAWING IS A CONTROLLED DOCUMENT. DIMENSIONING AND TOLERANCING PER ASME Y14.5M-2009.		DMN: M. SHIRK 27FEB2012	TE Connectivity
DIMENSIONS: mm		CHK: D. SZCZESNY 27FEB2012	
TOLERANCES UNLESS OTHERWISE SPECIFIED:		APVD: -	NAME: CAGE AND CONNECTOR ASSEMBLY, WITH EMI GASKET, 2X3, ZQSPF+ STACKED
0 PLC ±	1 PLC ±0.25	PRODUCT SPEC: 108-60102	SIZE: 114-60015
2 PLC ±0.15	3 PLC ±	APPLICATION SPEC: -	RESTRICTED TO: -
4 PLC ±	ANGLES ±	WEIGHT: -	SCALE: 4:1
MATERIAL: -	FINISH: -	CUSTOMER DRAWING	SHEET 4 OF 4
SEE NOTE 1	SEE NOTE 2	A100779C=2214565	REV: A1