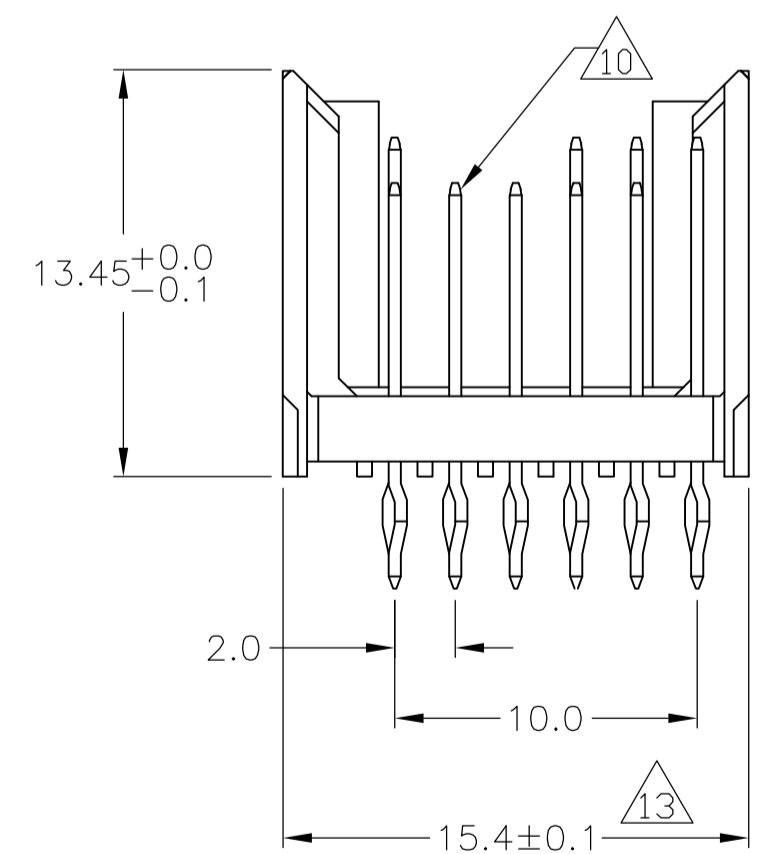
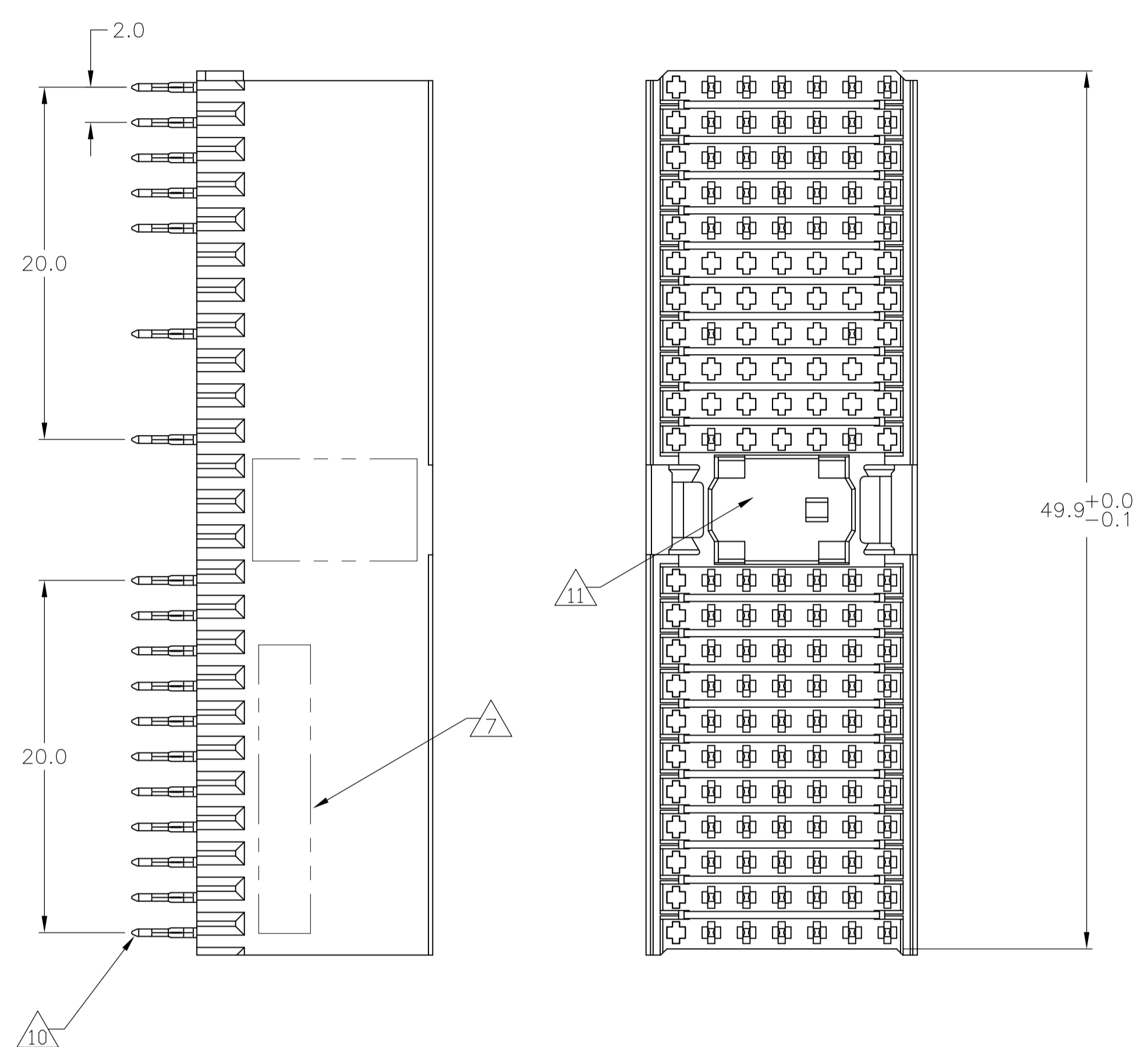
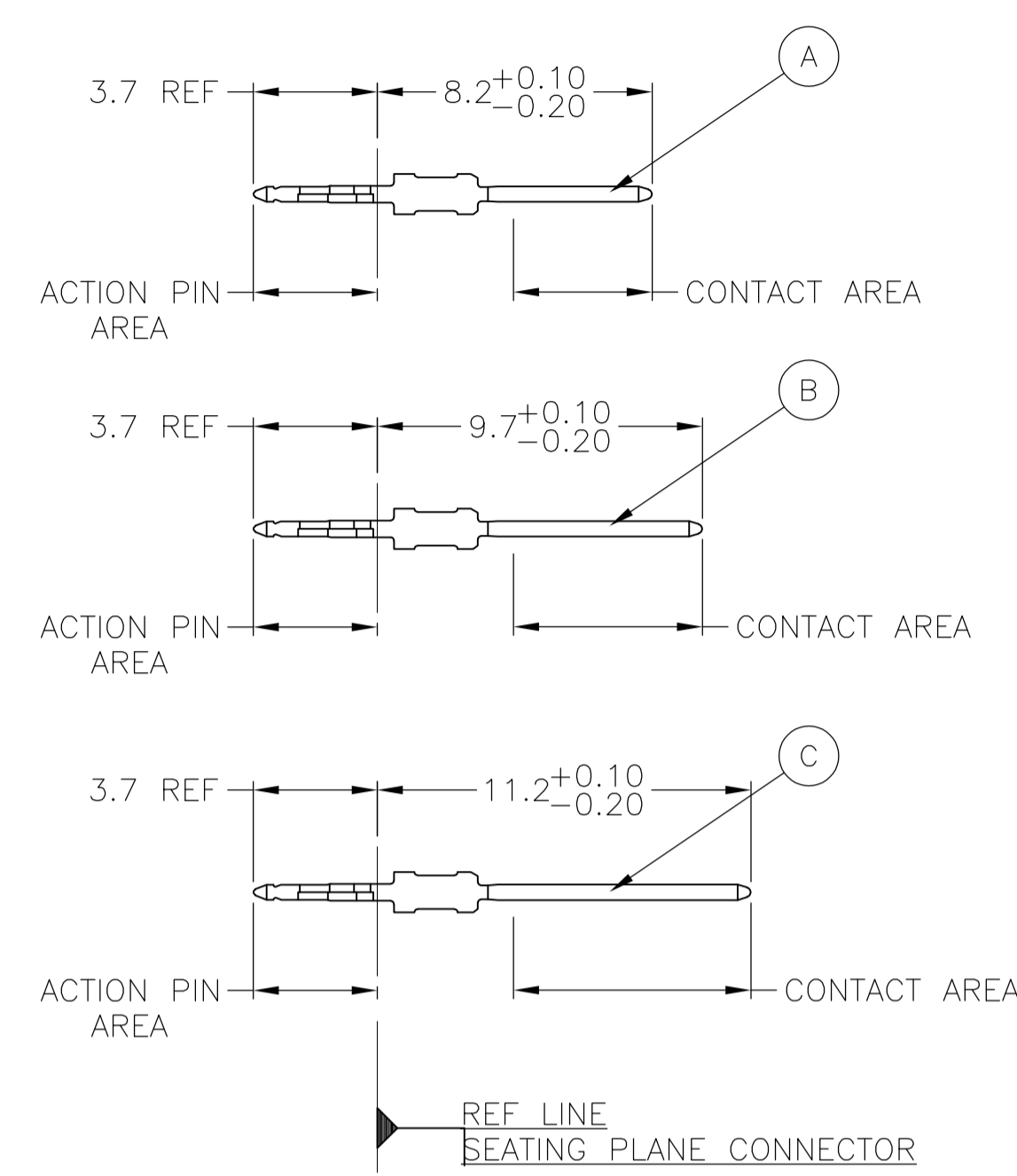


LOC		DIST		REVISIONS			
P	LTR	DESCRIPTION	DATE	DNW	APVD		
A1		REVISED PER ECO-08-018833	11AUG08	DH	JE		
A2		REVISED PER ECO-09-024717	04NOV09	KK	AEG		
B		ECR-10-019054	15SEP10	DP	MQW		

CONNECTOR ASSEMBLY EXAMPLARY LOADED



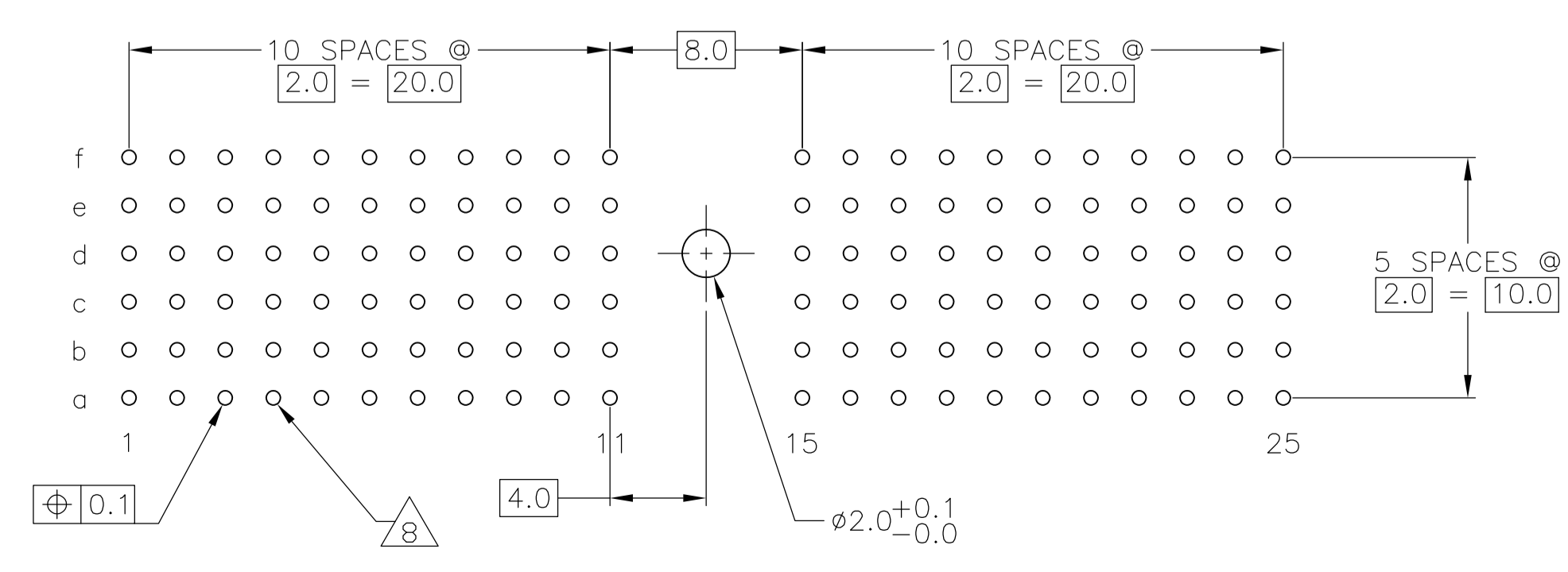
CONTACT DIMENSIONS SCALE 5:1



CONTACT LAYOUT

	z	a	b	c	d	e	f
1		B	B	B	B	B	C
2		B	B	B	B	B	C
3		B	B	A	B	B	C
4		B	B	B	B	B	C
5		C	B	B	B	C	C
6							
7							
8		B				B	
9							
10							
11		C				C	
MULTI PURPOSE CENTER							
15		B	B	B	C	B	C
16		B	B	B	C	B	C
17		B	B	B	C	B	C
18		B	B	B	C	B	C
19		B	B	B	C	B	C
20		B	B	B	C	B	C
21		B	B	B	C	B	C
22		B	B	B	C	B	C
23		B	B	B	C	B	C
24		B	B	B	B	C	C
25		B	B	B	B	B	C

RECOMMENDED PCB-HOLE LAYOUT COMPONENT SIDE SHOWN



PLATED THRU HOLES PARAMETERS REFERENCE APPLICATION SPECIFICATION


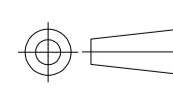
2	6	14	1-5352352-9
2	5	14	5352352-9
2	4		5352352-4
2	3		5352352-1
FINISH			PART NUMBER

THIS DRAWING IS A CONTROLLED DOCUMENT.

DIMENSIONS: mm	TOLERANCES UNLESS OTHERWISE SPECIFIED:	DIN B CARBO 26JUL05	APVD G SKIPPER 26JUL05	Tyco Electronics Corporation Harrisburg, Pa 17105-3608
0-PLC ±	1-PLC ±0.1	2-PLC ±0.2	3-PLC ±0.3	4-PLC ±0.4
MATERIAL	FINISH SEE TABLE	WEIGHT	SIZE A1	CAGE CODE 00779
		SCALE 4:1	DRAWING NO. 108-19082	RESTRICTED TO
			APPLICATION SPEC 114-19029	
			PRODUCT SPEC	
			NAME MALE ASSEMBLY, Z-PACK 2mm HM, TYPE A	
			108-19082	
			114-19029	
			5352352	
			CUSTOMER DRAWING	SHEET 1 OF 2

LOC		DIST		REVISIONS				
P	LTR	DESCRIPTION	DATE	DN	APVO			
AD	00	SEE SHEET 1	-	-	-			

- 1 MATERIAL:
CONTACT: PHOSPHOR BRONZE.
HOUSING: GLASS-FILLED POLYESTER.
- 2 GENERAL PLATING SPECIFICATION: UNDERPLATING
(ENTIRE CONTACT): 1.27µm MIN NICKEL AND ACTION
PIN: 0.5µm MIN TIN.
FOR PLATING OF MATING SURFACES SEE APPLICABLE
SPECIFICATION REFERENCE FOR EACH DASH NUMBER.
- 3 CONFORMS TO ALL TESTING ACCORDING TO IEC 61076-4-101
PERFORMANCE LEVEL 2.
- 4 CONFORMS TO ALL TESTING ACCORDING TO IEC 61076-4-101
PERFORMANCE LEVEL 1.
- 5 CONNECTOR TESTED AND QUALIFIED AGAINST TELCORDIA GR-1217-CORE QUALITY LEVEL 3,
CENTRAL OFFICE APPLICATIONS.
- 6 CONNECTOR TESTED AND QUALIFIED AGAINST TELCORDIA GR-1217-CORE QUALITY LEVEL 3,
UNCONTROLLED ENVIROMENT APPLICATIONS.
- 7 CONNECTOR MARKED WITH PART NUMBER AND DATE CODE.
ADDITIONAL CHARACTERS OR MARKINGS, AS WELL AS THE LOCATION OF THE MARKINGS,
MAY BE ADDED FOR TRACEABILITY BASED UPON MANUFACTURERS DISCRETION.
- 8 PLATED-THROUGH HOLES AT 2x2mm SQUARE GRID
PATTERN DEFINED BY CONTACT LAYOUT.
- 9 FOR ACTUAL PIN LOADING SEE "CONTACT LAYOUT".
- 10 FOR ACTUAL PIN DIMENSIONS SEE "CONTACT DIMENSIONS".
- 11 AREA RESERVED FOR KEYING PART (BASIC P/N 100525)
- 12 -
- 13 TO BE MEASURED AT BOTTOM OF SHROUD.
- 14 CONNECTOR LUBRICATED WITH BELCORE APPROVED LUBRICANT,
TECHNICAL REFERENCE: TR-NWT-001217 ISSUE 1, SEP 1992.
- 15 OBSOLETE PARTS: OBSOLETE CIS STREAMLINING PER D.RENAUD/D.SINISI

THIS DRAWING IS A CONTROLLED DOCUMENT.		DIN B CARBO	26JUL05	 Tyco Electronics Corporation Harrisburg, Pa 17105-3608
		CHK G SKIPPER	26JUL05	
DIMENSIONS: mm		TOLERANCES UNLESS OTHERWISE SPECIFIED: 0-PLC ± 1-PLC ± 0.1 2-PLC ± 3-PLC ± 4-PLC ± ANGLES ±		NAME MALE ASSEMBLY, Z-PACK 2mm HM, TYPE A
		PRODUCT SPEC 108-19082 APPLICATION SPEC 114-19029		
MATERIAL SEE SHEET 1	FINISH SEE SHEET 1	WEIGHT -	SIZE A1	CAGE CODE 00779 DRAWING NO 5352352 RESTRICTED TO -
CUSTOMER DRAWING			SCALE 4:1	SHEET 2 OF 2 REV B