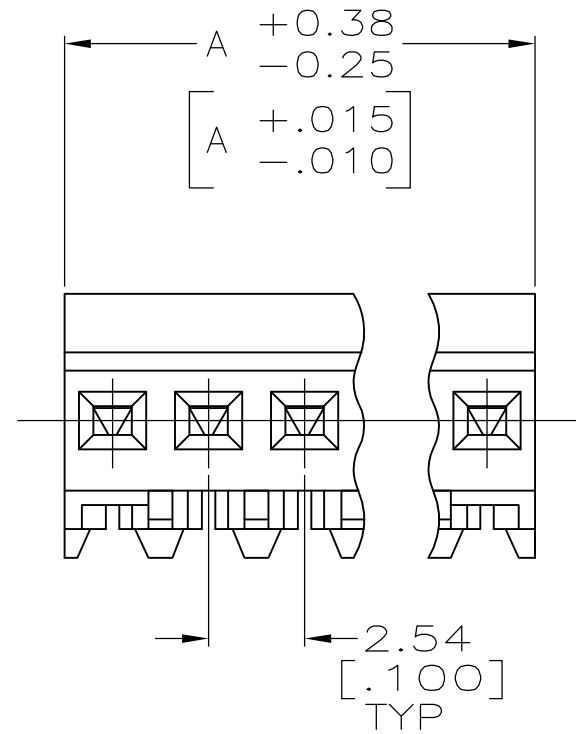
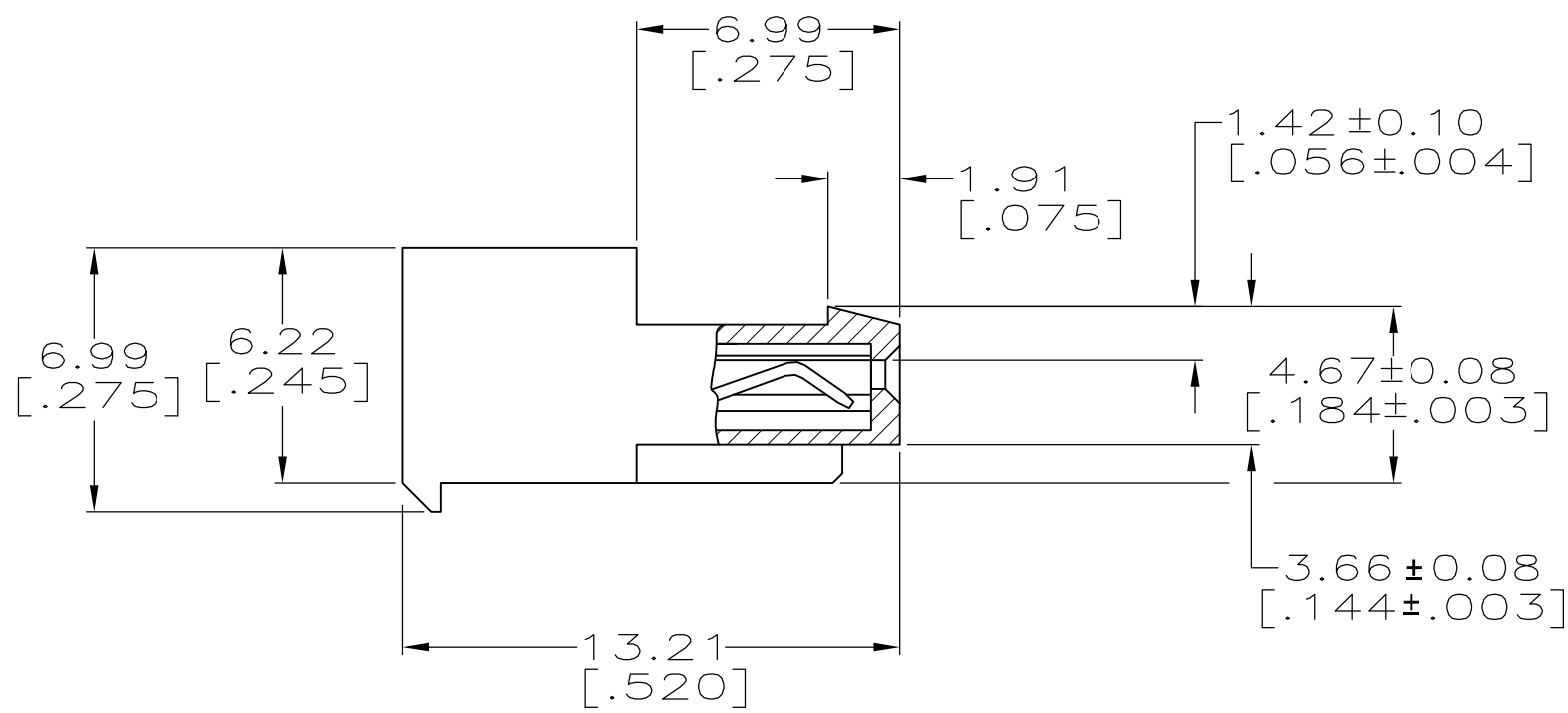
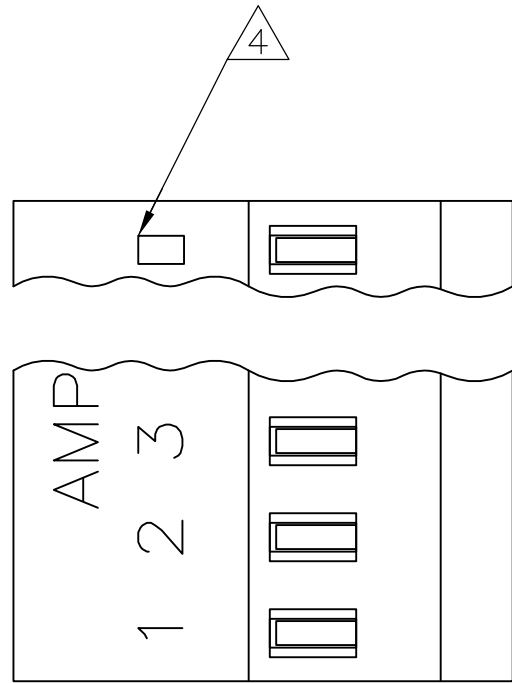


THIS DRAWING IS UNPUBLISHED. RELEASED FOR PUBLICATION
 © COPYRIGHT - By - ALL RIGHTS RESERVED.

LOC		DIST		REVISIONS			
P	LTR	DESCRIPTION		DATE	DWN	APVD	
CM	00	D2	REVISED PER ECO-11-014117		13JUL11	HMR	SM



1 MATERIAL: CONNECTOR - NYLON UL94V-2 (BLACK).
 CONTACTS - 0.30[.012] THICK COPPER ALLOY
 .000076[.000030] GOLD IN CONTACT AREA WITH
 BRIGHT TIN-LEAD SLOT AREA FOR 644314-2 THRU 644314-6
 OR MATTE WHISKER MITIGATED TIN FOR 3-644314-2 THRU
 3-644314-6 OVER NICKEL UNDERPLATE.

2. CONTACTS ACCEPT 22 AWG WIRE WITH 1.52[.060] MAX INSULATION DIAMETER.

3. CONTACTS MUST ACCEPT 0.64 ± 0.03[.025] POST AND REMAIN LOCKED IN POSITION.

4 IDENTIFICATION NUMBER FOR LAST CIRCUIT MAY NOT APPEAR ON ALL ASSEMBLIES.

5. DIMENSIONS IN BRACKETS ARE IN INCHES.

6. HOUSING FEATURES ARE: CLOSED END WITH LOCKING RAMP.

7 OBSOLETE PARTS: OBSOLETE CIS STREAMLINING PER D.RENAUD/D.SINISI

DIM A	NO OF CIRCUITS	PART NO
15.24 [.600]	6	3-644314-6
12.70 [.500]	5	3-644314-5
10.16 [.400]	4	3-644314-4
7.62 [.300]	3	3-644314-3
5.08 [.200]	2	3-644314-2

7	SUPERSEDED BY 3-644314-3	15.24 [.600]	6	644314-6
7	SUPERSEDED BY 3-644314-3	12.70 [.500]	5	644314-5
7	SUPERSEDED BY 3-644314-3	10.16 [.400]	4	644314-4
7	SUPERSEDED BY 3-644314-3	7.62 [.300]	3	644314-3
7	SUPERSEDED BY 3-644314-3	5.08 [.200]	2	644314-2

OBSOLETE

METRIC

THIS DRAWING IS A CONTROLLED DOCUMENT.		DWN K. WHITAKER 21JULY2005	TE Connectivity	
DIMENSIONS: mm [INCHES]		CHK D. BOSSI 21JULY2005	NAME	
TOLERANCES UNLESS OTHERWISE SPECIFIED: 0 PLC ± - 1 PLC ± - 2 PLC ± - 3 PLC ± 0.13 [.005] 4 PLC ± - ANGLES ± -		APVD D. BOSSI 21JULY2005	PRODUCT SPEC 108-1050	
MATERIAL 1		FINISH 1	APPLICATION SPEC 114-1019	SIZE A2
		WEIGHT -	CAGE CODE 00779	DRAWING NO C-644314
		CUSTOMER DRAWING	SCALE 5:1	SHEET 1 of 1
			REV D2	RESTRICTED TO -