



Microsemi

8700 E. Thomas Road
Scottsdale, AZ 85252
PH: (480) 941-6300
FAX: (480) 941-1503

MSASC25W100K MSASC25W100KR

Features

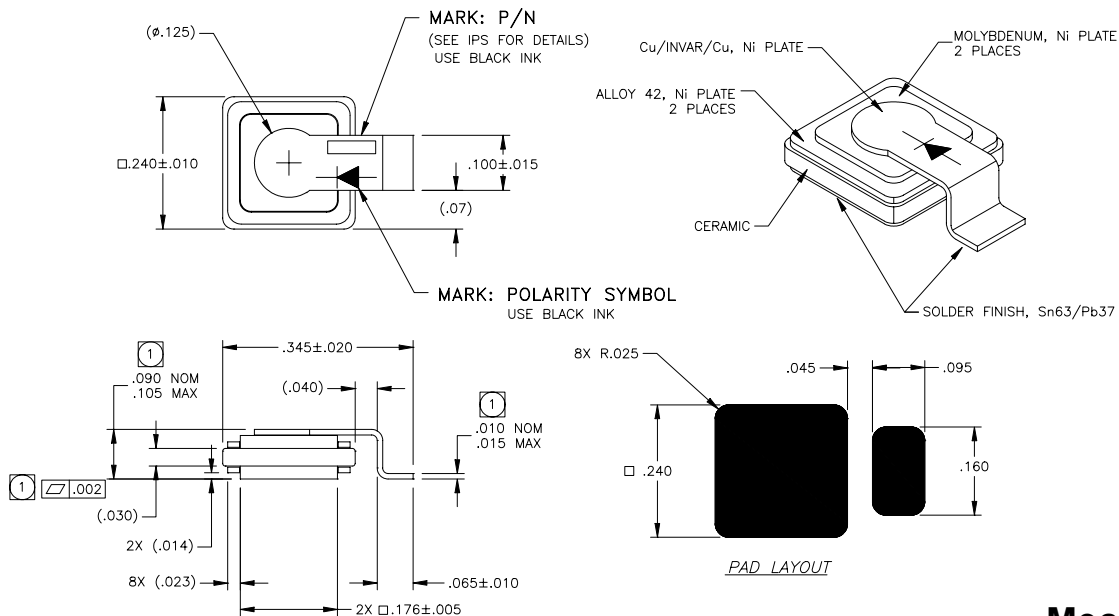
- Platinum schottky barrier
- Oxide passivated structure
- Guard ring protection for increased reverse energy capability
- Epitaxial structure minimizes forward voltage drop
- Hermetically sealed, low profile ceramic surface mount power package
- Low package inductance
- Very low thermal resistance
- Available as standard polarity (strap is anode: MSASC25W100K) and reverse polarity (strap is cathode: MSASC25W100KR)
- TXV-level screening (MSASC25W100KV) or S-level (MSASC25W100KS) screening i.a.w. Microsemi internal procedure PS11.50 available

**100 Volts
25 Amps**

**Low Profile
Surface Mount
SCHOTTKY DIODE**

Maximum Ratings @ 25°C (unless otherwise specified)

DESCRIPTION	SYMBOL	MAX.	UNIT
Peak Repetitive Reverse Voltage	V_{RRM}	100	Volts
Working Peak Reverse Voltage	V_{RWM}	100	Volts
DC Blocking Voltage	V_R	100	Volts
Average Rectified Forward Current, $T_c \leq 145^\circ\text{C}$	$I_{F(ave)}$	25	Amps
derating, forward current, $T_c \geq 145^\circ\text{C}$	di_F/dT	(3.3)	Amps/ $^\circ\text{C}$
Nonrepetitive Peak Surge Current, $t_p = 8.3$ ms, half-sinewave	I_{FSM}	280	Amps
Peak Repetitive Reverse Surge Current, $t_p = 1\mu\text{s}$, $f = 1\text{kHz}$	I_{RRM}	2	Amp
Junction Temperature Range	T_j	-65 to +175	$^\circ\text{C}$
Storage Temperature Range	T_{stg}	-65 to +175	$^\circ\text{C}$
Thermal Resistance, Junction to Case:			$^\circ\text{C/W}$
	MSASC25W100K	0.85	
	MSASC25W100KR	0.95	



1 DIMENSION SHOWN APPLIES PRIOR TO SOLDER FINISH.
AFTER SOLDER FINISH DIMENSION MAY VARY

NOTE: UNLESS OTHERWISE SPECIFIED

PAD TOLERANCES		
UNLESS OTHERWISE SPECIFIED DIMENSIONS ARE IN INCHES		
ROUGHNESS	DECIMAL	ANGULAR
63	.XX ±.01 .XXX ±.005	± 0.5°

**Mechanical
Outline
ThinKey™ 2**

MSASC25W100K MSASC25W100KR



Electrical Parameters

DESCRIPTION	SYMBOL	CONDITIONS	MIN	TYP.	MAX	UNIT
Reverse (Leakage) Current	IR ₂₅	VR= 100 Vdc, Tc= 25°C		7	500	μA
	IR ₁₂₅	VR= 100 Vdc, Tc= 125°C		2	7	mA
Forward Voltage pulse test, pw= 300 μs d/c≤ 2%	VF1	IF= 5A, Tc= 25°C		650	700	mV
	VF2	IF= 10A, Tc= 25°C		750	780	mV
	VF3	IF= 25A, Tc= 25°C		830	910	mV
	VF4	IF= 50A, Tc= 25°C		940	-	mV
	VF5	IF= 10A, Tc= 125°C		590	630	mV
	VF6	IF= 25A, Tc= 125°C		690	750	mV
Junction Capacitance	Cj1	VR= 10 Vdc		370		pF
	Cj2	VR= 5 Vdc		500	600	pF
Breakdown Voltage	BVR	IR= 1 mA, Tc= 25°C	100	110		V
		IR= 1 mA, Tc= -55°C	100			V

