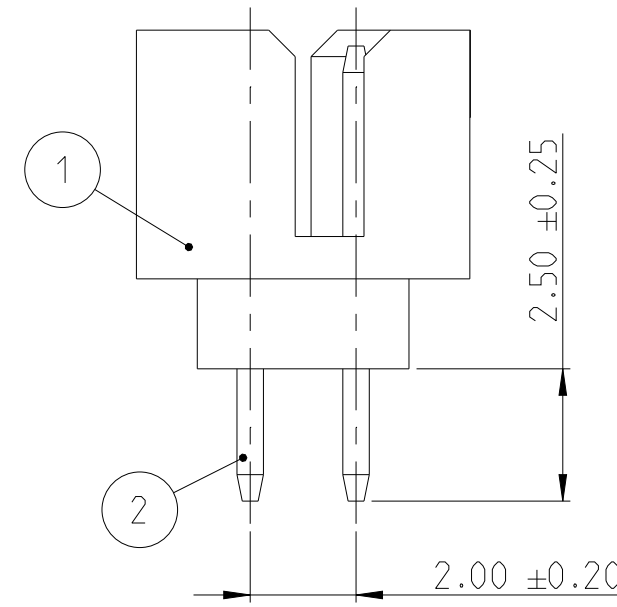
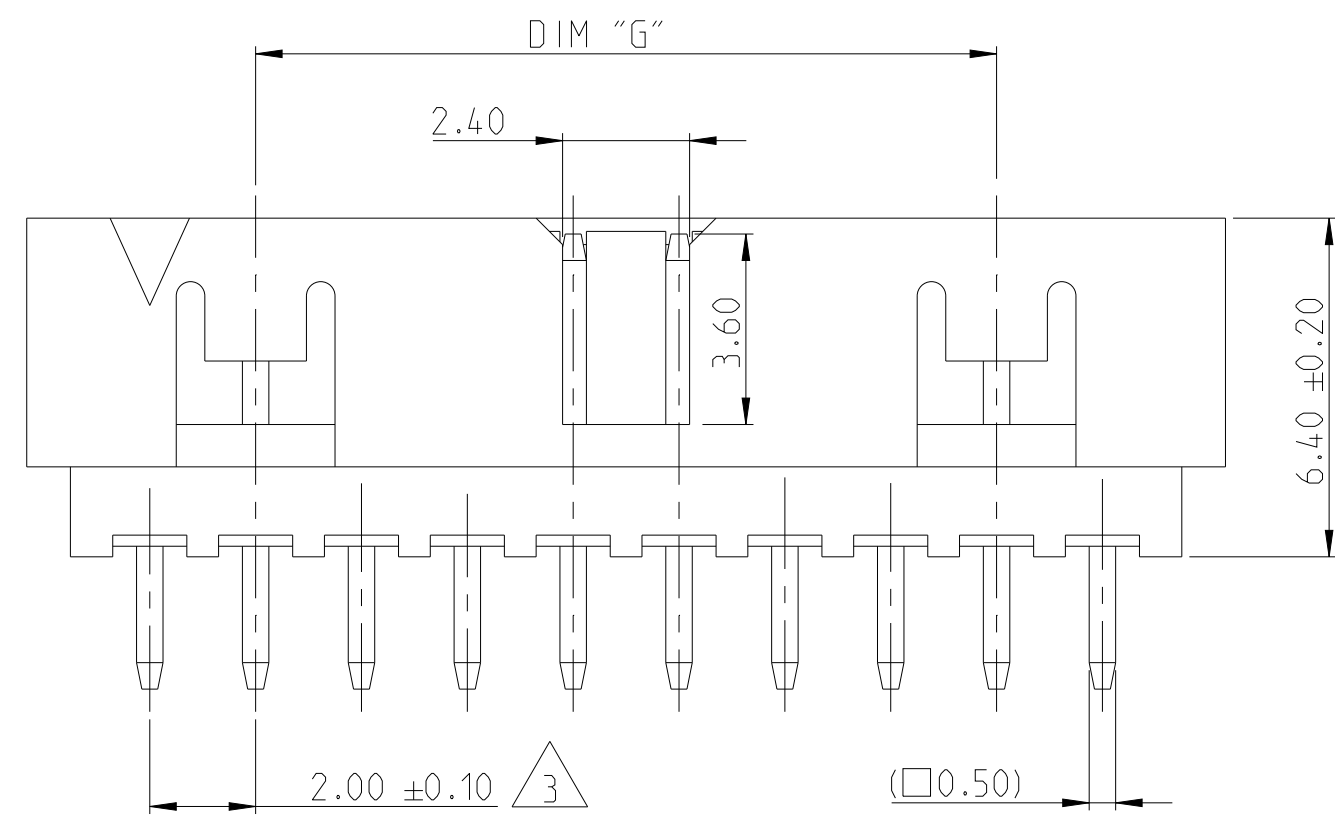
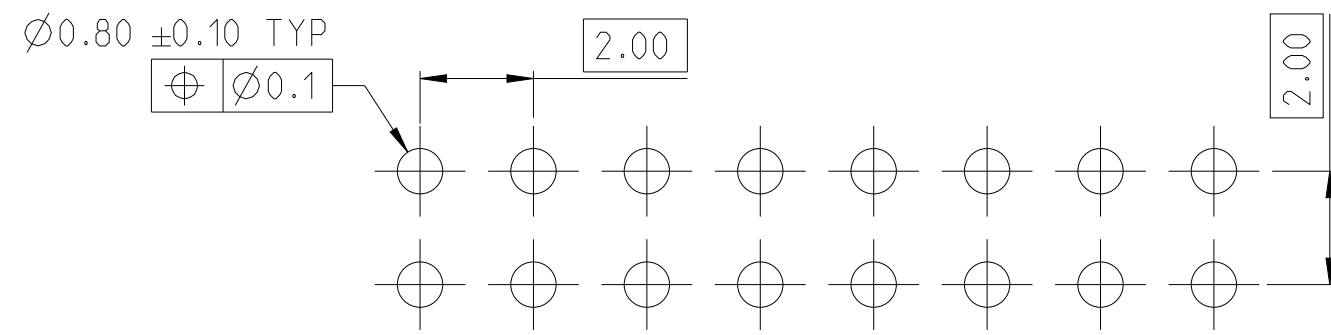
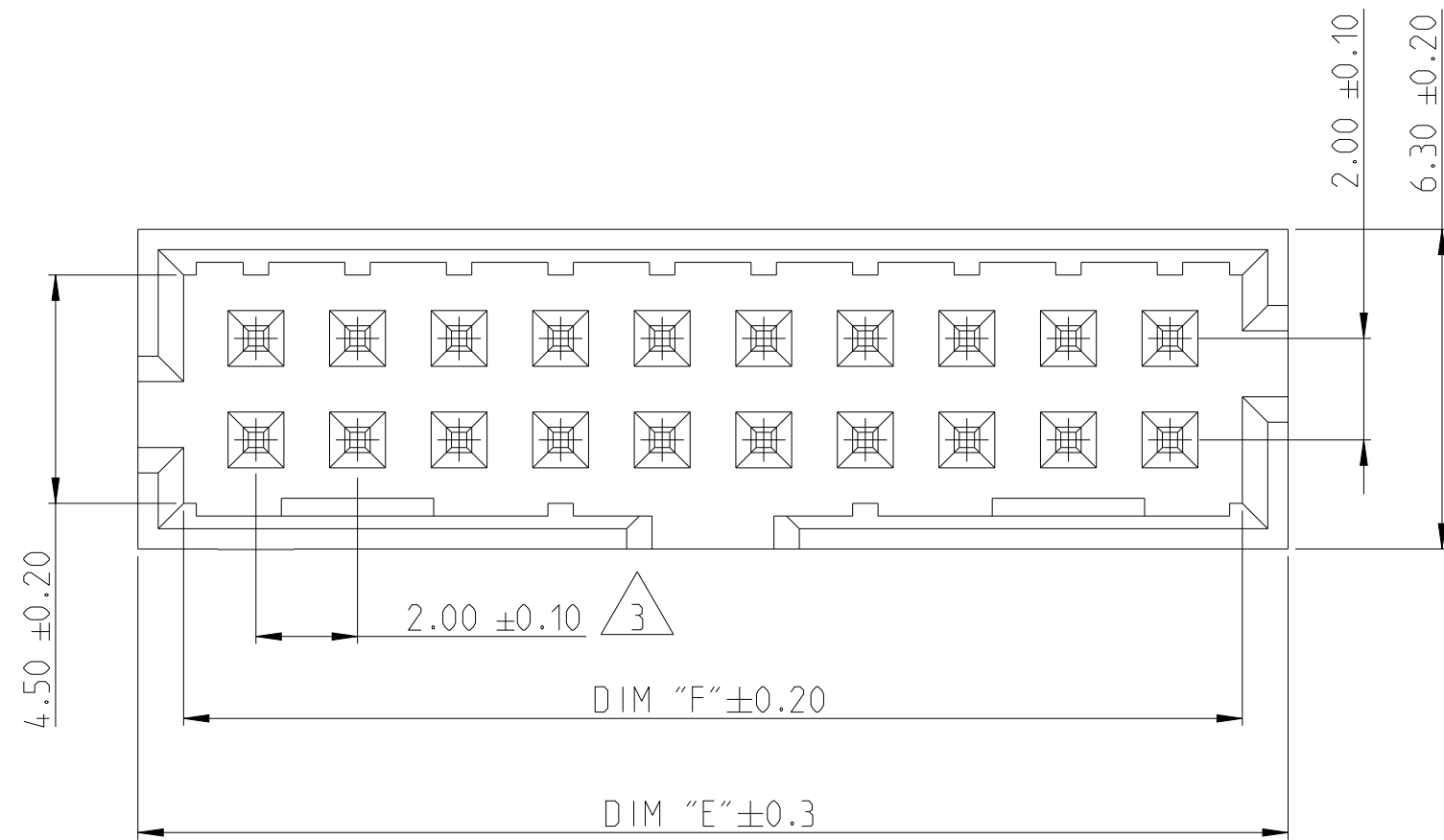
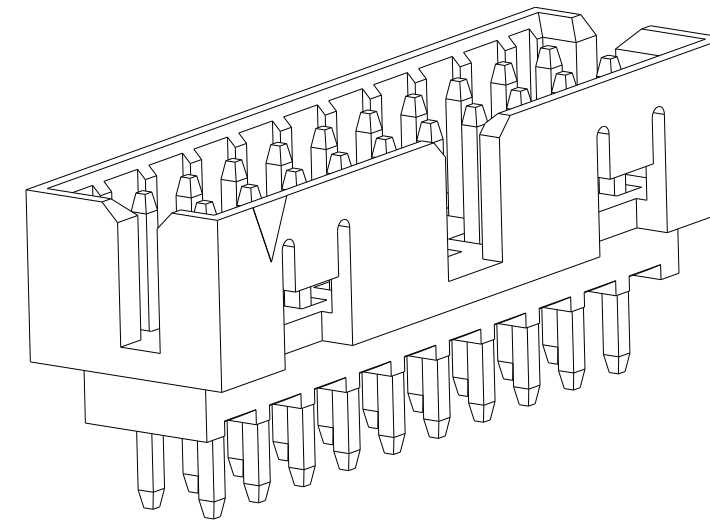


P	LTR	DESCRIPTION	DATE	DWN	APVD
A		RELEASE TO PRODUCTION	09DEC2019	AY	PS
A1		18 POSITION ADDED	13MAY2021	AY	PS

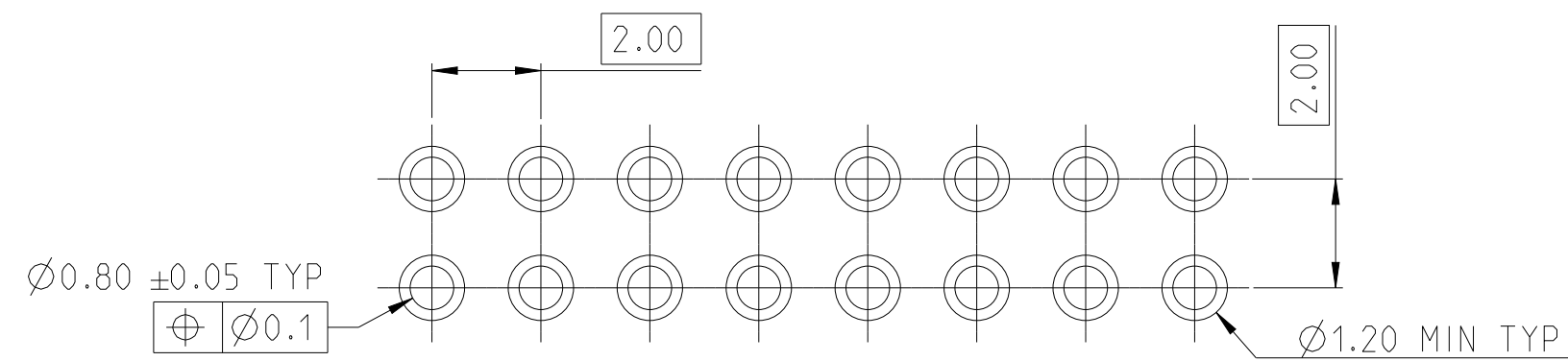


NOTES:

- MATERIAL
HOUSING : HIGH TEMPERATURE THERMOPLASTIC, UL94-V0; COLOR- BLACK
POST : COPPER ALLOY
FINISH :
MATING SIDE: MIN. 0.76 µm GOLD OVER NICKEL UNDER PLATING.
SOLDER SIDE: MIN. 2.0 µm TIN OVER NICKEL UNDER PLATING.
 - PACKAGING: TUBE
- △ TOLERANCE NOT CUMULATIVE.



RECOMMENDED PCB HOLE PATTERN FOR THROUGH HOLE WAVE



RECOMMENDED PCB HOLE PATTERN FOR THROUGH HOLE REFLOW /PIN-IN-PASTE

2-2842238-0 AS SHOWN

44	50.85	52.65	50	5-2842238-0
38	44.85	46.65	44	4-2842238-4
34	40.85	42.65	40	4-2842238-0
28	34.85	36.65	34	3-2842238-4
24	30.85	32.65	30	3-2842238-0
20	26.85	28.65	26	2-2842238-6
18	24.85	26.65	24	2-2842238-4
14	20.85	22.65	20	2-2842238-0
12	18.85	20.65	18	1-2842238-8
10	16.85	18.65	16	1-2842238-6
8	14.85	16.65	14	1-2842238-4
DIM "G"	DIM "F"	DIM "E"	POS.	TE PN.

THIS DRAWING IS A CONTROLLED DOCUMENT.

DIMENSIONS:
mm

TOLERANCES UNLESS OTHERWISE SPECIFIED:

0 PLC	±
1 PLC	±
2 PLC	±0.25
3 PLC	±
4 PLC	±
ANGLES	±2°
FINISH	-

MATERIAL
SEE NOTES

DWN	ANKIT YADAV	12NOV2019
CHK	KARTHIK JK	25NOV2019
APVD	PRASHANTH S.	27NOV2019
PRODUCT SPEC	108-64040	
APPLICATION SPEC	114-32259	
WEIGHT	-	
CUSTOMER DRAWING		

STE TE Connectivity			
NAME AMPMODU 2mm SHROUDED HEADER, DUAL ROW, VERTICAL TH. 0.76 Au, TUBE			
SIZE	CAGE CODE	DRAWING NO	RESTRICTED TO
A2	00779	C-2842238	-

CONTACT PIN	2
HOUSING	1
DESCRIPTION	ITEM NO.

SCALE	5:1	SHEET	1 OF 1	REV	A1
-------	-----	-------	--------	-----	----