

- 1
- 2
- 3
- 4
- 5
- 6
- 7
- 8
- 9
- 10
- 11
- 12
- 13
- 14
- 15
- 16
- 17
- 18

**HANDLE SHANKS**

Glass-fibre reinforced polyamide based (PA) technopolymer, black colour similar to RAL 9005, semi-glossy finish.

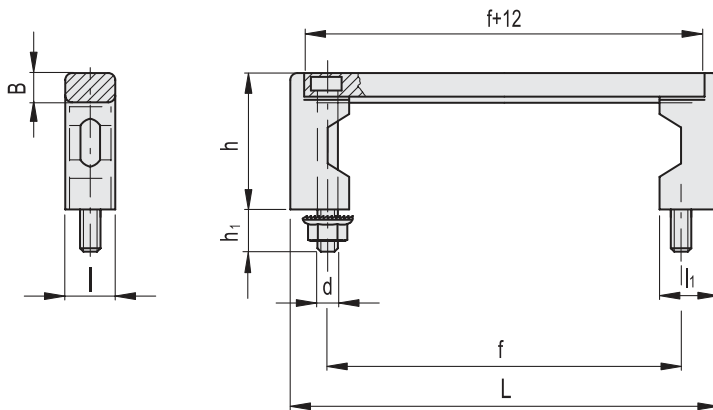
Through holes for stainless steel cylindrical-head screws with hexagon socket and zinc-plated self-locking nuts, included in the supply.

**BAR**

Rectangular cross section aluminium, natural colour anodised, matte finish.

**SPECIAL EXECUTIONS ON REQUEST**

- Black aluminium bar.
- Different lengths.
- Silver colour handle shanks.



Conversion Table			
1 mm = 0.039 inch			
	f	L	
mm	inch	mm	inch
88	3.46	108	4.25
100	3.94	120	4.72
120	4.72	140	5.46
180	7.09	200	7.80
235	9.25	255	8.89

Code	f	L	d	h1	B	h	l	li	⚖
RHUG-05.088.01	88	108	M5	10	8	40	12	16	54
RHUG-05.100.01	100	120	M5	10	8	40	12	16	58
RHUG-05.120.01	120	140	M5	10	8	40	12	16	63
RHUG-05.180.01	180	200	M5	10	8	40	12	16	77
RHUG-05.235.01	235	255	M5	10	8	40	12	16	90