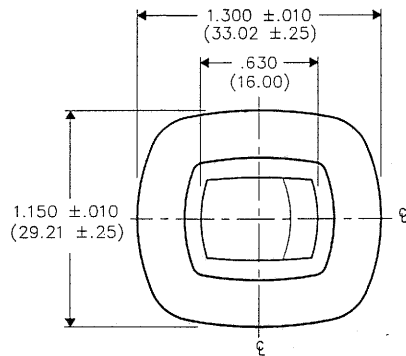


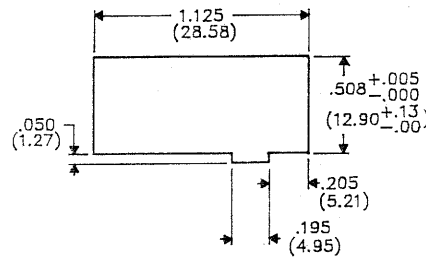
DIMENSIONS IN INCHES (MILLIMETERS)  
DO NOT SCALE DRAWING...

Drawing No.  
GRSV-4011-0011 THRU 0013

1 OF 2

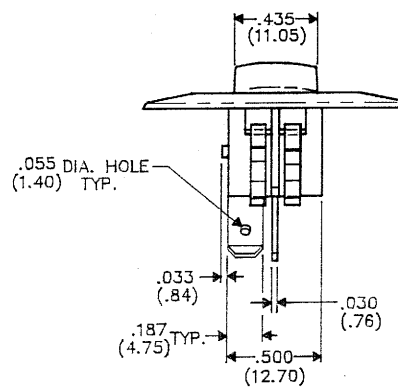
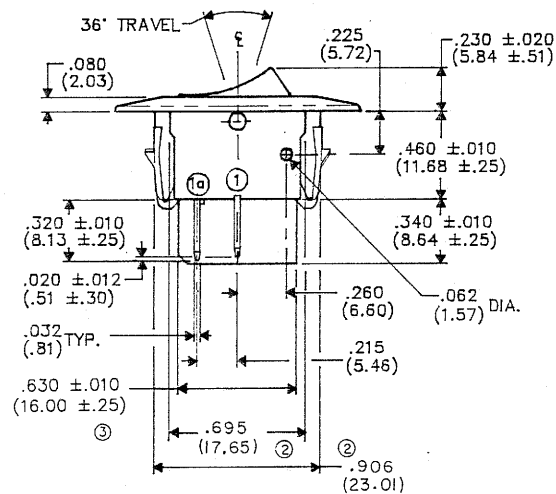
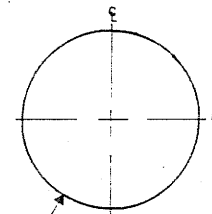


**BACK PANEL PIERCING**



**GLASS PANEL PIERCING**

.172 - .202 PANEL THICKNESS  
(4.37 - 5.13)



| PART NO. | MAT'L. | COLOR        |
|----------|--------|--------------|
| -0011    | VALOX  | BLACK        |
| -0012    | VALOX  | WT-1334      |
| -0013    | VALOX  | ALMOND 50046 |

| REVISIONS   |
|---|
| 1<br>RELEASED<br>DCW 12-28-93   |
| 2<br>ADDED PAGE 2;<br>DCW 1-24-94   |
| 3<br>.695 WAS .722 & .906<br>WAS .880 IN FRONT VIEW.<br>DCW 1-15-95<br>G.G.   |
| 4<br>ADDED ±.010 TO .630 IN<br>FRONT VIEW.<br>IDCW 1-29-98<br>G.G.  |
| 5<br>REMOVED BULB PAD PRINT<br>& DIM'S .180 REF. & .162<br>REF. FROM TOP VIEW.<br>DCW 2-10-2005<br>G.G. FEB 11 2005 |

**CW INDUSTRIES**  
Southampton, Pa. 18966

TOLERANCES UNLESS OTHERWISE SPECIFIED  
2 Place decimal ±.010 METRIC  
3 Place decimal ±.005 1 Place dec. ± .25 MM  
Angles ± 1° 2 Place dec. ± 13 MM

Made for: GE  
Drawn by: DGW 12-28-93  
Checked by: G.G. 1-6-94  
Approval: [Signature]

Title: SWIDGET CUSTOM S.P.- S.T.

Division: SWITCH

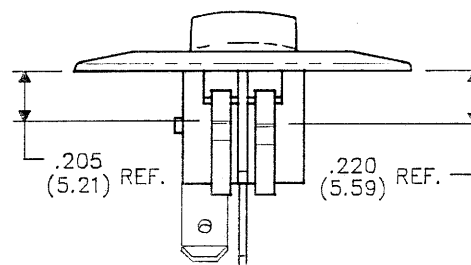
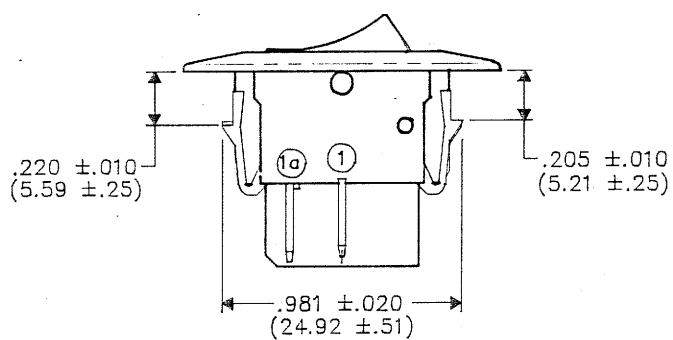
Drawing No: GRSV-4011-0011 THRU 0013

1 OF 2

DIMENSIONS IN INCHES (MILLIMETERS)  
DO NOT SCALE DRAWING...

Drawing No.  
GRSV-4011-0011 THRU 0013

2 OF 2



B-FORM-0  
REVISIONS  
RELEASED  
DCW 1-24-94

**CW INDUSTRIES**  
Southampton, Pa. 18966

Title  
**CLAW DETAILS**

TOLERANCES UNLESS OTHERWISE SPECIFIED  
2 Place decimal ±.010 METRIC  
3 Place decimal ±.005 1 Place dec. ±.25 MM  
Angles ±1° 2 Place dec. ±.13 MM

Made for GE

Division SWITCH

Drawn by DGW 1-24-94

Drawing No. GRSV-4011-0011 THRU 0013

Checked by *[Signature]* 1/27/94

2 OF 2

Approval *[Signature]* 1-24-94