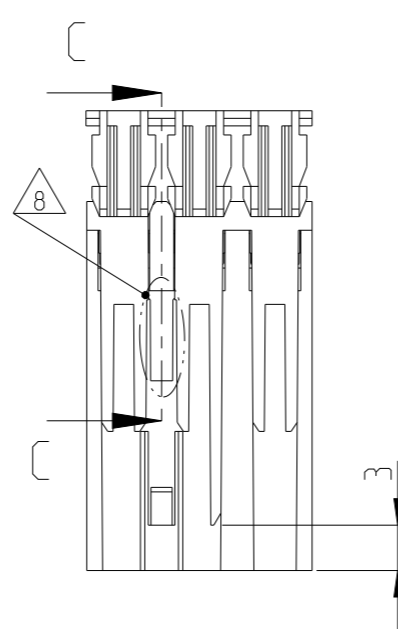
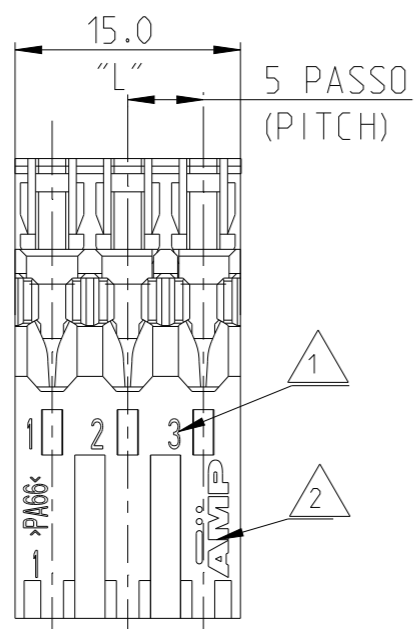
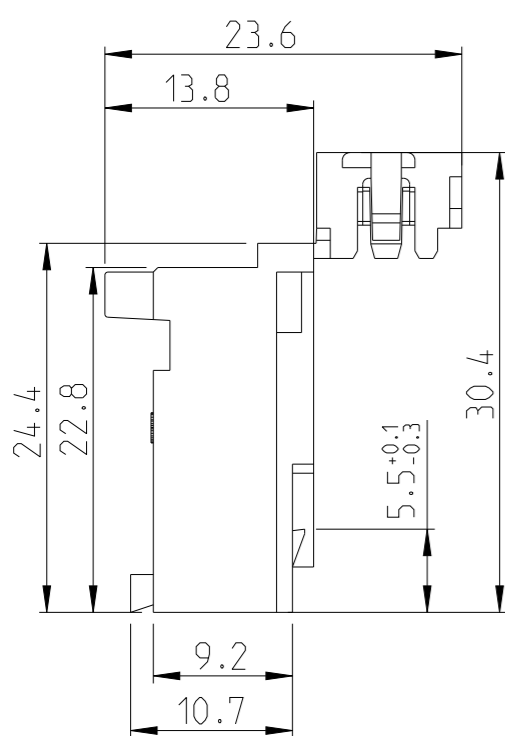
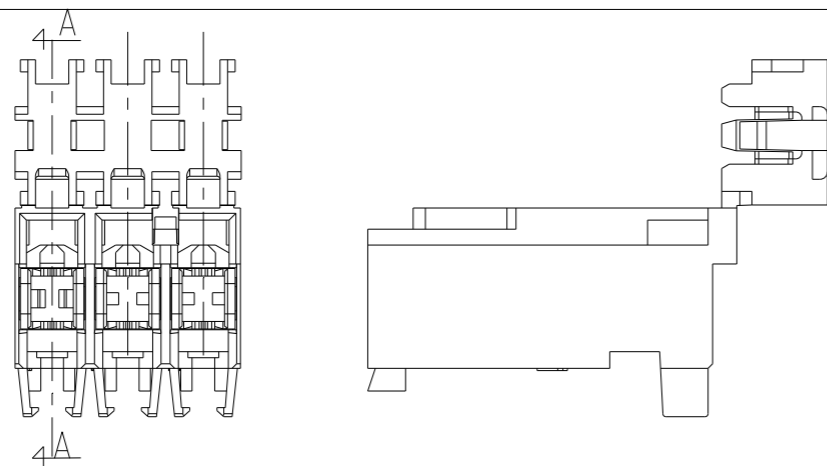
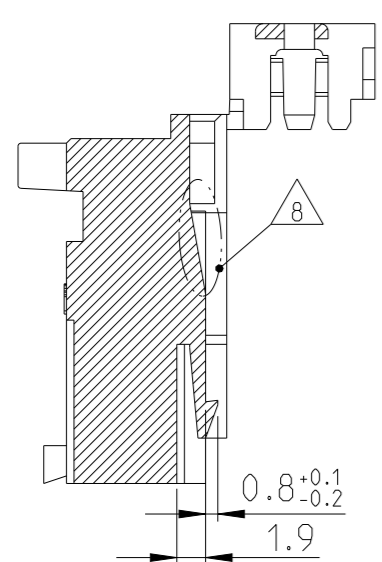
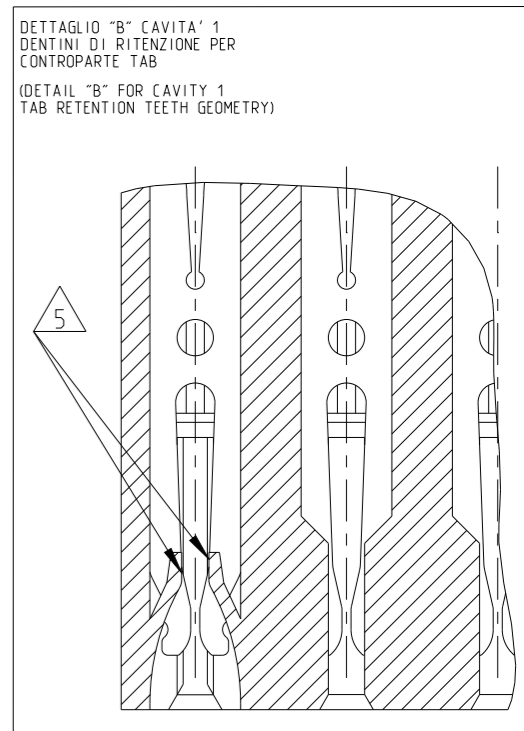
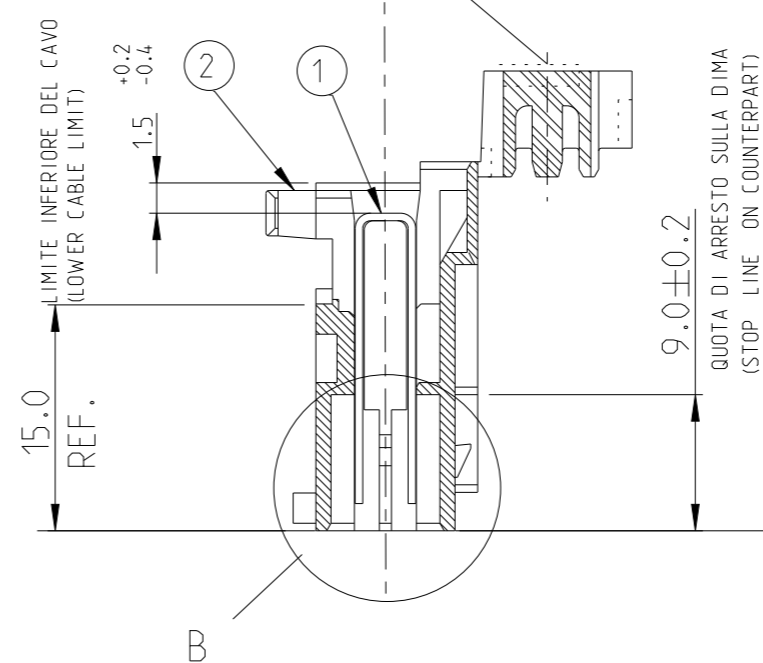


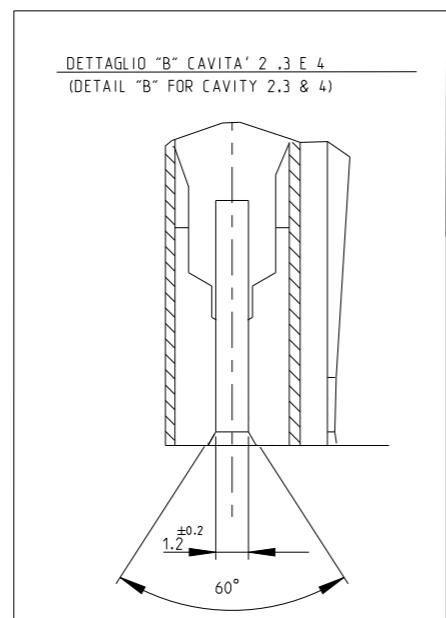
LOC	DIST	REVISIONS					
		P	LTR	DESCRIPTION	DATE	DWN	APVD
1	-	D4	ECR-21-102869		10MAY2021	SM	FL
		D5	ECR-21-110402		30AUG2021	KD	FL
		D6	ECR-22-128431		04FEB2022	SM	FL
		D7	ECR-23-166323		03MAR2023	DC	FL



SEZ. A-A  
 COLOR CODE STRIP ALLOCATO  
 IN QUESTA AREA DEL COPERCHIO  
 (COLOR CODE STRIP  
 LOCATED ON THE COVER AS SHOWN)



SECTION C-C  
2:1



DETTAGLIO "B" CAVITA' 2, 3 E 4  
 (DETAIL "B" FOR CAVITY 2, 3 & 4)

2	BLOCCETTO (HOUSING)	NATURALE (NATURAL)	PA 6.6 CARICATO VETRO (POLIAMIDE 6.6 GLASSFIBER FILLED)
1	CONTATTO (CONTACT)	STAGNATO (TIN-PLATED)	OTTONE (BRASS)
ITEM	DENOMINAZIONE (DESCRIPTION)	FINITURA / COLORE (FINISH / COLOUR)	MATERIALE (MATERIAL)
			DIAM. ISOLANTE (INS. DIA. RANGE) 3.0 max. RANGO FILO (WIRE RANGE) 0.5-1.5mm2

THIS DRAWING IS A CONTROLLED DOCUMENT.

DWN C.CORDOLA 02DEC2008  
 CHK G.TURCO 02DEC2008  
 APVD -

DIMENSIONS: mm

TOLERANCES UNLESS OTHERWISE SPECIFIED:  
 0 PLC ±  
 1 PLC ±  
 2 PLC ± ±0.3  
 3 PLC ±  
 4 PLC ±  
 ANGLES ±0° 30'  
 FINISH SEE TABLE

MATERIAL SEE TABLE

PRODUCT SPEC 108-20065-1, 108-20065-2  
 APPLICATION SPEC 114-20016, 114-20016-1  
 WEIGHT -

CUSTOMER DRAWING

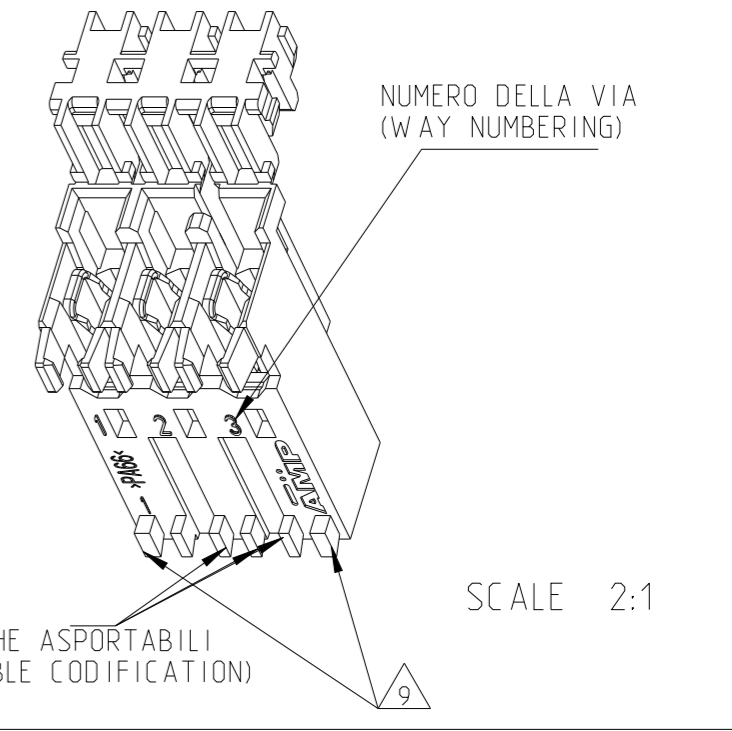
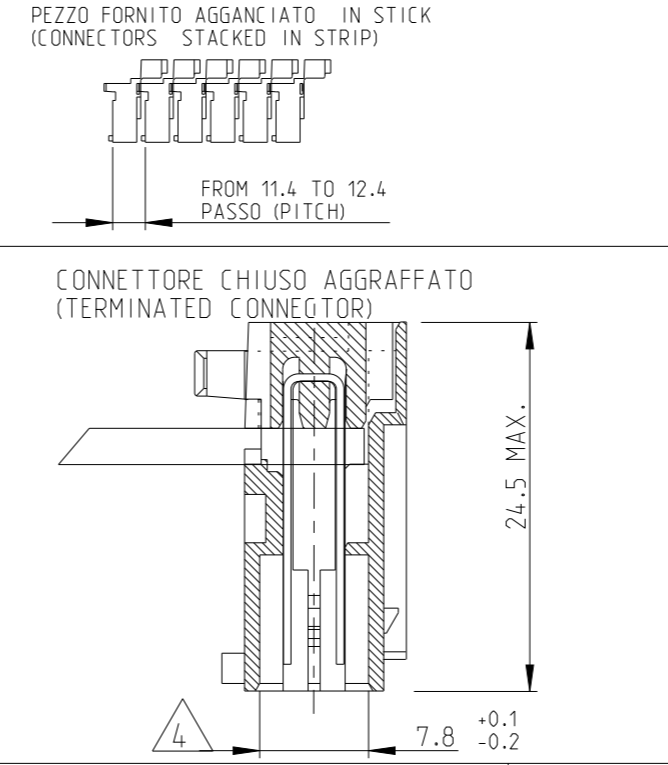
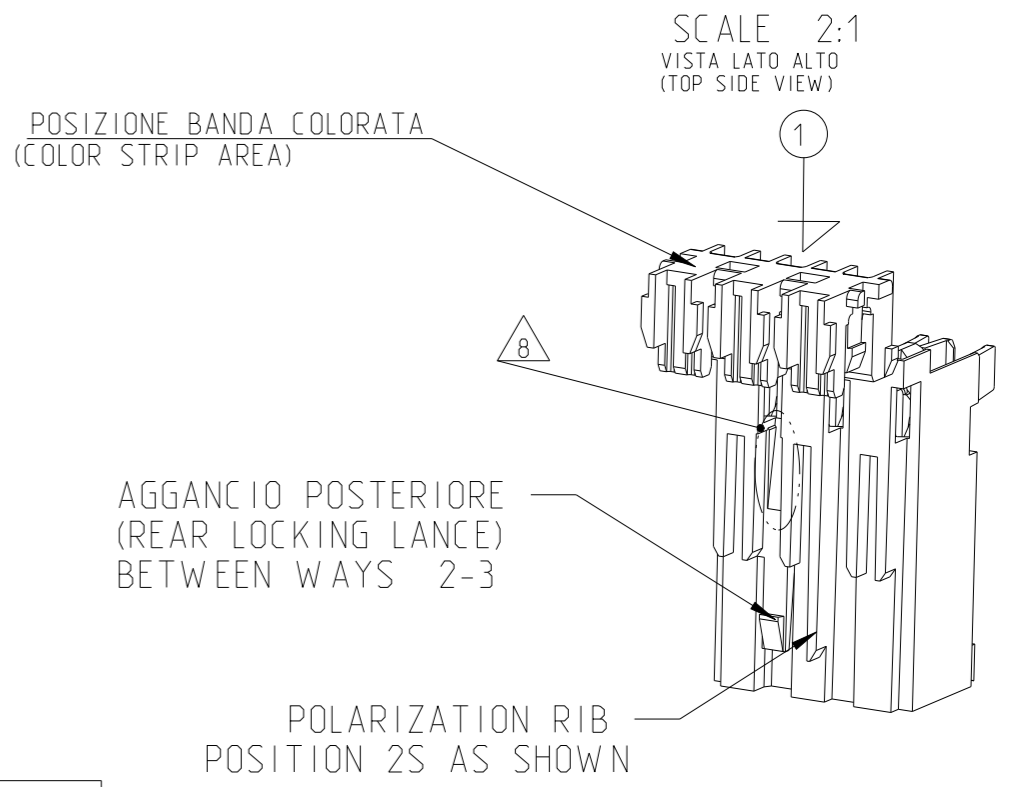
**STE** TE Connectivity

MONO SHAPE MK I TAB  
 SPECIAL 2-8 POS REAR LOCKING

SIZE A3 CAGE CODE 00779 DRAWING NO C-293491 RESTRICTED TO -

SCALE 2:1 SHEET 1 OF 3 REV D7

NUMERO DI VIE	CONFIGURAZIONE (Vista connettore dall'alto)	VERSIONE PEZZI IN VASSOIO	PART REV.	VERSIONE PEZZI SCIOLTI	PART REV.	POSIZIONE AGGANCIAMENTO (LATO POSTERIORE)	POSIZIONE POLARIZZAZIONE (LATO POSTERIORE) (SE PRESENTE)	L +0.2 -0.3 (mm)	NOTE MARCHIATURA CON BANDA COLORATA
NO OF POS	CONFIGURATION (View from top side)	TRAY PACKAGING VERSION		LOOSE PIECES PACKAGING VERSION		LOCKING POSITION (Back side)	POSITION FOR POLARIZATION ON BACK SIDE (IF PRESENT)		NOTE STRIP COLOUR
2		0-293491-2	D	-	-	1-2	1S-2D	9.9	-
2		1-293491-2	D	-	-	1-2	1S	9.9	-
2		2-293491-2	D	-	-	1-2	-	9.9	-
3		0-293491-3	D	-	-	2-3	2S	14.9	-
3		1-293491-3	D	-	-	1-2	1S-2D	14.9	BLACK
4		0-293491-4	D	-	-	1-2, 3-4	1S,2D,3S	19.9	-
4		1-293491-4	D	-	-	1-2, 3-4	1S,2D	19.9	-
8		0-293491-8	D	-	-	1-2, 7-8	2D,3S,6D,7S	39.9	-



NOTE/NOTES:

- 1) NUMERI DI IDENTIFICAZIONE CAVITA' (CIRCUIT IDENTIFICATION)
- 2) MARCHIO DI FABBRICA (LIBERA POSIZIONE) (TRADE MARK LOGO FREE POSITION)
- 3) L'AGGANCIAMENTO DELLA LINGUETTA E' POSIZIONATO SOLO NELLA CAVITA' N.1 (VEDI ANCHE NOTA 5) ED E' PRESENTE SOLO PER I CONNETTORI DI 2, 3 E 4 VIE. (THE RETENTION TOOTH IS LOCATED ONLY IN CAVITY N.1 (SEE ALSO NOTE 5) AND IS PRESENT ONLY FOR CONNECTORS WITH 2, 3 AND 4 POSITIONS).
- 4) DIVENTA 6.5 PER LA CAVITA' N. 1 SUI CONNETTORI (BECOMES 6.5. FOR THE CAVITY N.1)
- 5) GEOMETRIA ALTERNATIVA E OPZIONALE DEL DENTINO DI AGGANCIAMENTO (ALTERNATIVE AND OPTIONAL SHAPE FOR RETENTION TOOTH)
- 6) STATO DI FORNITURA: CONFEZIONAMENTO IN "VASSOI + SCATOLA" (PACKAGING: "ON TRAY PLUS CARTON BOX")
- 7) PRELIMINARY- PART NOT YEST RELEASED FOR PRODUCTION
- 8) SLIDE PROFILE (WEDGE SHAPE SLOT) ON THE AREA ABOVE THE LOCKING LANCE GEOMERTY TO FACILITATE UN-CHAINING PROCESS.
- 9) DIFFERENT CODING RIB GEOMETRY AT BOTH END. WIDTH OF CODING RIB REDUCED TO 1.1 mm FOR ALL REAR LOCKING VERSIONS
- 10) OBSOLETE

THIS DRAWING IS A CONTROLLED DOCUMENT.

DWN C.CORDOLA 02DEC2008  
 CHK G.TURCO 02DEC2008

APVD - -

PRODUCT SPEC 108-20065-1, 108-20065-2  
 APPLICATION SPEC 114-20016, 114-20016-1

NAME MONO SHAPE MK I TAB SPECIAL 2-8 POS REAR LOCKING

SIZE A3 CAGE CODE 00779 DRAWING NO C-293491 RESTRICTED TO -

MATERIAL SEE TABLE FINISH SEE TABLE WEIGHT -

CUSTOMER DRAWING SCALE 2:1 SHEET 2 OF 3 REV D7

THIS DRAWING IS UNPUBLISHED.

RELEASED FOR PUBLICATION

2008

© COPYRIGHT 2008

ALL RIGHTS RESERVED.

LOC

DIST

REVISIONS

P

LTR

DESCRIPTION

DATE

DWN

APVD

SEE SHEET 1

PA GF, UL-VO GWEPT 750 °C NO FLAME, NATURAL

NO OF POS	CONFIGURATION (View from top side) <sup>①</sup>	TRAY PACKAGING VERSION	PART REV	LOOSE PIECES PACKAGING VERSION	PART REV	LOCKING POSITION (Back side)	POSITION FOR POLARIZATION ON BACK SIDE (IF PRESENT)	L +0.2 -0.3 (mm)	NOTE STRIP COLOUR
2		2297762-2	D	-	-	1-2	1S-2D	9.9	-
		1-2297762-2	1	-	-	1-2	1S	9.9	-
3		2297762-3	1	-	-	1-2	1S-2D	14.9	-
		1-2297762-3	D	-	-	2-3	1D-2S-3D	14.9	-
4		2297762-4	D	-	-	1-2, 3-4	2D-3S-4D	19.9	-
5		2297762-5	1	-	-	2-3, 4-5	2S-4S	24.9	-
8		2297762-8	1	-	-	TBD	TBD	39.9	-

THIS DRAWING IS A CONTROLLED DOCUMENT.

DWN C.CORDOLA 02DEC2008

CHK G.TURCO 02DEC2008



DIMENSIONS: mm

TOLERANCES UNLESS OTHERWISE SPECIFIED:



0 PLC ±  
 1 PLC ±  
 2 PLC ±  
 3 PLC ±  
 4 PLC ±  
 ANGLES ±0° 30'

MATERIAL SEE TABLE

FINISH SEE TABLE

APVD -

NAME

MONO SHAPE MK I TAB SPECIAL 2-8 POS REAR LOCKING

PRODUCT SPEC

APPLICATION SPEC

SIZE CAGE CODE DRAWING NO RESTRICTED TO

A3 00779 C-293491

WEIGHT -

CUSTOMER DRAWING

SCALE 2:1

SHEET 3 OF 3

REV D7