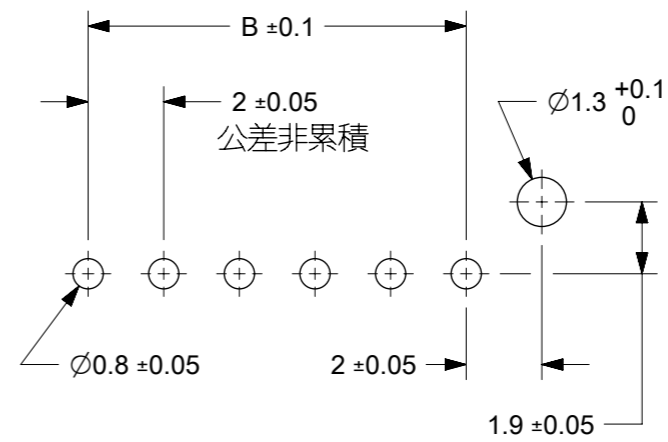
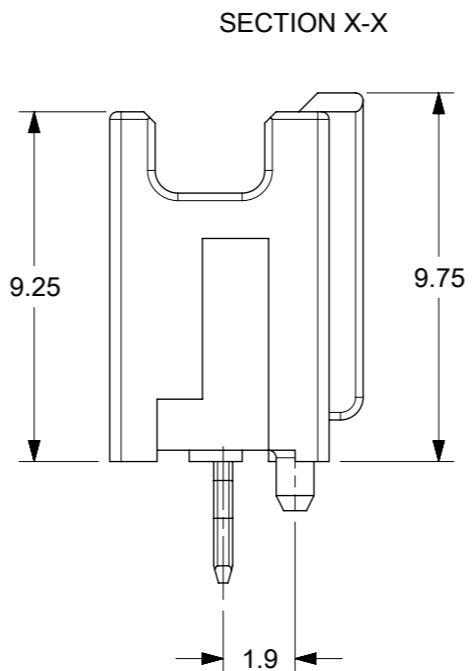
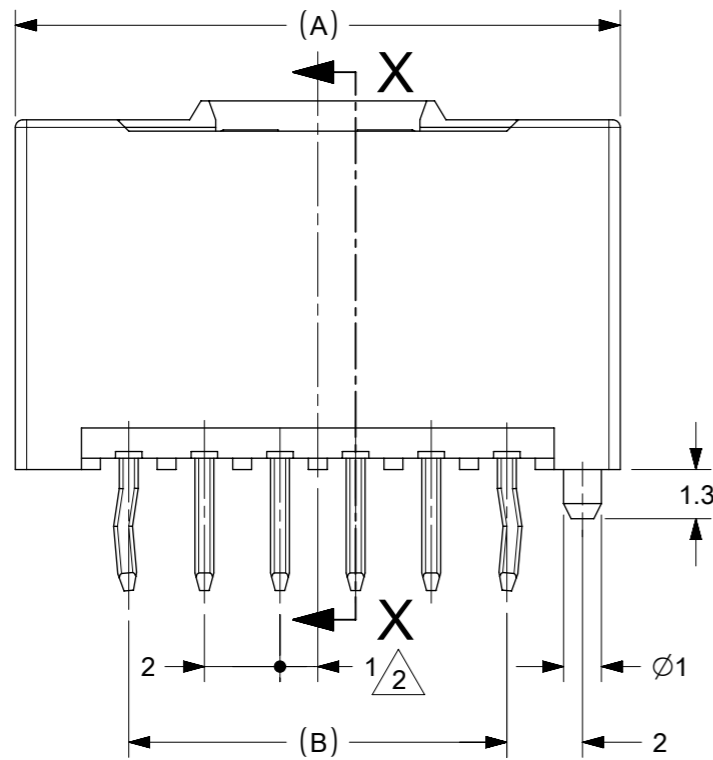


NOTE

1. 嵌合相手: 51382 シリーズ
MATE WITH : 51382 SERIES
 2. 偶数極 (列) に適用。
APPLY EVEN CIRCUIT PRODUCTS.
 3. キンクは両外側の位置に付加。
KINK TO BE APPLIED BOTH ENDS.
 4. 材質 ハウジング : ポリエステル(PBT) UL94V-0
MATERIALS HOUSING : POLYESTER(PBT) UL94V-0
 ピン : 黄銅
 PIN : BRASS
 5. めっき
ピン : 錫めっき, リフロー処理 (前めっき) めっき厚 : 1.0µm MIN.
 ニッケル下地めっき, めっき厚 : 0.5µm MIN.
- FINISHES
PIN : PRE-TIN PLATED, (HEAT TREATED MATTE TIN)
PLATING THICKNESS : 1.0µm MIN.
NICKEL UNDERPLATE OVERALL
PLATING THICKNESS : 0.5µm MIN.

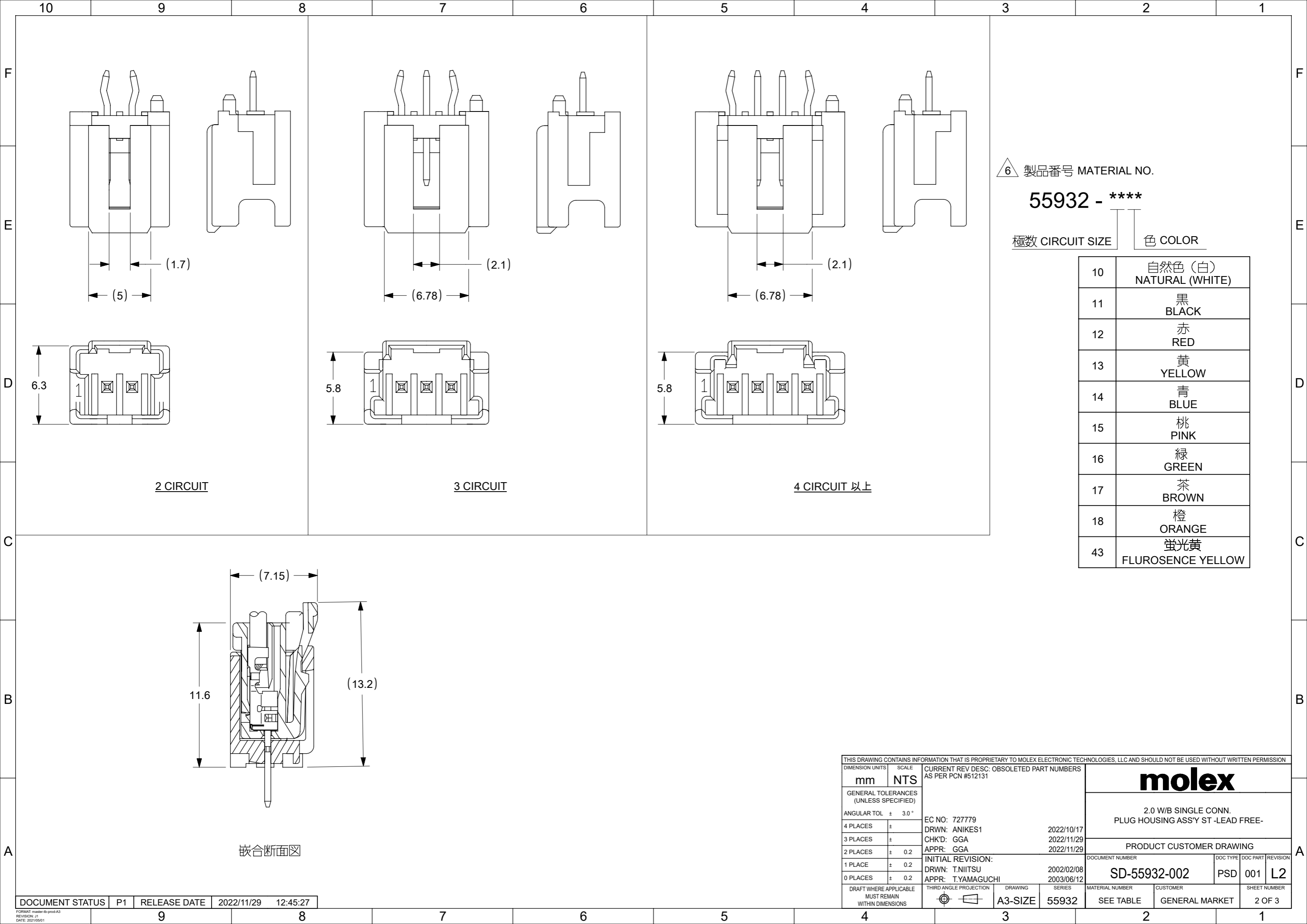


推奨基板寸法
(t = 1.6)

31	28	34	55932-15**	15
29	26	32	55932-14**	14
27	24	30	55932-13**	13
25	22	28	55932-12**	12
23	20	26	55932-11**	11
21	18	24	55932-10**	10
19	16	22	55932-09**	9
17	14	20	55932-08**	8
15	12	18	55932-07**	7
13	10	16	55932-06**	6
11	8	14	55932-05**	5
9	6	12	55932-04**	4
7	4	10	55932-03**	3
5	2	8	55932-02**	2
C	B	A	MATERIAL NO.	CKT.

MODEL NO. : 55932 - ****

THIS DRAWING CONTAINS INFORMATION THAT IS PROPRIETARY TO MOLEX ELECTRONIC TECHNOLOGIES, LLC AND SHOULD NOT BE USED WITHOUT WRITTEN PERMISSION									
DIMENSION UNITS	SCALE	CURRENT REV DESC: OBSOLETE PART NUMBERS AS PER PCN #512131							
mm	NTS	<p>2.0 W/B SINGLE CONN. PLUG HOUSING ASSY ST-LEAD FREE-</p> <p>PRODUCT CUSTOMER DRAWING</p>							
GENERAL TOLERANCES (UNLESS SPECIFIED)									
ANGULAR TOL	± 3.0°								
4 PLACES	±								
3 PLACES	±								
2 PLACES	± 0.2	EC NO: 727779	DRWN: ANIKES1	2022/10/17	DOCUMENT NUMBER				
1 PLACE	± 0.2	DRWN: T.NIITSU	2002/02/08	SD-55932-002					
0 PLACES	± 0.2	APPR: T.YAMAGUCHI	2003/06/12	PSD 001 L2					
DRAFT WHERE APPLICABLE MUST REMAIN WITHIN DIMENSIONS		THIRD ANGLE PROJECTION	DRAWING	SERIES	MATERIAL NUMBER	CUSTOMER	SHEET NUMBER		
			A3-SIZE	55932	SEE TABLE	GENERAL MARKET	1 OF 3		



△ 製品番号 MATERIAL NO.

55932 - ****

極数 CIRCUIT SIZE

色 COLOR

10	自然色 (白) NATURAL (WHITE)
11	黒 BLACK
12	赤 RED
13	黄 YELLOW
14	青 BLUE
15	桃 PINK
16	緑 GREEN
17	茶 BROWN
18	橙 ORANGE
43	蛍光黄 FLUROSENCE YELLOW

2 CIRCUIT

3 CIRCUIT

4 CIRCUIT 以上

嵌合断面図

THIS DRAWING CONTAINS INFORMATION THAT IS PROPRIETARY TO MOLEX ELECTRONIC TECHNOLOGIES, LLC AND SHOULD NOT BE USED WITHOUT WRITTEN PERMISSION													
DIMENSION UNITS mm		SCALE NTS		CURRENT REV DESC: OBSOLETE PART NUMBERS AS PER PCN #512131									
GENERAL TOLERANCES (UNLESS SPECIFIED)				<p>molex</p> <p>2.0 W/B SINGLE CONN. PLUG HOUSING ASSY ST -LEAD FREE-</p> <p>PRODUCT CUSTOMER DRAWING</p>									
ANGULAR TOL ± 3.0 °													
4 PLACES ±		EC NO: 727779								2022/10/17			
3 PLACES ±		DRWN: ANIKES1								2022/11/29			
2 PLACES ± 0.2		CHK'D: GGA								2022/11/29			
1 PLACE ± 0.2		APPR: GGA		INITIAL REVISION:									
0 PLACES ± 0.2		DRWN: T.NIITSU		2002/02/08		DOCUMENT NUMBER		DOC TYPE DOC PART REVISION					
DRAFT WHERE APPLICABLE MUST REMAIN WITHIN DIMENSIONS		THIRD ANGLE PROJECTION		DRAWING		SERIES		MATERIAL NUMBER					
		A3-SIZE		55932		SD-55932-002		PSD 001 L2					
						CUSTOMER		SHEET NUMBER					
						GENERAL MARKET		2 OF 3					

F
E
D
C
B
A

自然色 (白) NATURAL (WHITE)	黒 BLACK	赤 RED	黄 YELLOW	青 BLUE	桃 PINK	緑 GREEN	茶 BROWN	オレンジ ORANGE	蛍光黄 FLUORESCENCE YELLOW
559321510	559321511	---	---	---	---	---	---	---	---
559321410	---	---	---	---	---	---	---	---	---
559321310	---	---	---	---	---	---	---	---	---
559321210	---	---	---	---	---	---	---	---	---
559321110	---	---	---	---	---	---	---	---	---
559321010	---	---	---	---	---	---	---	---	---
559320910	---	---	---	---	---	---	---	---	---
559320810	---	---	---	---	---	---	---	---	---
559320710	559320711	---	---	---	---	---	---	---	---
559320610	---	---	---	---	---	---	---	---	---
559320510	559320511	---	---	---	---	---	---	---	---
559320410	559320411	---	---	---	---	---	---	---	---
559320310	559320311	559320312	559320313	559320314	---	559320316	559320317	559320318	---
559320210	559320211	---	---	559320214	559320215	---	---	559320218	559320243
R MATERIAL NO.	R MATERIAL NO.	R MATERIAL NO.	R MATERIAL NO.	R MATERIAL NO.	R MATERIAL NO.	R MATERIAL NO.	R MATERIAL NO.	R MATERIAL NO.	R MATERIAL NO.

THIS DRAWING CONTAINS INFORMATION THAT IS PROPRIETARY TO MOLEX ELECTRONIC TECHNOLOGIES, LLC AND SHOULD NOT BE USED WITHOUT WRITTEN PERMISSION

DIMENSION UNITS mm	SCALE NTS	CURRENT REV DESC: OBSOLETE PART NUMBERS AS PER PCN #512131	molex		
GENERAL TOLERANCES (UNLESS SPECIFIED)		EC NO: 727779			
ANGULAR TOL ± 3.0 °	4 PLACES ±	DRWN: ANIKES1 2022/10/17	PRODUCT CUSTOMER DRAWING		
3 PLACES ±	2 PLACES ± 0.2	CHK'D: GGA 2022/11/29	DOCUMENT NUMBER		
1 PLACE ± 0.2	0 PLACES ± 0.2	APPR: GGA 2022/11/29	SD-55932-002		
DRAFT WHERE APPLICABLE MUST REMAIN WITHIN DIMENSIONS	THIRD ANGLE PROJECTION	INITIAL REVISION: DRWN: T.NIITSU 2002/02/08 APPR: T.YAMAGUCHI 2003/06/12	DOC TYPE PSD	DOC PART 001	REVISION L2
		DRAWING A3-SIZE	SERIES 55932	MATERIAL NUMBER SEE TABLE	CUSTOMER GENERAL MARKET
					SHEET NUMBER 3 OF 3