



THIS DRAWING IS UNPUBLISHED. RELEASED FOR PUBLICATION 2011  
 © COPYRIGHT 2011 BY - ALL RIGHTS RESERVED.

LOC		DIST		REVISIONS			
P	LTR	DESCRIPTION	DATE	DWN	APVD		
-		SEE SHEET 1	-	-	-		

### POLARIZATION TYPES

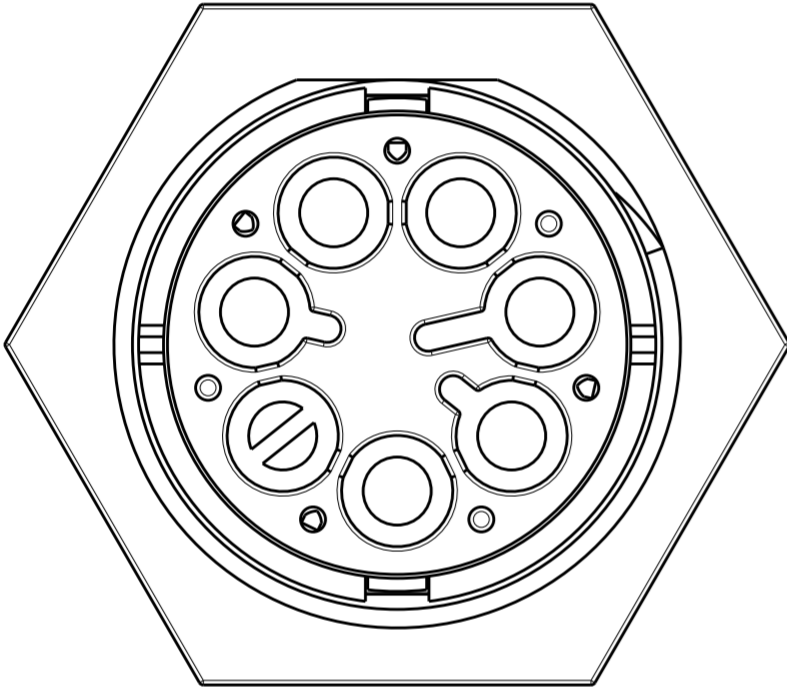
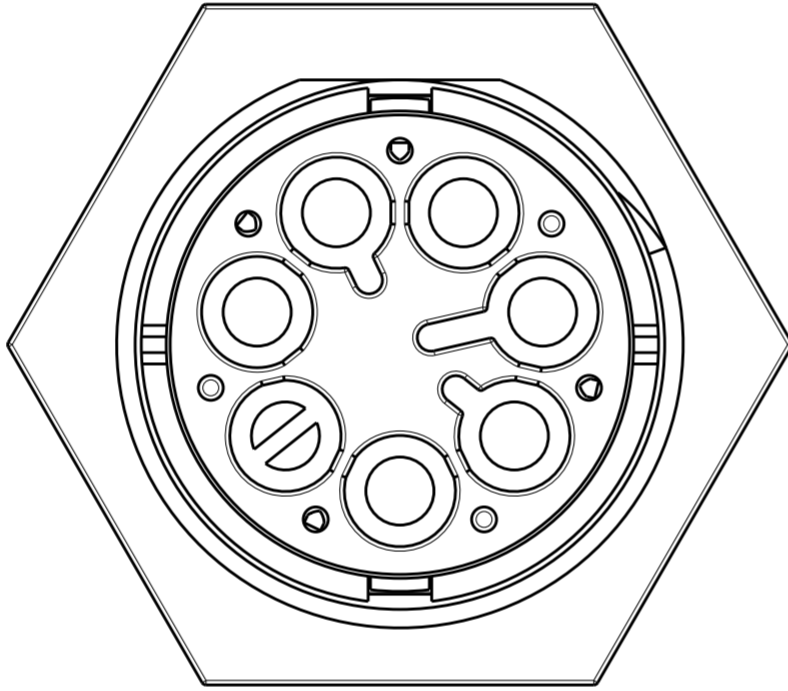
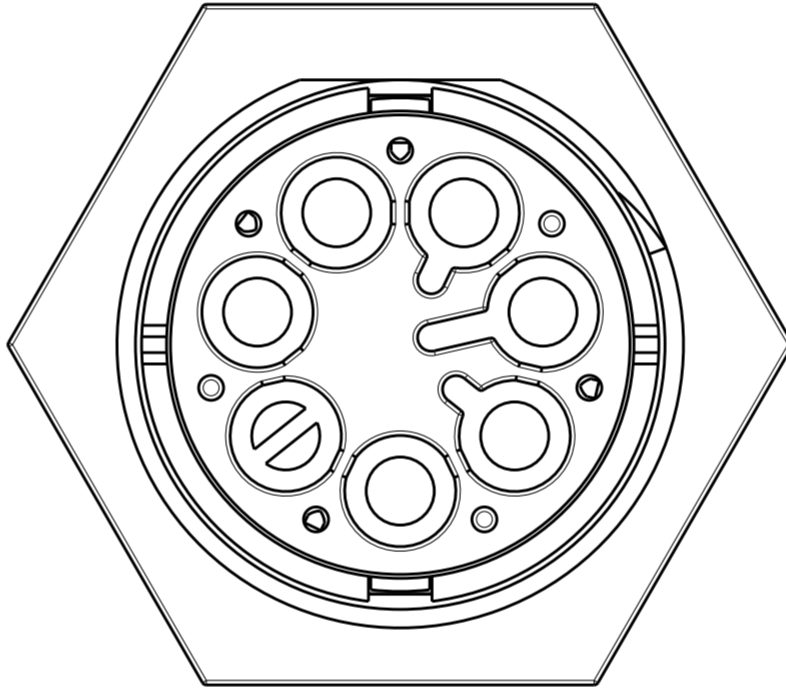

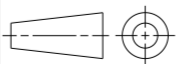
POLARIZATION TYPE "A"	POLARIZATION TYPE "B"	POLARIZATION TYPE "C"
		
PNs 0-293674-3 AND 1-293674-3	PNs <del>0-293674-4</del> AND <del>1-293674-4</del>	PNs <del>0-293674-5</del> AND <del>1-293674-5</del>

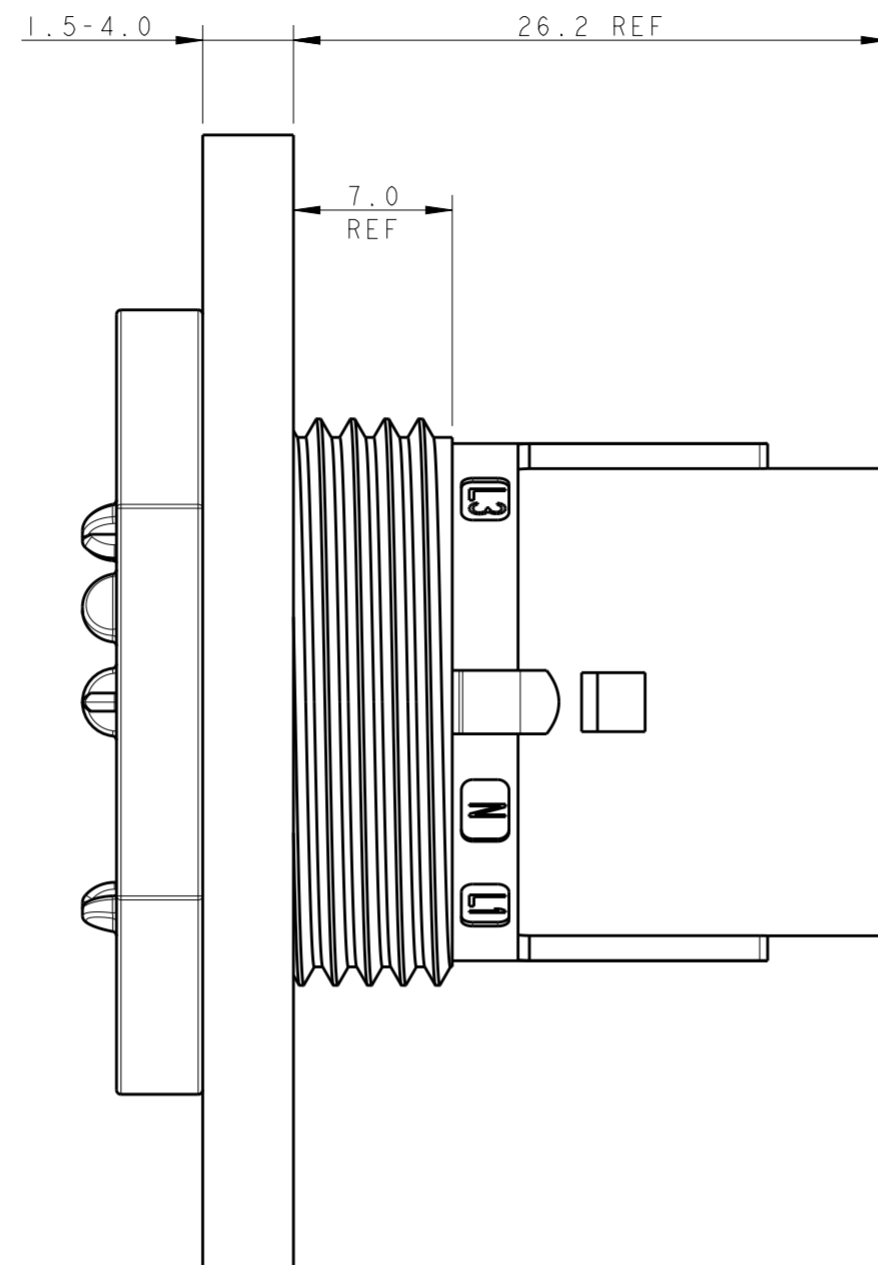
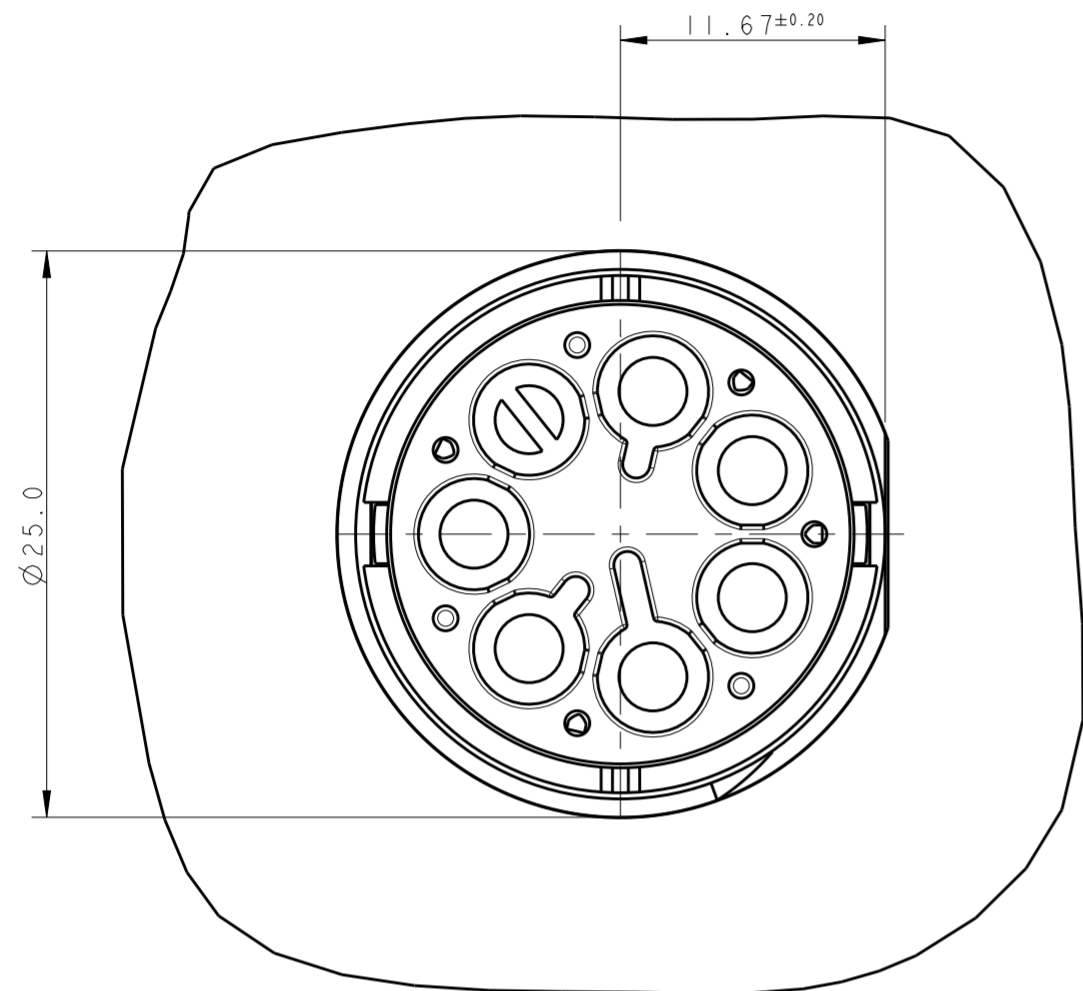
TABLE 1					
NOTE	POL. KEYING	COLOUR	DESCRIPTION	REV.	P/N
OBSOLETE		BLACK	PIN HSG 6 POLES PANEL MOUNT NECTOR* M-LINE	A	<del>1-293674-5</del>
OBSOLETE		BLACK	PIN HSG 6 POLES PANEL MOUNT NECTOR* M-LINE	A	<del>1-293674-4</del>
OBSOLETE		BLACK	PIN HSG 6 POLES PANEL MOUNT NECTOR* M-LINE	A	<del>1-293674-3</del>
OBSOLETE		NATURAL	PIN HSG 6 POLES PANEL MOUNT NECTOR* M-LINE	A	<del>0-293674-5</del>
OBSOLETE		NATURAL	PIN HSG 6 POLES PANEL MOUNT NECTOR* M-LINE	A	<del>0-293674-4</del>
OBSOLETE		NATURAL	PIN HSG 6 POLES PANEL MOUNT NECTOR* M-LINE	A	<del>0-293674-3</del>

THIS DRAWING IS A CONTROLLED DOCUMENT.		DWN A. BERNARDI 31MAR2011	 TE Connectivity	
DIMENSIONS: mm		CHK M. ZUCCA 31MAR2011		
TOLERANCES UNLESS OTHERWISE SPECIFIED:		APVD G. TURCO 31MAR2011	NAME PIN HOUSING 6 POLES PANEL MOUNT M-LINE NECTOR	
		PRODUCT SPEC 108-20324	RESTRICTED TO	
MATERIAL		APPLICATION SPEC 114-20169	SIZE A200779	CAGE CODE C-293674
FINISH		WEIGHT -	SCALE 3:1	SHEET 2 OF 3
-		Customer Drawing	REV A1	

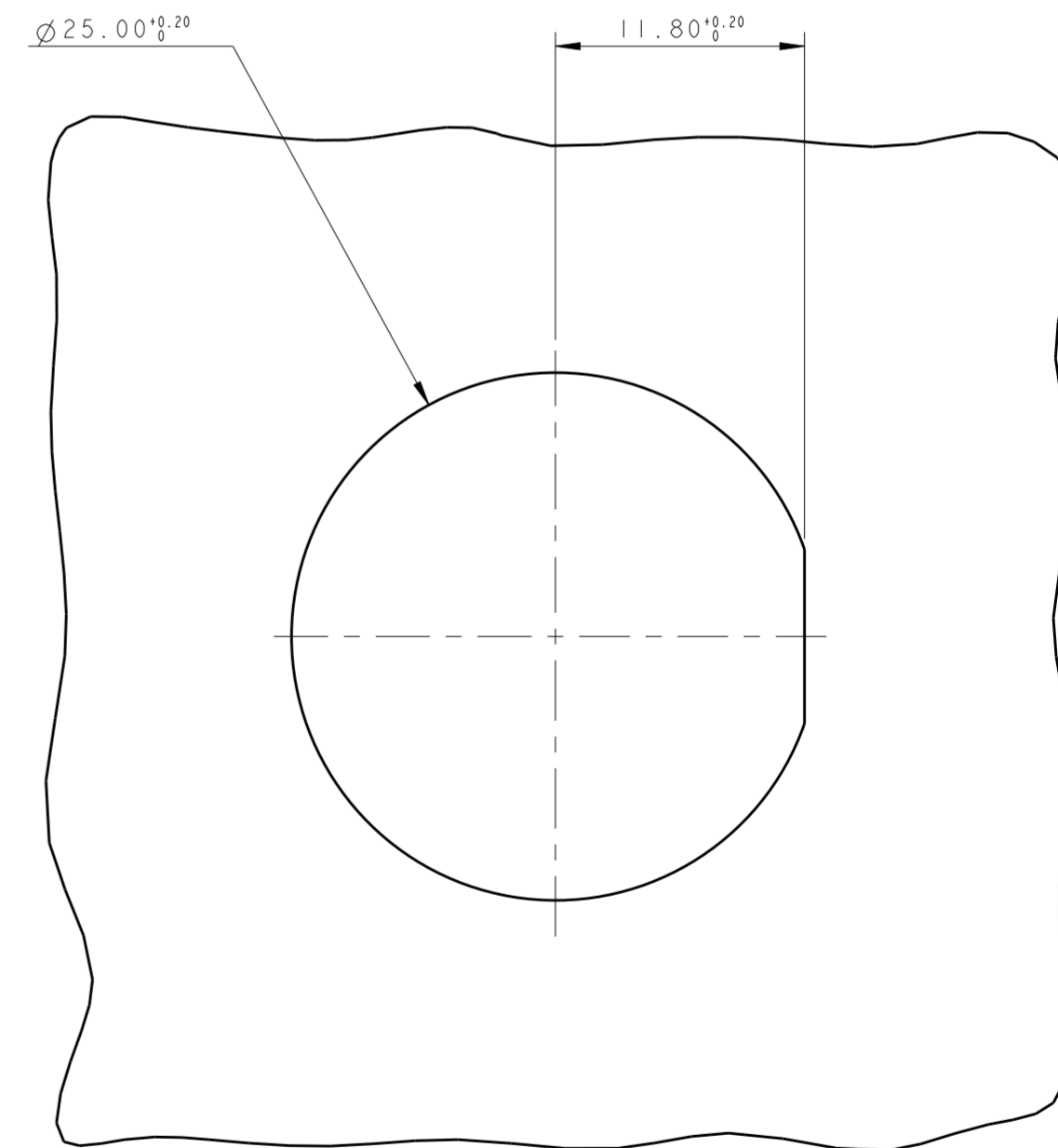
THIS DRAWING IS UNPUBLISHED. RELEASED FOR PUBLICATION 2011  
 © COPYRIGHT 2011 BY - ALL RIGHTS RESERVED.

LOC		DIST		REVISIONS			
P	LTR	DESCRIPTION	DATE	DWN	APVD		
-	-	SEE SHEET 1	-	-	-		

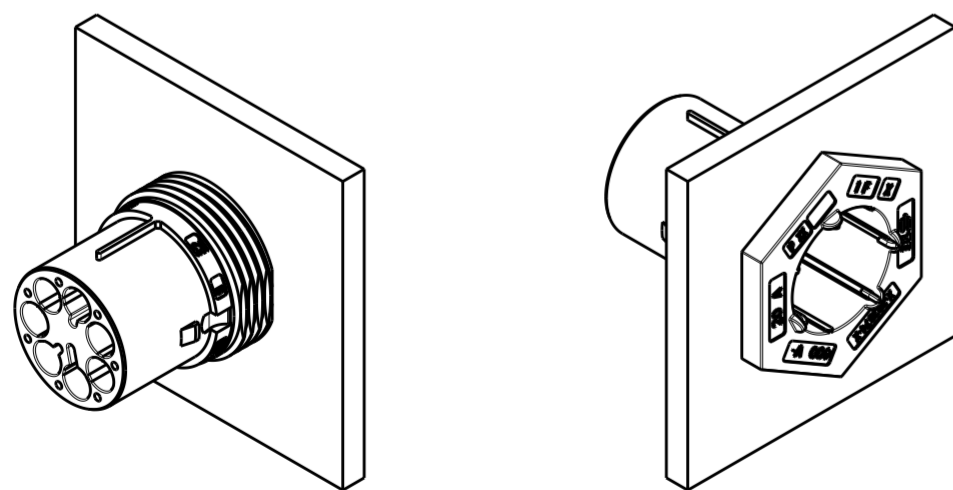
### PN 293674-3 AS SHOWN




### PANEL/WALL SUGGESTED LAYOUT



3D VIEWS  
 FOR REFERENCE ONLY  
 PN 293674-3 AS SHOWN



SCALE 1:1

THIS DRAWING IS A CONTROLLED DOCUMENT.		DWN A. BERNARDI 31MAR2011	 TE Connectivity	
DIMENSIONS: mm		CHK M. ZUCCA 31MAR2011		
TOLERANCES UNLESS OTHERWISE SPECIFIED:		APVD G. TURCO 31MAR2011	NAME PIN HOUSING 6 POLES PANEL MOUNT M-LINE NECTOR	
0 PLC ± 1 PLC ±0.3 2 PLC ±0.20 3 PLC ± 4 PLC ±		PRODUCT SPEC 108-20324	RESTRICTED TO	
ANGLES ±3°		APPLICATION SPEC 114-20169	SIZE A200779	CAGE CODE C-293674
FINISH		WEIGHT -	SCALE 3:1	SHEET 3 OF 3
MATERIAL -		Customer Drawing	REV A1	