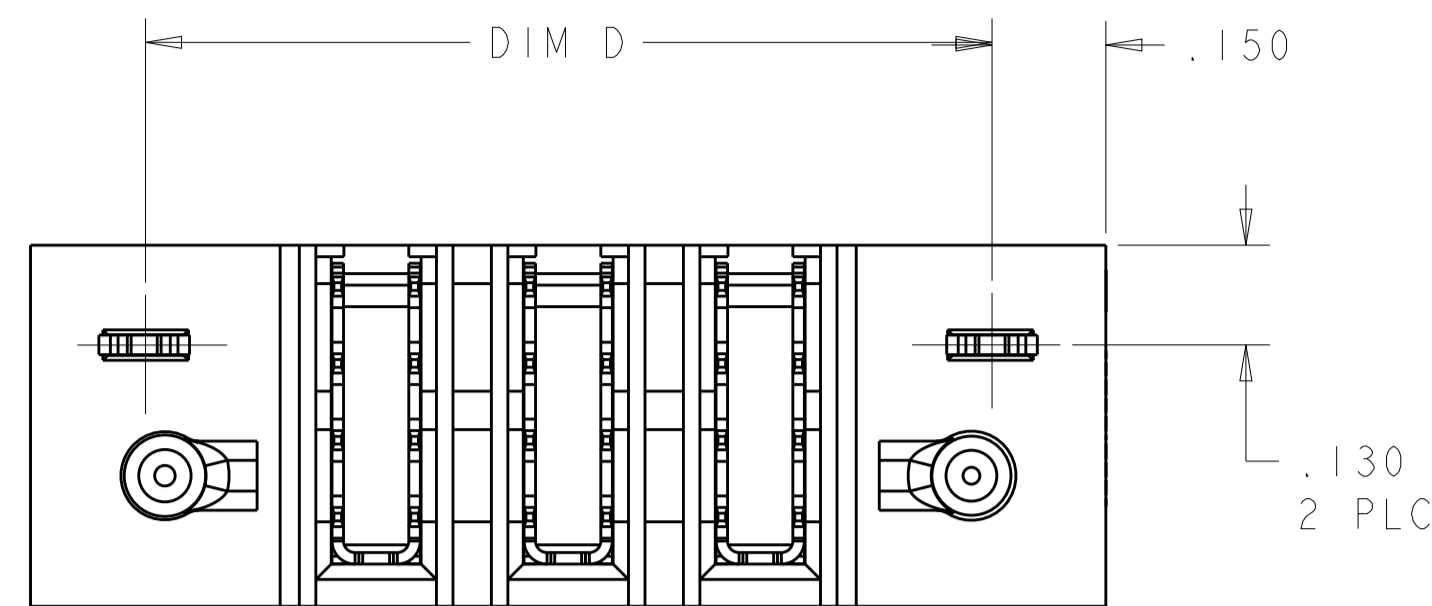
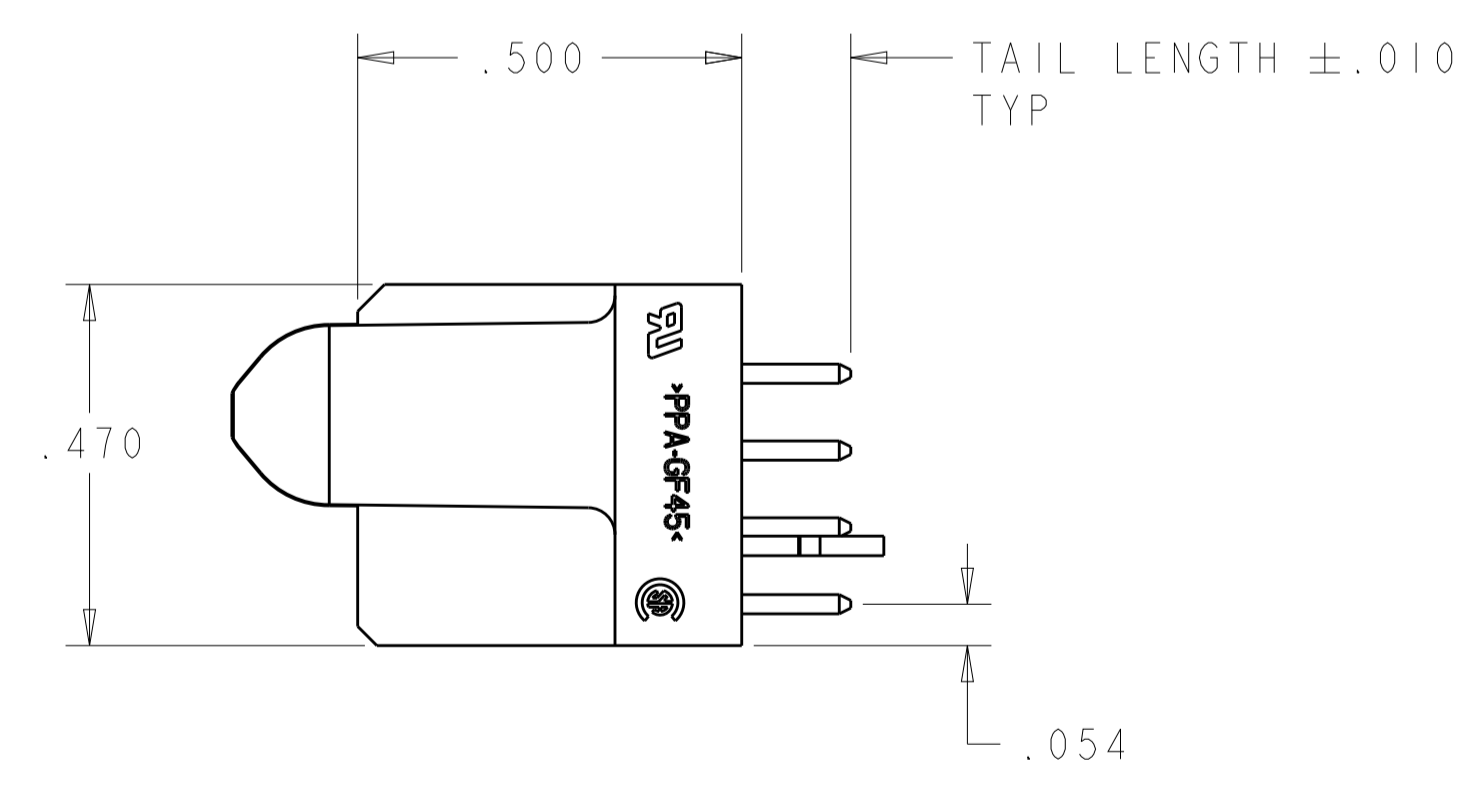
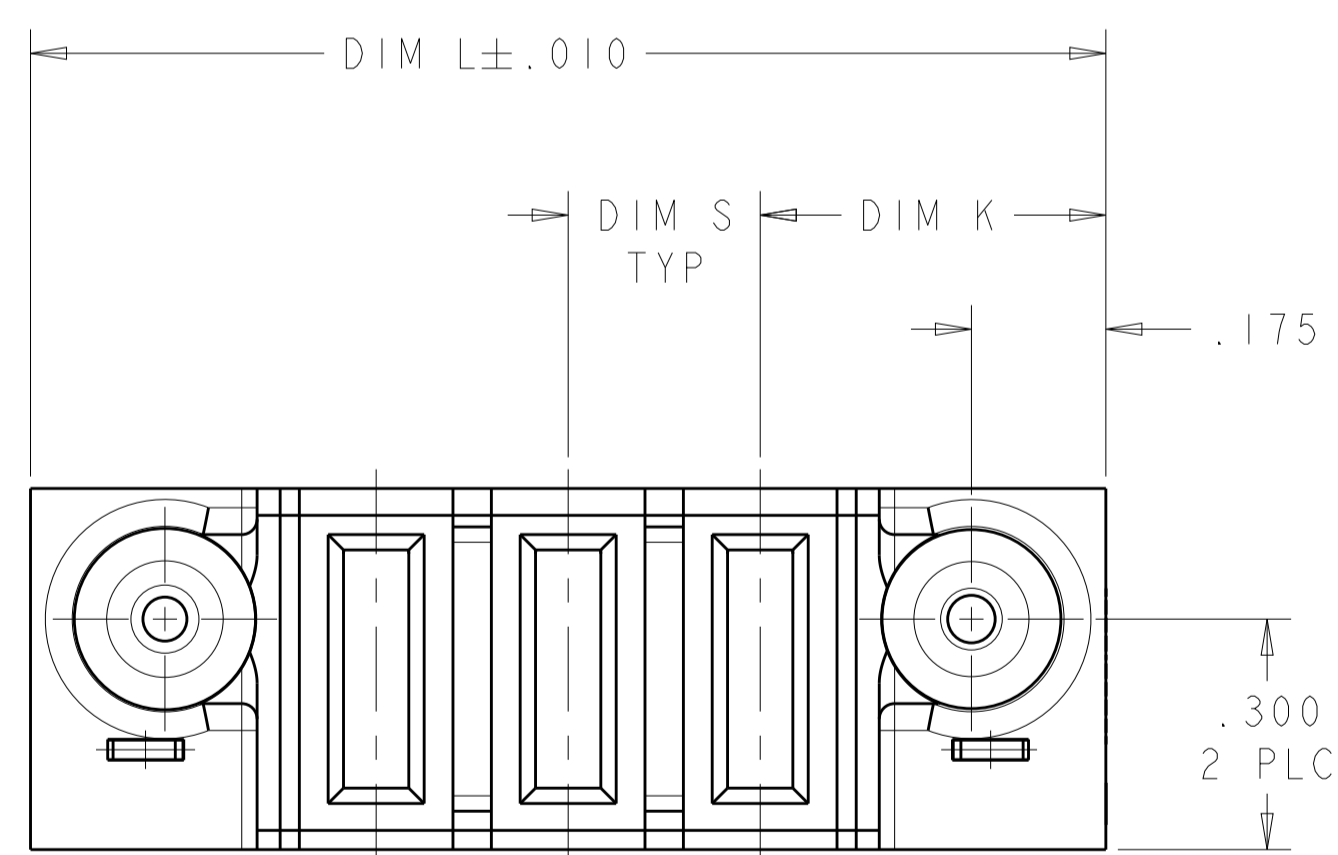
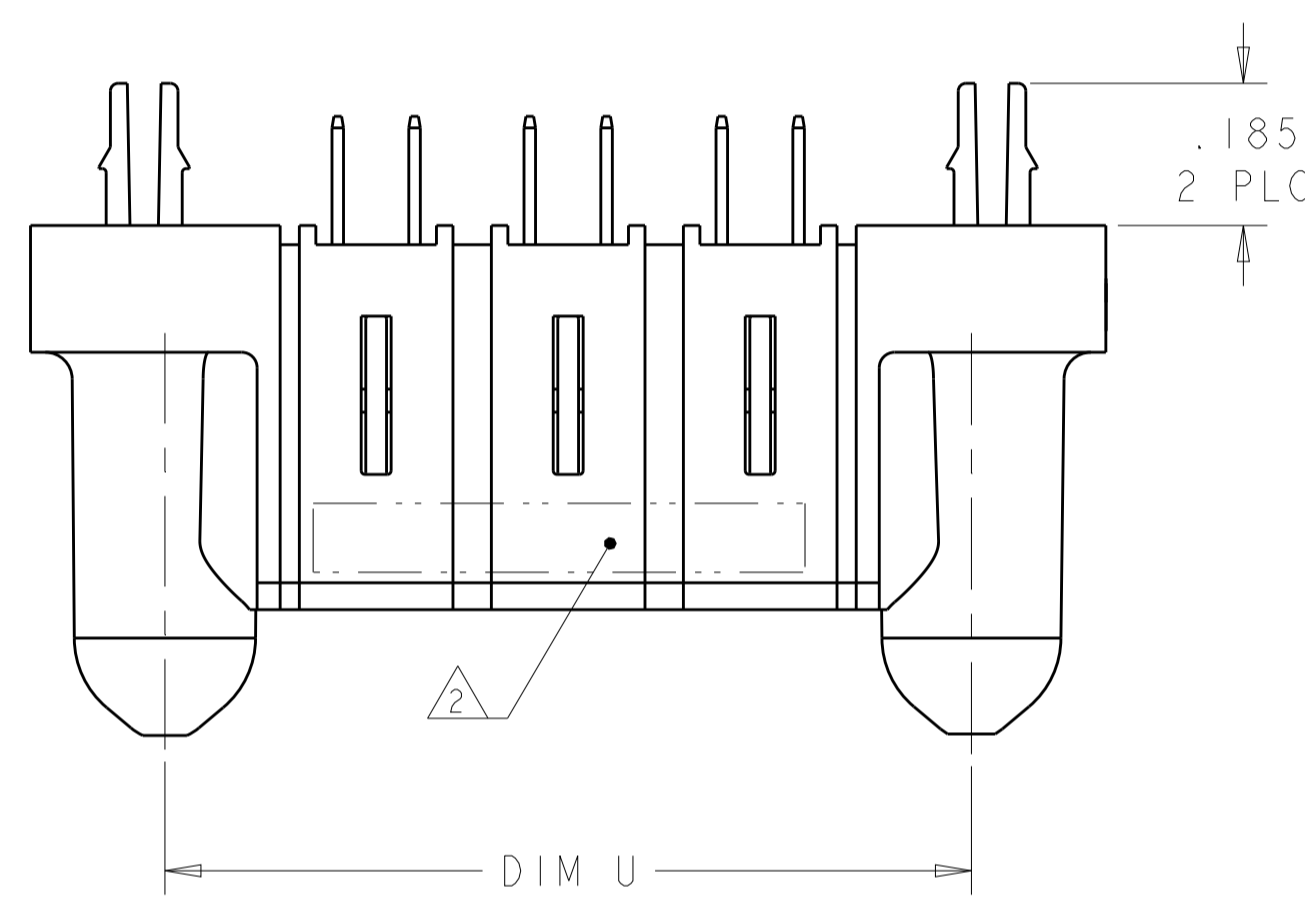


LOC	DIST	REVISIONS			
P	LTN	DESCRIPTION	DATE	DMN	APVD
A2		ADD NEW PART -4	28NOV2012	AY	SZ



- ⚠ AMP, PART NUMBER, AND DATE CODE TO BE MARKED IN AREA SHOWN
PARTS UNDER 2.00 LONG MAY BE MARKED ON BOTH SIDES
- ⚠ MATERIAL: HOUSING - GLASS FILLED HIGH TEMP THERMO PLASTIC, UL94 V-0
POWER CONTACT - HIGH CONDUCTIVITY COPPER ALLOY
- ⚠ CONTACT PLATING: NOBLE METAL PLATING ON CONTACT FUNCTIONAL AREA
OF POWER AND SIGNAL CONTACTS
- ⚠ MECHANICAL CONNECTOR KEEP OUT ZONE
- ⚠ DATUM AND BASIC DIMENSIONS ESTABLISHED BY CUSTOMER
- ⚠ PCB: ALL HOLE DIAMETERS ARE FINISHED HOLE SIZES
- ⚠ PCB: .0453 +/- .0010 DRILLED HOLES PLATED WITH .000300 MIN Sn OVER
.000100-.000300 PLATING TO ACHIEVE A .040 HOLE



DIM U	DIM S	DIM D	DIM L	DIM K	DESCRIPTION	PART NUMBER
2.050	.250	2.100	2.400	.450	7P	6450143-4
1.800	.250	1.850	2.150	.450	6P	6450143-3
1.300	.250	1.350	1.650	.450	4P	6450143-2
1.050	.250	1.100	1.400	.450	3P	6450143-1

THIS DRAWING IS A CONTROLLED DOCUMENT. DWG: R.GRZYBOWSKI 15FEB05
 CHK: M.PERCHEKKE 15FEB05
 APVD: M.PERCHEKKE

STE TE Connectivity

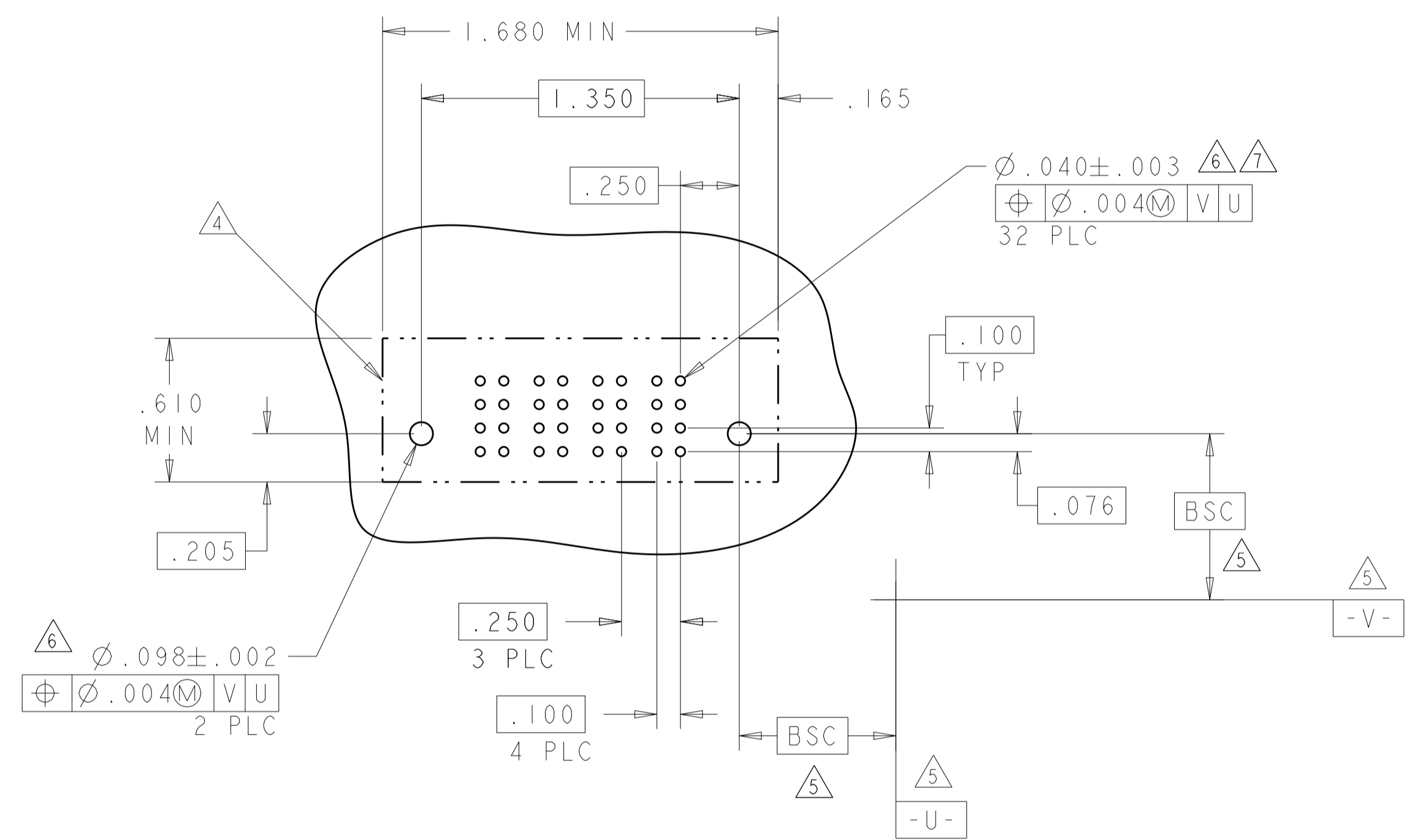
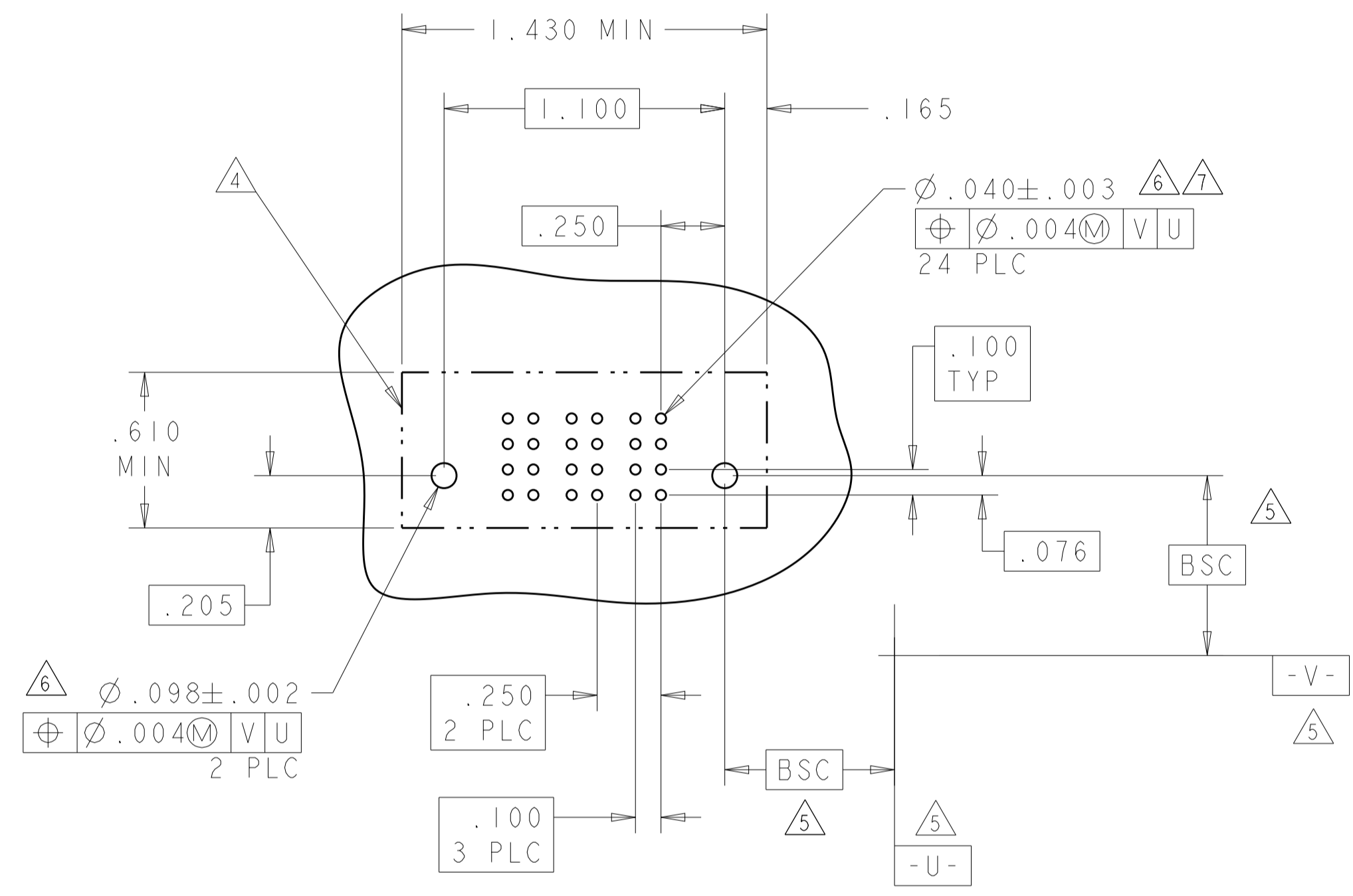
NAME: VERTICAL RECEPTACLE ASSEMBLY WITH GUIDES MULTI-BEAM XL
 PRODUCT SPEC: 108-1973
 APPLICATION SPEC: 114-13038

SIZE: A1 CAGE CODE: 6450143 DRAWING NO: 100779
 WEIGHT: - RESTRICTED TO: -
 MATERIAL: - FINISH: - CUSTOMER DRAWING SCALE: 1:1 SHEET: 1 OF 4 REV: A2

LOC	DIST	REVISIONS			
P	LTN	DESCRIPTION	DATE	DMN	APVD
-	-	SEE SHEET 1	-	-	-

PART NUMBER	ROWS	POWER		
		P3	P2	P1
6450143-1	D	VA	VA	VA
	C	VA	VA	VA
3P		HD	HD	HD

PART NUMBER	ROWS	POWER			
		P4	P3	P2	P1
6450143-2	D	VA	VA	VA	VA
	C	VA	VA	VA	VA
4P		HD	HD	HD	HD




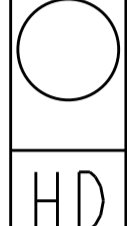
CODE	TAIL LENGTH	DESCRIPTION
VA	.135	MFBL
VM	.135	STD
POWER CONTACT		

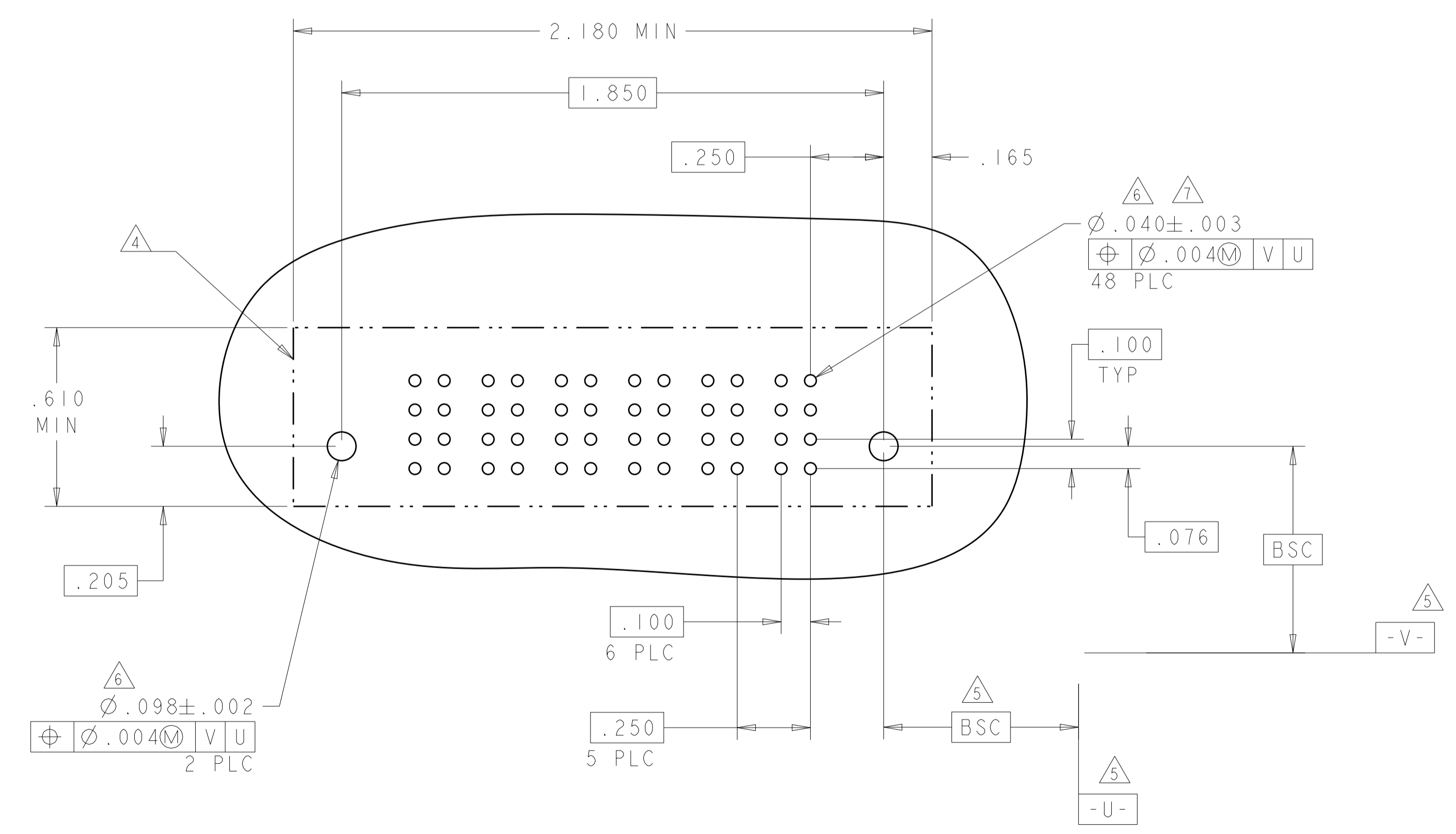
THIS DRAWING IS A CONTROLLED DOCUMENT.


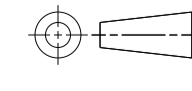
DIMENSIONS: INCHES	TOLERANCES UNLESS OTHERWISE SPECIFIED: 0 PLC ± 1 PLC ±.01 2 PLC ±.01 3 PLC ±.005 4 PLC ±.0020 ANGLES ±2°	FINISH	FINISH
-----------------------	--	--------	--------

DMN: R. GRZYBOWSKI	15FEB05	TE Connectivity	NAME: VERTICAL RECEPTACLE ASSEMBLY WITH GUIDES MULTI-BEAM XL
CHK: M. PERCHERKE	15FEB05		
APVD: M. PERCHERKE		PRODUCT SPEC: 108-1973	RESTRICTED TO:
		APPLICATION SPEC: 114-13038	SIZE: A1
MATERIAL: -	FINISH: -	WEIGHT: -	CAGE CODE: 6450143
CUSTOMER DRAWING		SCALE: 1:1	SHEET 2 OF 4 REV A2

LOC	DIST	REVISIONS			
P	LTN	DESCRIPTION	DATE	DMN	APVD
-	-	SEE SHEET 1	-	-	-

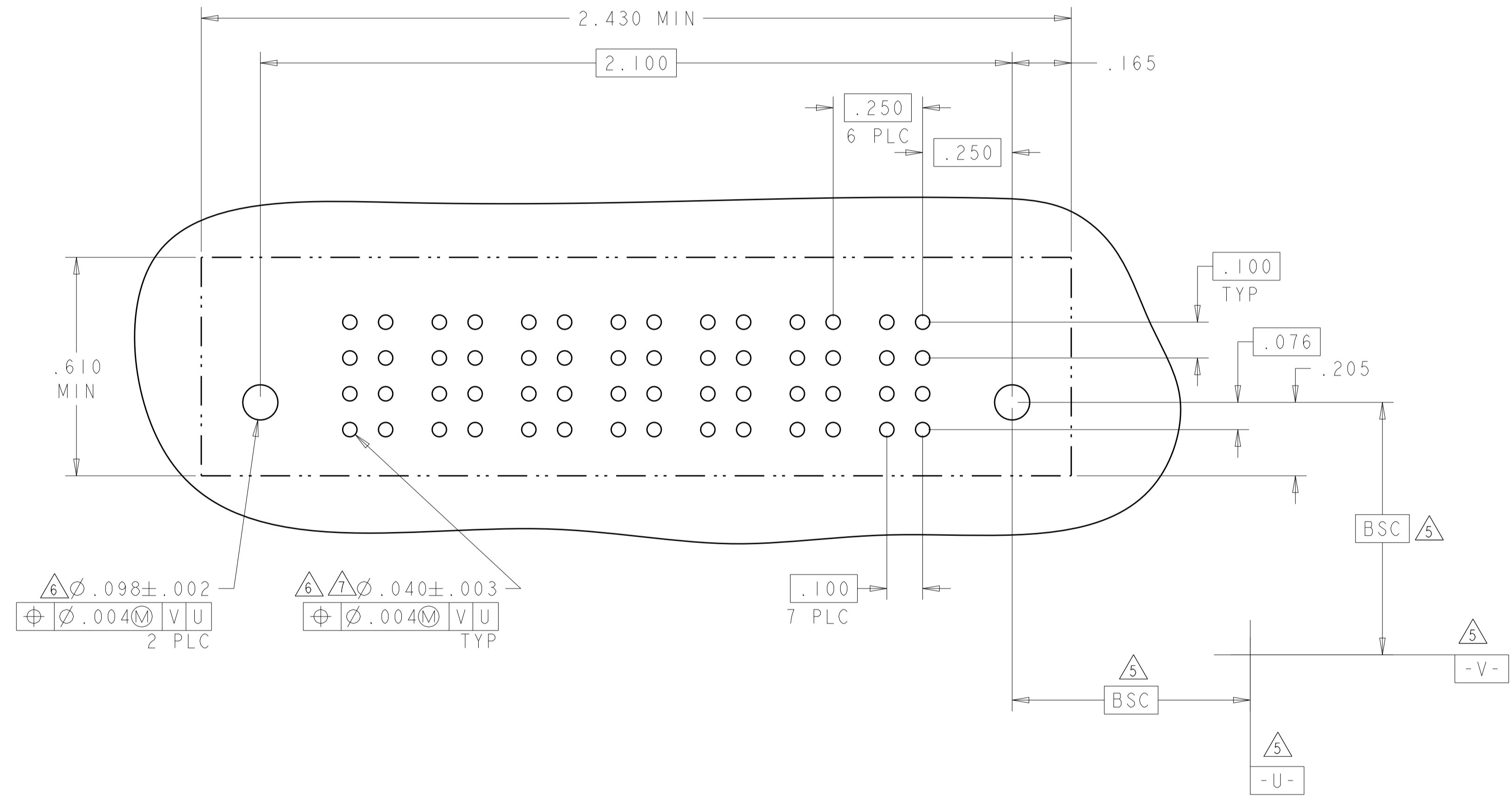
PART NUMBER	ROWS	POWER	POWER						
			P6	P5	P4	P3	P2	P1	
6450143-3	D C B A	 HD	VM	VM	VM	VM	VM	VM	 HD
6 P									



THIS DRAWING IS A CONTROLLED DOCUMENT.		DMN R. GRZYBOWSKI 15FEB05	15FEB05	 TE Connectivity
DIMENSIONS: INCHES		CHK M. PERCHERKE	APVD M. PERCHERKE	
 0 PLC ±. 2 PLC ±.01 3 PLC ±.005 4 PLC ±.0020 ANGLES ±.2°		PRODUCT SPEC 108-1973 APPLICATION SPEC 114-13038		NAME VERTICAL RECEPTACLE ASSEMBLY WITH GUIDES MULTI-BEAM XL
MATERIAL -		WEIGHT -		RESTRICTED TO A100779C=6450143
FINISH -		CUSTOMER DRAWING		SCALE 1:1 SHEET 3 OF 4 REV A2

LOC	DIST	REVISIONS			
P	LTN	DESCRIPTION	DATE	DMN	APVD
GP	00	SEE SHEET 1	-	-	-

PART NUMBER	ROWS		POWER							
			P7	P6	P5	P4	P3	P2	P1	
6450143-4	D C B A	○	VA	VA	VA	VA	VA	VA	VA	○
			HD							HD
7P										



THIS DRAWING IS A CONTROLLED DOCUMENT.		DMN R. GRZYBOWSKI 15FEB05	15FEB05	TE Connectivity
DIMENSIONS: INCHES		CHK M. PERCHERKE	15FEB05	
TOLERANCES UNLESS OTHERWISE SPECIFIED: 0 PLC ±. 1 PLC ±.01 2 PLC ±.01 3 PLC ±.005 4 PLC ±.0020 ANGLES ±.2°		APVD M. PERCHERKE	NAME	VERTICAL RECEPTACLE ASSEMBLY WITH GUIDES MULTI-BEAM XL
MATERIAL		PRODUCT SPEC	108-1973	RESTRICTED TO
FINISH		APPLICATION SPEC	114-13038	SIZE
WEIGHT		WEIGHT	-	CAGE CODE
CUSTOMER DRAWING		SCALE	1:1	DRAWING NO
SHEET		4	OF	4
REV		A2	DRAWING NO	