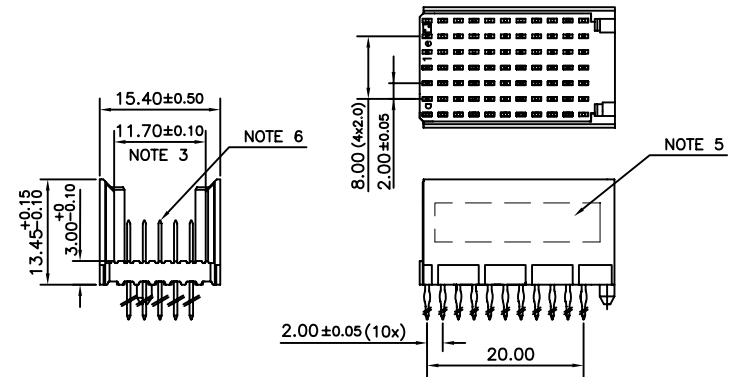


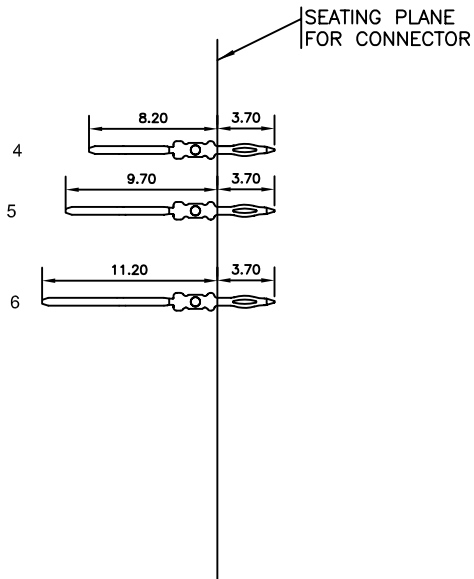
LOADING PATTERN MATING SIDE

f	0	0	0	0	0	0	0	0	0	0
e	5	5	5	5	5	5	5	5	5	5
d	5	5	5	5	5	5	5	5	5	5
c	5	5	5	5	5	5	5	6	5	5
b	5	5	5	5	5	5	5	5	5	5
a	4	5	5	5	5	5	5	5	5	4
z	0	0	0	0	0	0	0	0	0	0
P	0									
S	1									

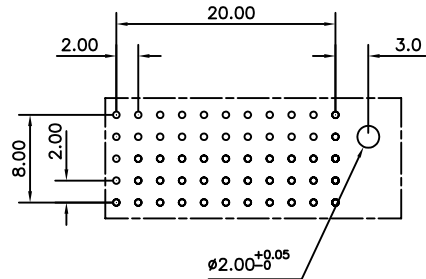
LOADED CONNECTOR ASSEMBLY
(FOR EXAMPLE)



CONTACT OVERVIEW



LAY-OUT P.C.B.-HOLE



HM2P09PDM3U0-
LEAD FREE INDICATOR : LF = LEAD FREE (DIGIT 15 & 16)

PLATING CODE (DIGIT 13 AND 14)
(REF DRW NO. BS,C , 201844 , 003)

NOTES

- THIS PRODUCT IS CSA APPROVED.
 - THIS PRODUCT IS UL RECOGNIZED.
 - MEASURED AT THE BOTTOM.
 - MATERIAL CONTACT: PHOSPHORBRONZE
HOUSING: CREAM WHITE GLASS FILLED POLYESTER UL-94V0
 - CONNECTOR PRINTED WITH P/N AND DATE CODE.
 - FOR ACTUAL CONTACT LOADINGS, SEE LOADING PATTERN MATING SIDE.
 - SHAPE OF CONNECTOR HOUSING CAN ALTER DEPENDING ON PRODUCTION LOCATION
 - THIS PRODUCT (LF) MEETS EUROPEAN UNION DIRECTIVES AND OTHER COUNTRY REGULATIONS AS DESCRIBED IN GS-22-008
 - FOR RECOMMENDED PTH DIMENSIONS REFER DRAWING : BS, A , 201572 , 001
- CATALOG NO: HM2P09PDM3U0----

mat'l. code SEE NOTE 4		surface ISO 1302		tolerance ISO 406 ISO 1101		projection MM		product family MILLIPACS	
ltr	ecn no	dr	date	tolerances unless otherwise specified		MM		title	
A	109-0201	GT	2009-09-23	angles	linear	scale		MPACS 5+2R STR HDR PF CONN TYPE C	
				0°±1°				dwg no	
								sheet 1 of 1	
				dr	GEORGE THOMAS	2009-09-23		size	
				enr	ALEX BABU	2009-09-23		A3	
				chr	ALEX BABU	2009-09-23		BS, C , 203028, 896	
				appd	ALEX BABU	2009-09-23		type Product Customer Drawing	
sheet index	revision sheet	A	1						