

REVISIONS			
LTR	DESCRIPTION	DATE	APPROVED
N/C	INITIAL RELEASE, ECN# T-4028	2-23-83	JP

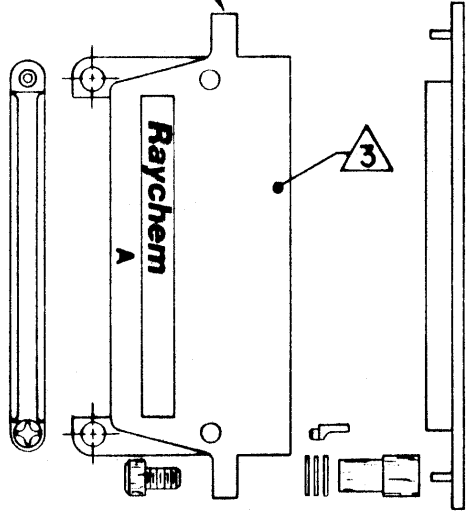
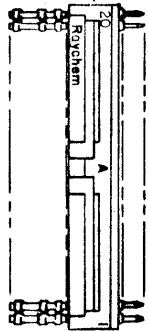
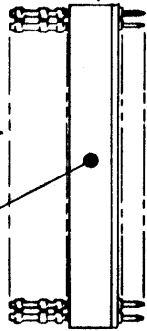
HOUSING ASSEMBLY

A WAFER (TOP)

B WAFER (BOTTOM)

TYPICAL WAFER INSERTION INTO HOUSING

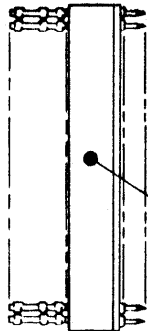
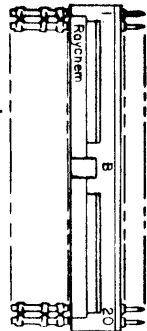
3



NOTES:

- THIS KIT CONSIST OF THE FOLLOWING ITEMS:
    - MTC100-JH2-R22 HOUSING
    - MTC100-JA2-PI4 A PIN WAFER
    - MTC100-JB2-PI4 B PIN WAFER
  - FOR DETAIL DATA, REFER TO THE APPLICABLE RAYCHEM SPECIFICATION CONTROL DRAWING.
- 3 PART NUMBER AND DATE CODE MARKED ON THIS SIDE

REVERSE SIDE OF WAFERS



3

SPECIFICATION CONTROL DRAWING © Raychem Corporation 1983

DRAWN	<i>Jamal</i>	2-23-83	<b>Raychem</b>	RAYCHEM CORPORATION 300 CONSTITUTION DRIVE MENLO PARK, CALIFORNIA 94025	
CHECKED				TITLE KIT, 2", RECEPTACLE, PIN WAFERS WITH PRE-ASSEMBLED SOLDER-SLEEVE <sup>®</sup> TERMINATOR, FOR 20-26 AWG ROUND WIRE, 125°C OPERATING TEMPERATURE, MTC100	
APPROVED	<i>Phair</i>	2-23-83	SIZE	CODE IDENT. NO.	DWG. NO.
APPROVED	<i>Shah</i>	2-21-83	<b>B</b>	<b>06090</b>	<b>MTC100-KT2-0079</b>
UNLESS OTHERWISE SPECIFIED DIMENSIONS ARE IN INCHES. METRIC DIMENSIONS ARE IN PARENTHESIS			WEIGHT	SHEET 1 OF 1	
DO NOT SCALE THIS DRAWING					

If this document is printed it becomes uncontrolled. Check with the web for latest revision.