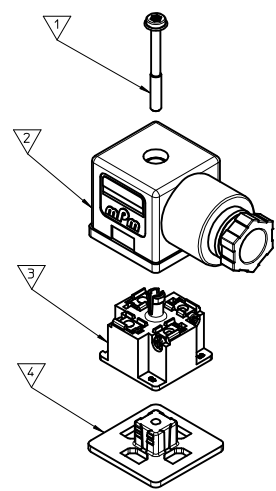


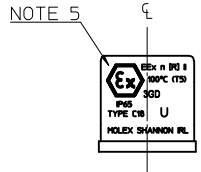
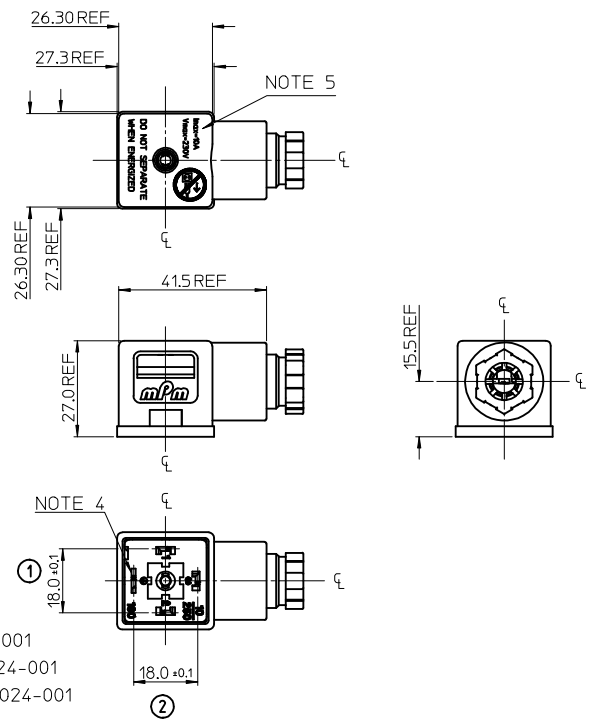
PART NO	MPM PART NO	DESCRIPTION
1210230717	C18309N23ATXE	ATEX CONNECTOR 3P PG9 H12 PROFILE SILICONE GASKET
1210230823	C18309N21ATXE	ATEX CONNECTOR 3P PG9 H12 INEGRATED NBR GASKET
1210240524	C18209N21ATXE	ATEX CONNECTOR 2P PG9 H12 INEGRATED SILICONE GASKET
1210240575	C18209N21ATXEX	ATEX CONNECTOR 2P PG9 H12 INEGRATED SILICONE GASKET SINGLE BAG
1210240634	C18211N21ATXE	ATEX CONNECTOR 2P PG11 H12 INEGRATED SILICONE GASKET
1210240682	C18211N21ATXEX	ATEX CONNECTOR 2P PG11 H12 INEGRATED SILICONE GASKET SINGLE BAG
1210240920	C18311N21ATXEX	ATEX CONNECTOR 3P PG11 H12 INEGRATED SILICONE GASKET SINGLE BAG

ITEM	DESCRIPTION
1	29mm M3 TORX SCREW
2	C18 COVER ASSEMBLY
3	C18 INSERT ASSEMBLY
4	GASKET



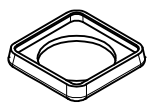
C18309N21ATXE*

SERIES _____
 C18= DIN VALVE FORM A
 POLES _____
 2= 2 POLE & 3= 3 POLE
 THREAD _____
 09 = PG9 AND 11 = PG11
 MATERIAL AND HOUSING COLOR _____
 N= PA6 BLACK NON V0
 GROUND POSITION _____
 2= H12
 SCREW AND GASKET _____
 1= TORX SCREW AND INTEGRATED GASKET
 3= TORX SCREW AND PROFILE GASKET
 ATEX PART NUMBER DESIGNATION _____
 NON STANDARD PACKAGING _____
 X= SINGLE BAG MOUNTED



- NOTES
1. PRODUCT SPEC: SEE PS-121021-001
 2. PACKAGING SPEC: SEE PK-121024-001
 3. ENGINEERING SPEC: SEE ES-121024-001
 4. GROUND POSITION SHOWN H12
 5. TAMPO PRINT MARKINGS
 6. NOTE: INSERT IS MADE FROM V0 MATERIAL

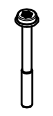
LAST INSPECTION NUMBER USED 2



PROFILE GASKET



INTEGRATED GASKET



29mm M3 TORX SCREW

MODIFIED PN EC NO: IFC2013-0241 DRW:DMAHER 2012/08/14 CHKD: APPR:EFOLAN 2012/08/20 DESCRIPTION	QUALITY SYMBOLS ▽=0 ▽=0	GENERAL TOLERANCES (UNLESS SPECIFIED) <table border="1"> <thead> <tr> <th></th> <th>mm</th> <th>INCH</th> </tr> </thead> <tbody> <tr> <td>4 PLACES</td> <td>±---</td> <td>±---</td> </tr> <tr> <td>3 PLACES</td> <td>±---</td> <td>±---</td> </tr> <tr> <td>2 PLACES</td> <td>±0.1</td> <td>±---</td> </tr> <tr> <td>1 PLACE</td> <td>±0.2</td> <td>±---</td> </tr> <tr> <td colspan="3">ANGULAR ±---°</td> </tr> </tbody> </table>		mm	INCH	4 PLACES	±---	±---	3 PLACES	±---	±---	2 PLACES	±0.1	±---	1 PLACE	±0.2	±---	ANGULAR ±---°			DIMENSION STYLE MM ONLY	SCALE 1:1	DESIGN UNITS METRIC	THIRD ANGLE PROJECTION
		mm	INCH																					
4 PLACES	±---	±---																						
3 PLACES	±---	±---																						
2 PLACES	±0.1	±---																						
1 PLACE	±0.2	±---																						
ANGULAR ±---°																								
DRAWN BY DMAHER_WEU 2011/04/21 CHECKED BY S MC GREEVY APPROVED BY EFOLAN 2011/12/12 MATERIAL NO. SEE TABLE	DATE 2011/04/21 DATE 2011/12/12 DOCUMENT NO. SD-121023-823	TITLE ATEX C18 SALES DRAWING	MOLEX MOLEX INCORPORATED	SHEET NO. 1 OF 1																				