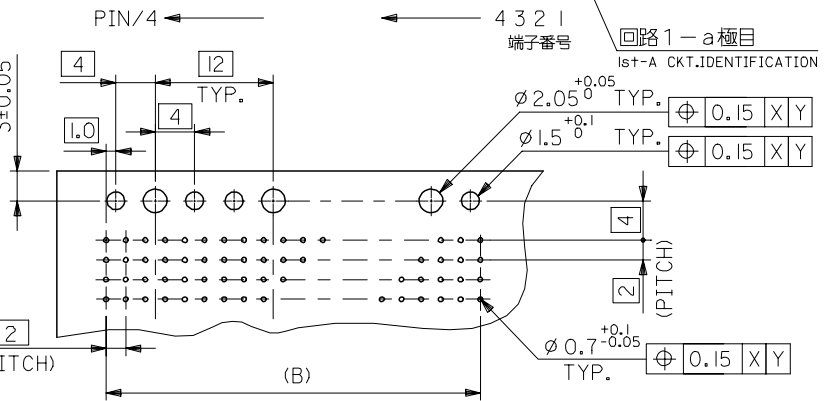
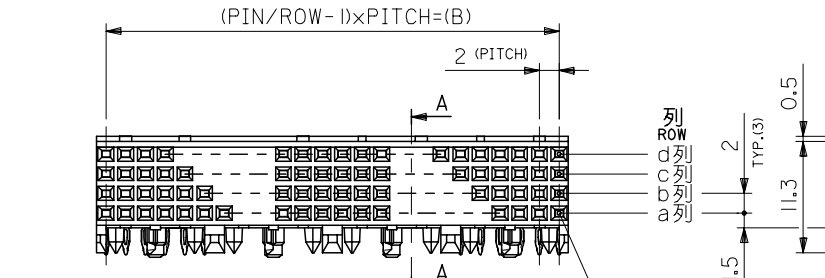
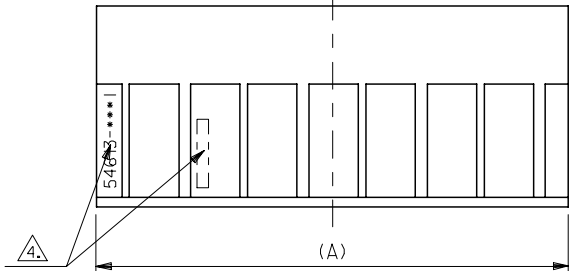
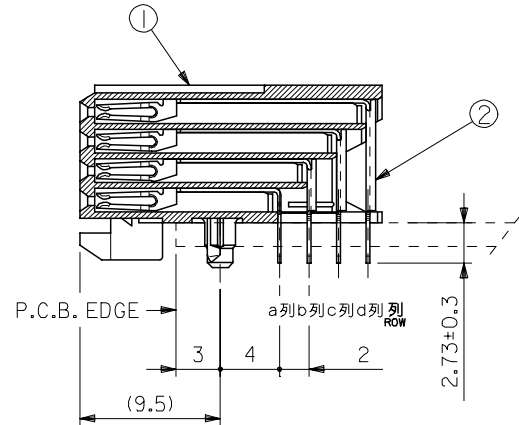


10 9 8 7 6 5 4 3 2 1

番号 No.	部品 PART NAME	材質 MATERIAL	仕上げ FINISH
①	リセプタクル ハウジング RECEPTACLE HOUSING	液晶ポリマー、ガラス充填、自然色(白)、UL94V-0 LIQUID CRYSTAL POLYMER, GLASS FILLED, NATURAL(WHITE)	—
②	リセプタクル ターミナル RECEPTACLE TERMINAL	リン青銅 PHOSPHOR BRONZE	△



基板穴推奨寸法 (部品実装)
RECOMMENDED P.C.B. LAYOUT (COMPONENT SIDE)



A-A
(NON-SCALE)

- 注記
NOTE :
- △ ターミナル めっき仕様
TERMINAL PLATING
金めっき: 0.76µm MIN. (接点部)
GOLD: 0.76µm MIN. (CONTACT AREA)
半田めっき: 1.0µm MIN. (半田付け部)
TIN-LEAD: 1.0µm MIN. (SOLDER AREA)
ニッケルメッキ: 2.0µm MIN. (下地めっき)
NICKEL: 1.0µm MIN. (UNDER PLATING)
 - 2. 推奨基板厚: t=1.6, 2.4mm
RECOMMENDED P.C.B. THICKNESS: t=1.6, 2.4mm
 - 3. 適合プラグ: 53901-***5,55222-***5,55089-***5
APPLICABLE PLUG: 53901-***5,55222-***5,55089-***5
 - △ 製品番号及びロットナンバー
MATERIAL NO. & LOT NO.

94	95.98	54613-1921	192
58	59.98	54613-1201	120
46	47.98	54613-0961	96
22	23.98	54613-0481	48
B	A	MATERIAL NO.	PIN

REVISED EC NO: S5120000750175 DRWN: F YANG05 2007/04/10 CHKD: HWANG 2008/06/25 APPR: INCHEH 2007/04/18	QUALITY SYMBOLS ▽=0 △=0	GENERAL TOLERANCES (UNLESS SPECIFIED)		DIMENSION STYLE MM ONLY		SCALE 2:1	DESIGN UNITS METRIC	THIRD ANGLE PROJECTION	
		mm		INCH		DRAWN BY DATE S. SHOSHIKAWA 1999/08/23		TITLE MFB B/B(FB+)REC ASSY 4ROWS PRESS-FIT	
		4 PLACES ± ---		± ---		CHECKED BY DATE A. NODA 1999/08/23		MOLEX MOLEX INCORPORATED	
		3 PLACES ± ---		± ---		APPROVED BY DATE H. IKESUGI 1999/08/23		DOCUMENT NO. SD-54613-001	
2 PLACES ± 0.25		± ---		MATERIAL NO.		SHEET NO. 1 OF 1			
1 PLACE ± 0.25		± ---		DRAFT WHERE APPLICABLE MUST REMAIN WITHIN DIMENSIONS		SIZE A3		THIS DRAWING CONTAINS INFORMATION THAT IS PROPRIETARY TO MOLEX INCORPORATED AND SHOULD NOT BE USED WITHOUT WRITTEN PERMISSION	

9 8 7 6 5 4 3 2 1