

4

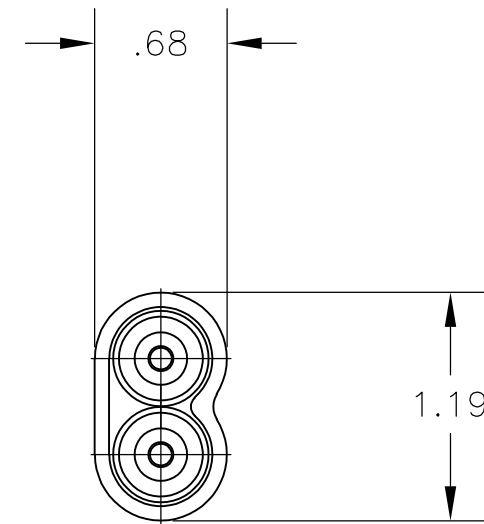
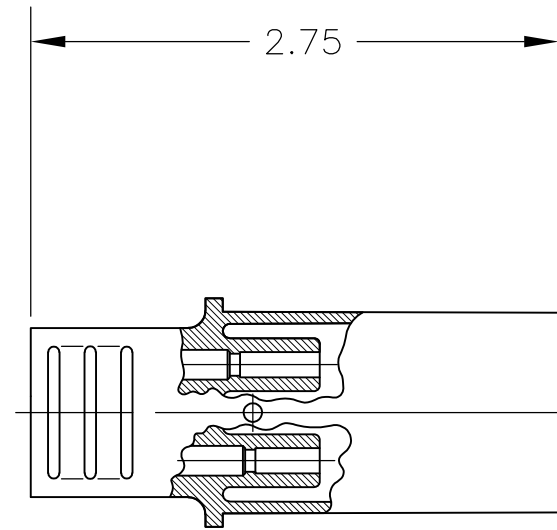
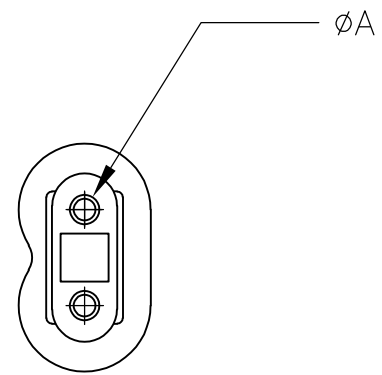
3


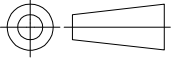
2

1

THIS DRAWING IS UNPUBLISHED. RELEASED FOR PUBLICATION - , - .
 © COPYRIGHT - By - ALL RIGHTS RESERVED.

LOC		DIST		REVISIONS			
P	LTR	DESCRIPTION		DATE	DWN	APVD	
	C1	REVISED PER ECO-11-005030		11MAR11	RK	HMR	



THIS DRAWING IS A CONTROLLED DOCUMENT.		DWN P. YEAGER	13SEP2007	 TE Connectivity	
DIMENSIONS: INCHES		CHK D. EABY	14SEP07		
		TOLERANCES UNLESS OTHERWISE SPECIFIED:		NAME	
		0 PLC ± - 1 PLC ± - 2 PLC ± .03 3 PLC ± .015 4 PLC ± - ANGLES ± -		SOCKET HOUSING, 2 CAVITY TYPE III, LGH	
MATERIAL VALOX 26682-1		FINISH BLACK		RESTRICTED TO	
		WEIGHT -		SIZE A3	CAGE CODE 00779
		CUSTOMER DRAWING		DRAWING NO C-862383	SCALE 2:1
				SHEET 1 OF 1	REV C1