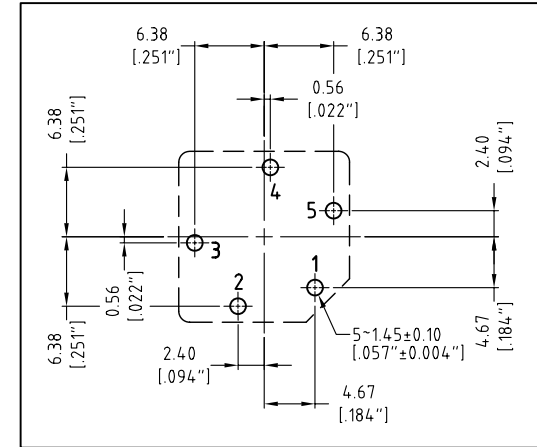
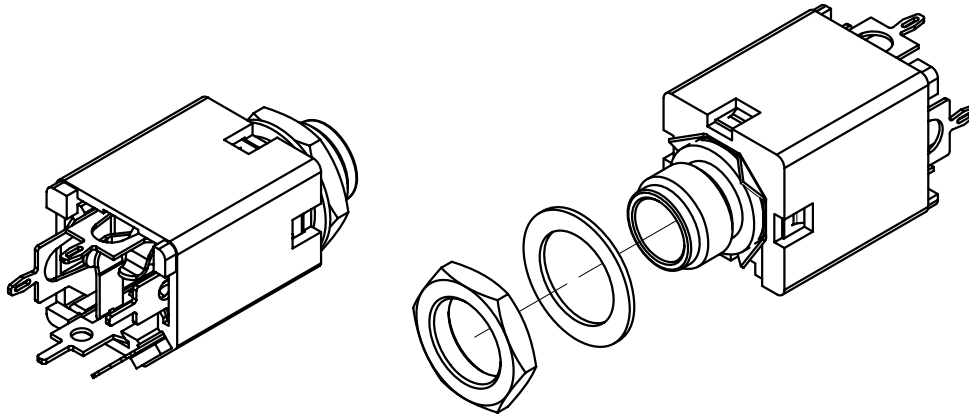


PANEL CUTOUT



PCB LAYOUT
(CONNECTOR SIDE)

PART No.	ACJM-MV-2	ACJM-MV-2S	ACJS-MV-3	ACJS-MV-3S	ACJS-MV-5
SCHEMATIC					

2	CHANGE DWG TO 55010228-000-5 AND ADD SHEETS 4 & 5 FOR P/Nos: ACJM-MV-2S, ACJS-MV-3S & ACJS-MV-5	L.V	08-04-05	8362
1	CHANGE STAR WASHER TO 4 POINT GROUNDING CONTACT ADD PAGE 3 FOR STEREO (ACJS-MV) ASSY DRAWING	L.V	24-02-04	8267
0	FIRST ISSUE	L.V	07-04-03	----
REV.	CHANGE DETAILS	BY	DATE	CHG/No

UNLESS OTHERWISE SPECIFIED TOLERANCE TO BE		THIS DOCUMENT IS THE PROPERTY OF AMPHENOL AUSTRALIA PTY. LTD. NO PART THEREOF MAY BE REPRODUCED AND USED WITHOUT THE PRIOR WRITTEN CONSENT OF THE OWNER			
LINEAR	ANGULAR	CAD FILE: 55010228000152	DRN: L.V	DATE: 07-04-03	TITLE:
X ± 0.5	X° ± 1°	MATL: REFER TO COMPONENTS	CKD: M.N.H	DATE: 11-10-05	ACJS/M-MV-xx
X.X ± 0.1	X°X' ± 30'	DO NOT SCALE	FINISH: REFER TO COMPONENTS	DATE: 11-10-05	1/4" PHONE JACK
X.XX ± 0.05	X°X'X" ± 15"	THIRD ANGLE PROJECTION		APP'D: P.M	CUSTOMER DWG
DIMENSIONS IN MILLIMETRES		SCALE: 2:1 UOS	PART No: SEE SCHEMATIC	SIZE: A3	55010228-000-5

Amphenol
Amphenol Australia Pty.Ltd, 2 Fireways Blvd, Keysborough, Vic3173
DRAWING NO. SHEET
1 OF 5