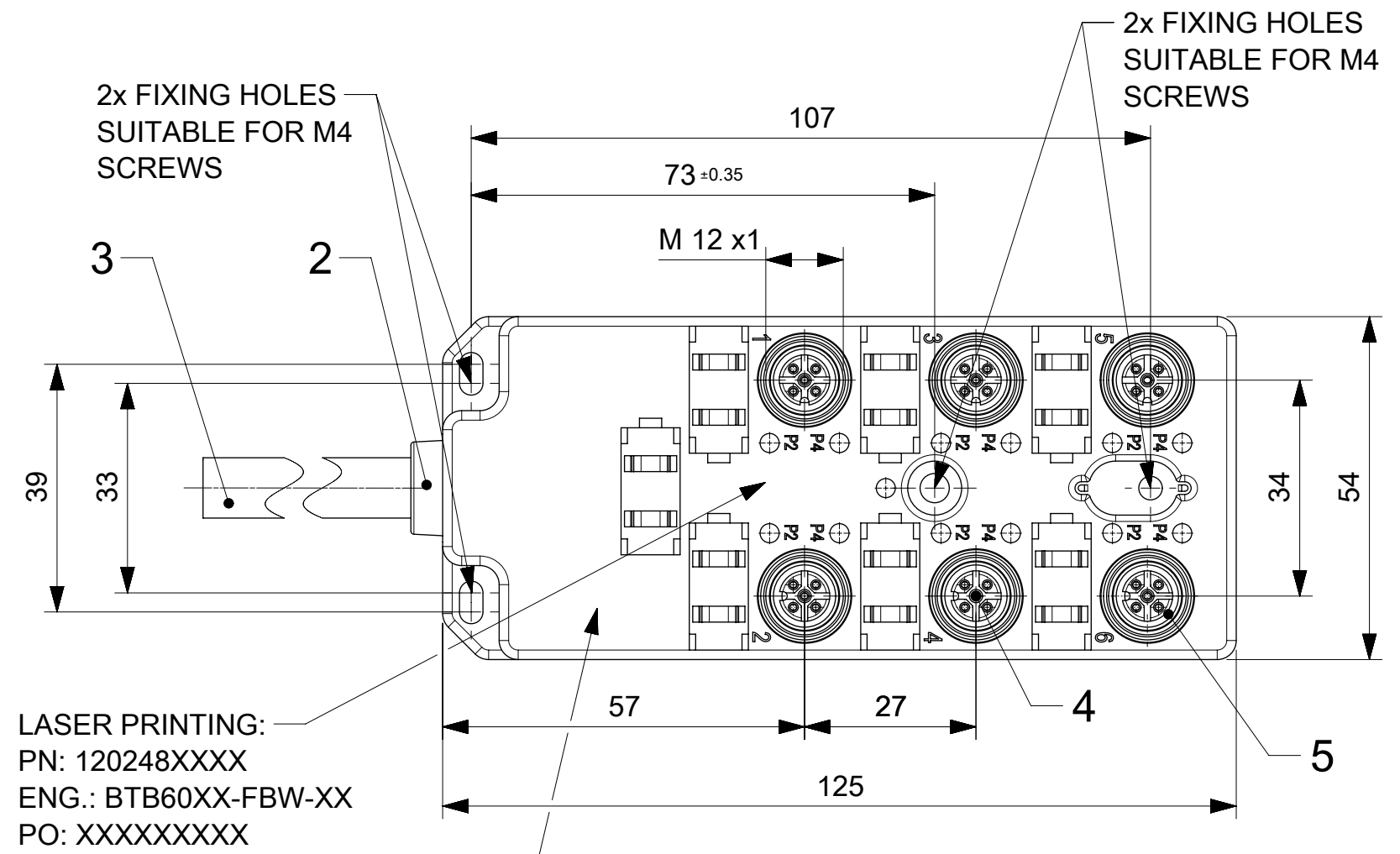


TABLE 1 DUAL WIRED

MOLEX P/N	ENG. NO.	CABLE LENGTH (mm) + TOLERANCE	LED
1202480037	BTB6050-FBW-05	5000 +165	NO
1202480038	BTB6050-FBW-10	10000 +317	NO
1202480039	BTB6050-FBW-15	15000 +610	NO
1202480040	BTB605P-FBW-05	5000 +165	YES
1202480041	BTB605P-FBW-10	10000 +317	YES
1202480042	BTB605P-FBW-15	15000 +610	YES
1202480043	BTB605N-FBW-05	5000 +165	YES
1202480044	BTB605N-FBW-10	10000 +317	YES
1202480045	BTB605N-FBW-15	15000 +610	YES

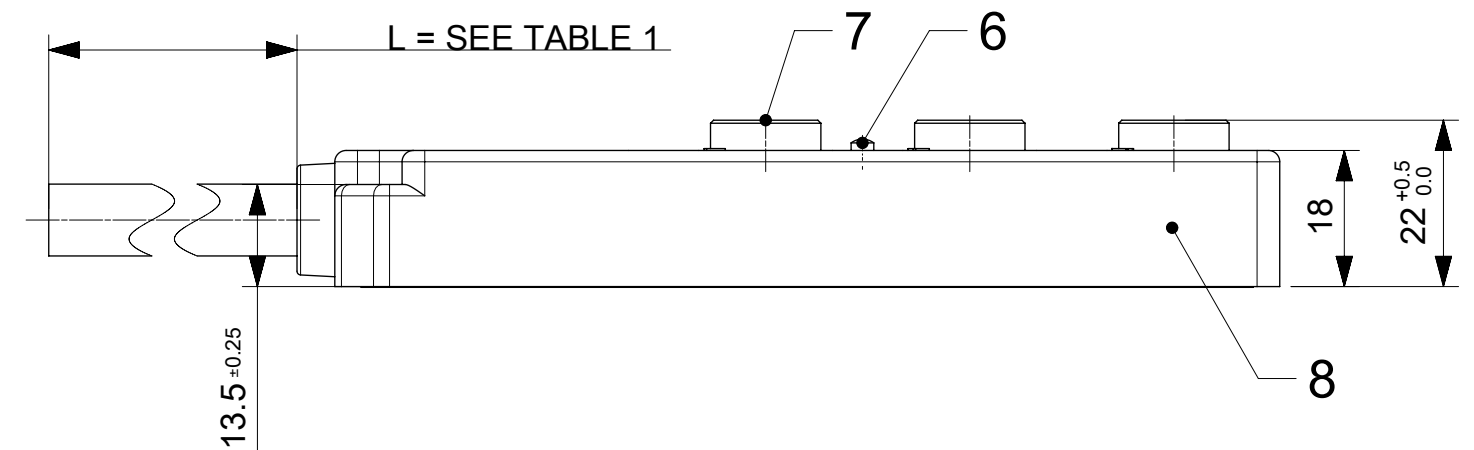


LASER PRINTING:
 PN: 120248XXXX
 ENG.: BTB60XX-FBW-XX
 PO: XXXXXXXXXX

LASER PRINTING:
 BRAD LOGO

TABLE 2 BILL OF MATERIAL

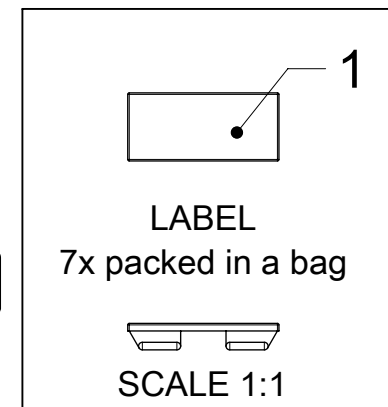
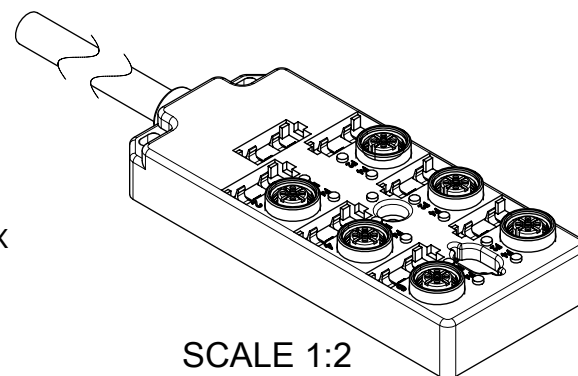
ITEM	DESCRIPTION	MATERIAL	FINISH
1	LABEL	ABS	WHITE
2	CABLE PLATE	PBT	BLACK
3	CABLE	TPU BASED	BLACK
4	CONTACT	BRONZE	GOLD OVER NICKEL
5	O-RING	FPM	RED
6	LED DUAL WIRED	NO LED = PA	BLACK
		WITH LED = PA	TRANSPARENT
7	SHELL	BRASS	NICKEL PLATED
8	HOUSING	PBT	BLACK



GENERAL CHARACTERISTICS:

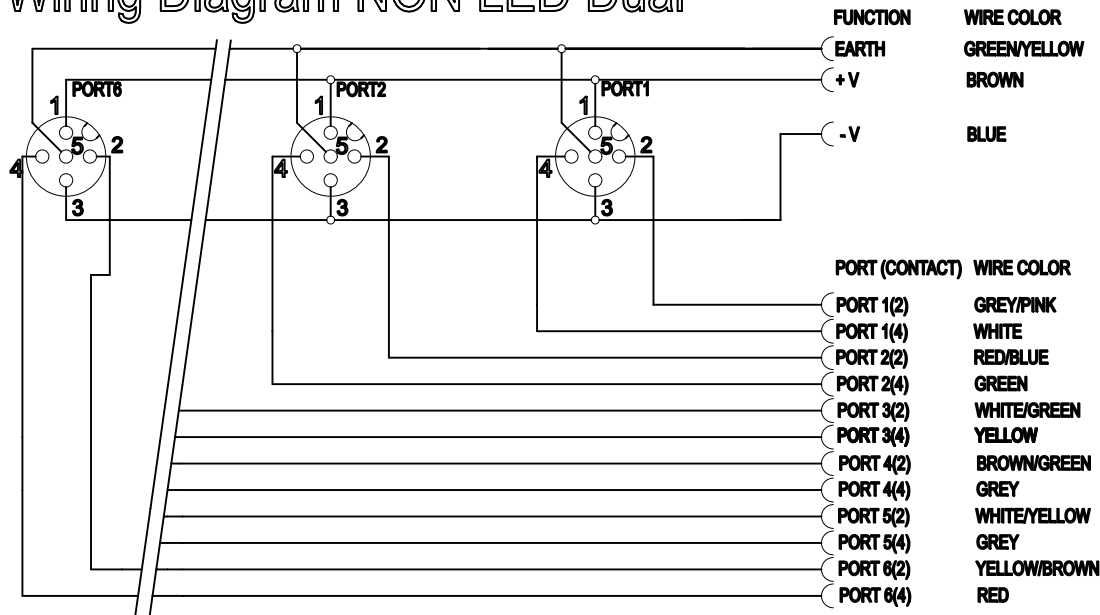
ELECTRICAL AND MECHANICAL DATA ACC. TO IEC 61076-2-101

NOMINAL VOLTAGE: 10-30 V DC
 AMPERE RATING: 4 A PER PORT / 12 A MAX
 AMPERE RATING WITH UL REGISTRATION: 3 A PER PORT / 9 A MAX
 IP DEGREE OF PROTECTION: IP 67
 TEMPERATURE RANGE: -25°C to + 85°C

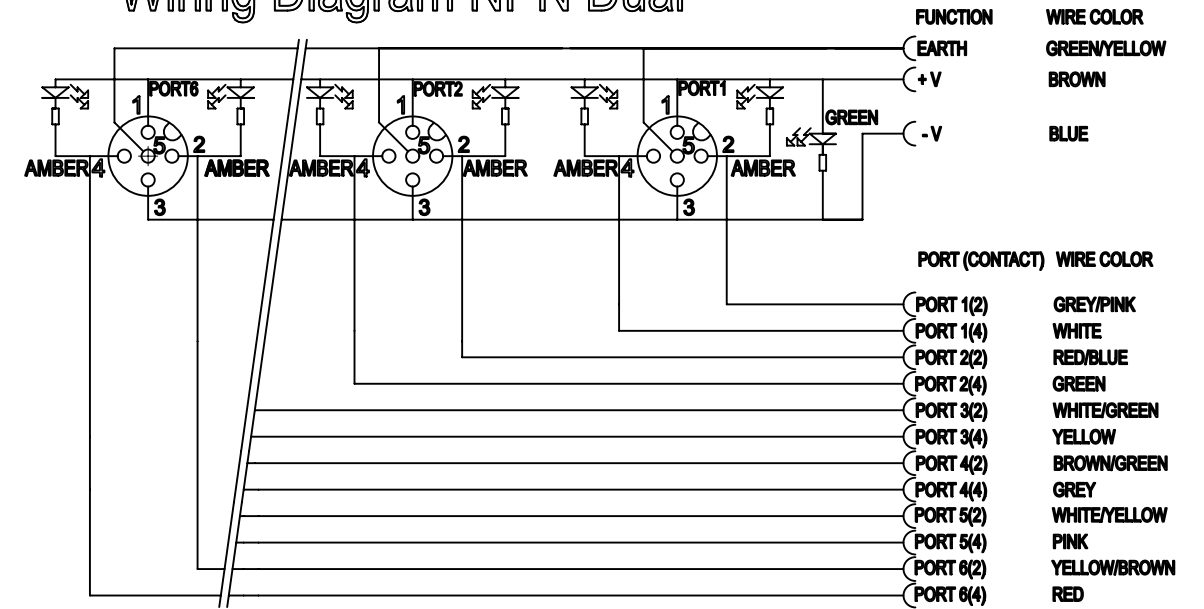


FUNCTIONAL SYMBOLS	THIS DRAWING CONTAINS INFORMATION THAT IS PROPRIETARY TO MOLEX ELECTRONIC TECHNOLOGIES, LLC AND SHOULD NOT BE USED WITHOUT WRITTEN PERMISSION		CURRENT REV DESC: ADDED TOLERANCE	
	△/A = 0	mm	SCALE	1:1
DIVISIONAL SYMBOLS	GENERAL TOLERANCES (UNLESS SPECIFIED)		EC NO: 679945	
	△/E = 0	ANGULAR TOL ± °	DRWN: MDHARMANTI	2021/09/28
DIVISIONAL SYMBOLS	4 PLACES ±	3 PLACES ±	APPR: RSILLER	2021/10/04
	2 PLACES ±	1 PLACE ±	INITIAL REVISION:	
	0 PLACES ± 0.25	DRAFT WHERE APPLICABLE MUST REMAIN WITHIN DIMENSIONS	DRWN: AAHLERS	2015/04/07
		THIRD ANGLE PROJECTION	APPR: RSILLER	2017/01/13
DOCUMENT STATUS		P1	RELEASE DATE	2021/10/04 05:48:02
DOCUMENT NUMBER		1202480037		DOC TYPE
MATERIAL NUMBER		SEE TABLE 1		DOC PART
DRAWING		A3-SIZE		REVISION
SERIES		120248		PSD 000 B1
CUSTOMER		GENERAL MARKET		SHEET NUMBER
				1 OF 2

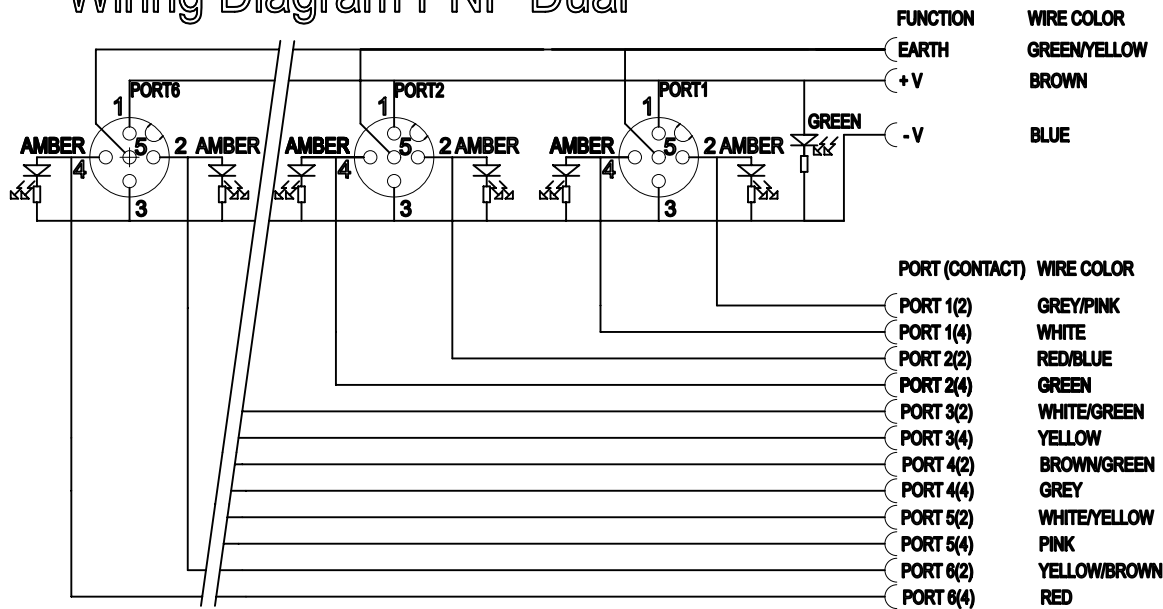
Wiring Diagram NON LED Dual



Wiring Diagram NPN Dual



Wiring Diagram PNP Dual



FUNCTIONAL SYMBOLS	THIS DRAWING CONTAINS INFORMATION THAT IS PROPRIETARY TO MOLEX ELECTRONIC TECHNOLOGIES, LLC AND SHOULD NOT BE USED WITHOUT WRITTEN PERMISSION		CURRENT REV DESC: ADDED TOLERANCE								
	$\nabla_A = 0$ $\nabla_F = 0$ $\nabla_P = 0$	DIMENSION UNITS: mm SCALE: 1:1 GENERAL TOLERANCES (UNLESS SPECIFIED) ANGULAR TOL ± ° 4 PLACES ± 3 PLACES ± 2 PLACES ± 1 PLACE ± 0 PLACES ± 0.25					EC NO: 679945 DRWN: MDHARMANTI 2021/09/28 CHK'D: RSILLER 2021/10/04 APPR: RSILLER 2021/10/04 INITIAL REVISION: DRWN: AAHLERS 2015/04/07 APPR: RSILLER 2017/01/13	MPIS M12 PNP NPN NOS 5P 6PT AC FE STR XM STA DUAL PRODUCT CUSTOMER DRAWING			
DIVISIONAL SYMBOLS	DRAFT WHERE APPLICABLE MUST REMAIN WITHIN DIMENSIONS		THIRD ANGLE PROJECTION	DRAWING	SERIES	MATERIAL NUMBER	CUSTOMER	DOCUMENT NUMBER	DOC TYPE	DOC PART	REVISION
				A3-SIZE	120248	SEE TABLE 1	GENERAL MARKET	1202480037	PSD	000	B1
											SHEET NUMBER: 2 OF 2