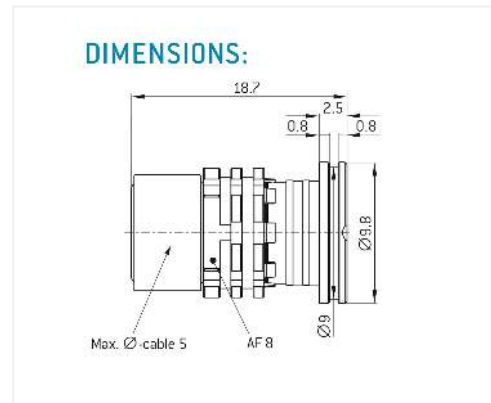
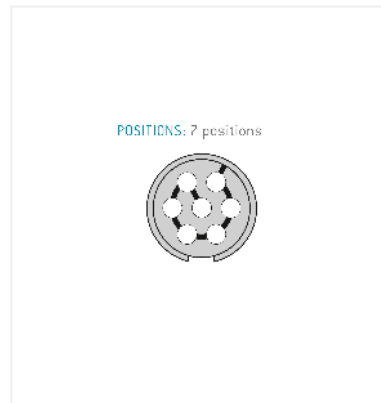
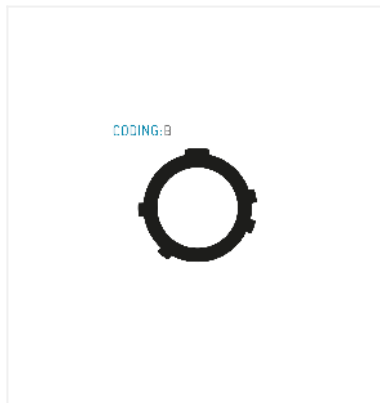


## General information

Part number	K1CWBM-P07WBC0-0000
Termination	solder
Size	00
Locking principle	break
Coding	b key_amc
Cable Diameter	cable_amchd_C
Cable outlet	overmolding



## Contact insert description

Number of contacts	7
Contact type	sockets
Contact diameter	03mm
Insulator material	peek
Wire cross section	28_awg
Termination	solder

reverse\_gender\_on\_request

## Technical information

Nominal current single contact	01_a	iec_60512_5_2
Nominal current insert	0,65 A	vde_0298_4
Test voltage	075_kv_dc	eia_364_20f

safety\_text

## Mechanical and environmental data

Degree of protection*	ipsk8_ip6k9k
Operating temperature	51_125_c
Mating cycles	5000

mated

## Material and surface treatments

Housing	ruthenium
Contact	cu_alloy_gold

safety\_text\_2  
ul\_text  
illustrative\_text