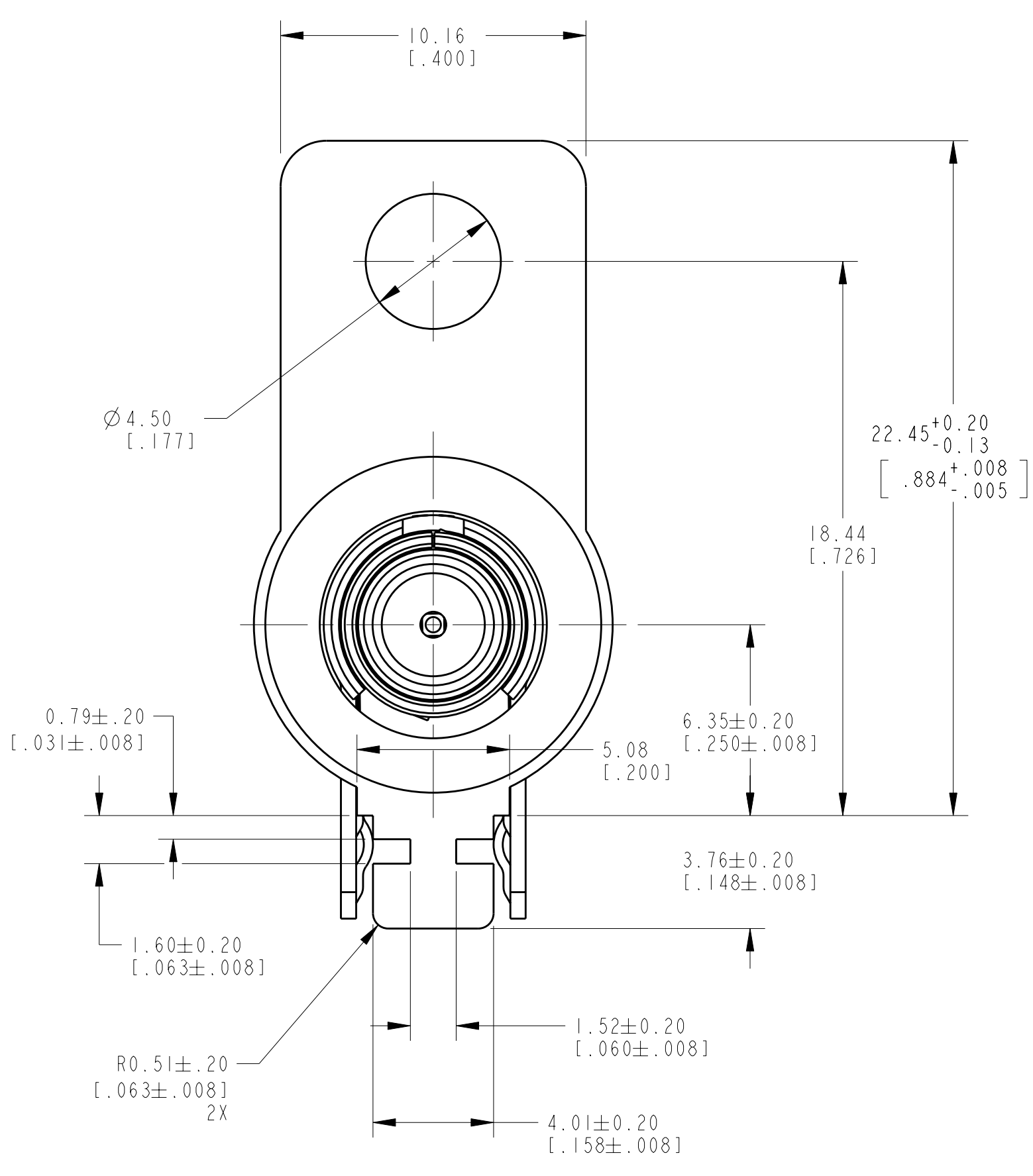
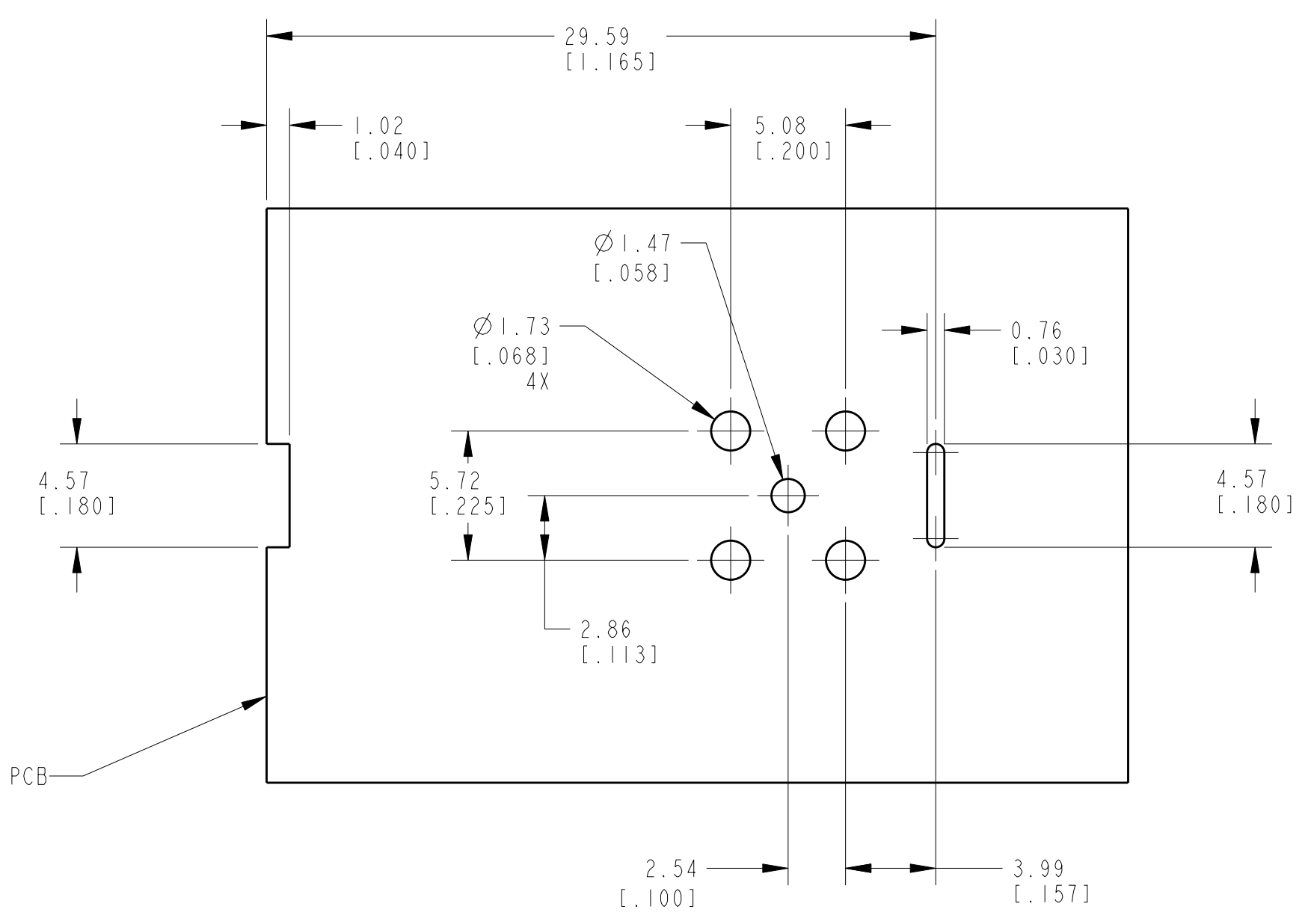
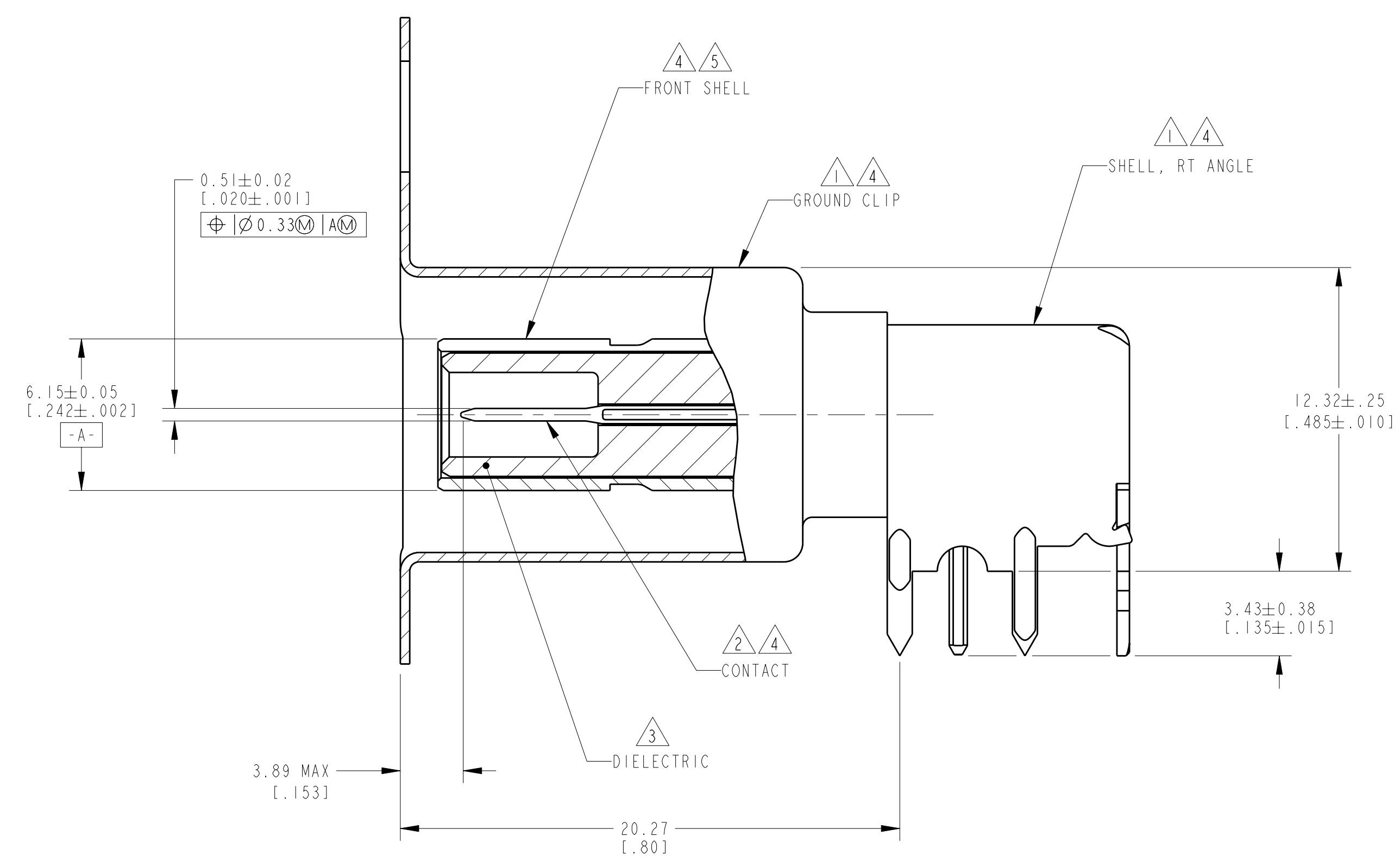


| LOC | DIST | REV | DATE      | BY  | APPD |
|-----|------|-----|-----------|-----|------|
| GE  | 00   | J1  | 13MAR2012 | DLD | LLV  |

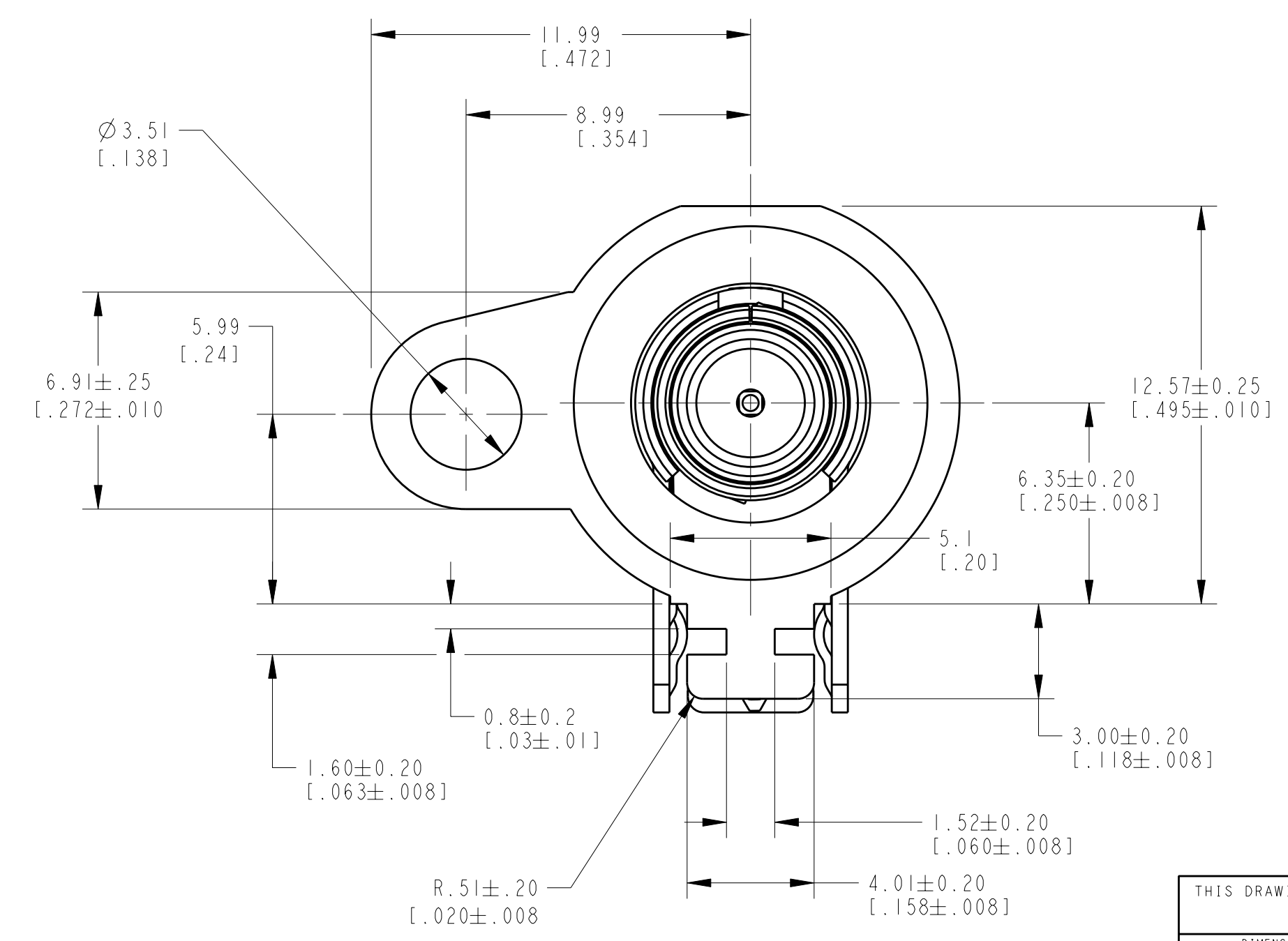
- 1 MATERIAL: BRASS PER ASTM-B-36
- 2 MATERIAL: BRASS PER ASTM-B-16
- 3 MATERIAL: TPX
- 4 FINISH: TIN PER ASTM-B-545
- 5 MATERIAL: BRASS PER ASTM-B-453
- 6 COMPANY LOGO



CONFIGURATION X



RECOMMENDED PCB LAYOUT FOR 1326508-1, -2 & -6  
 PCB LAYOUT TOLERANCES:  
 LOCATION = ±0.20 [0.008]  
 FEATURE SIZES = ±0.10 [0.004]  
 SCALE 4:1



CONFIGURATION Y

|               |             |
|---------------|-------------|
| W, SH3        | 1326508-6   |
| Z, SH2        | 1326508-3   |
| Y             | 1326508-2   |
| X             | 1326508-1   |
| CONFIGURATION | PART NUMBER |

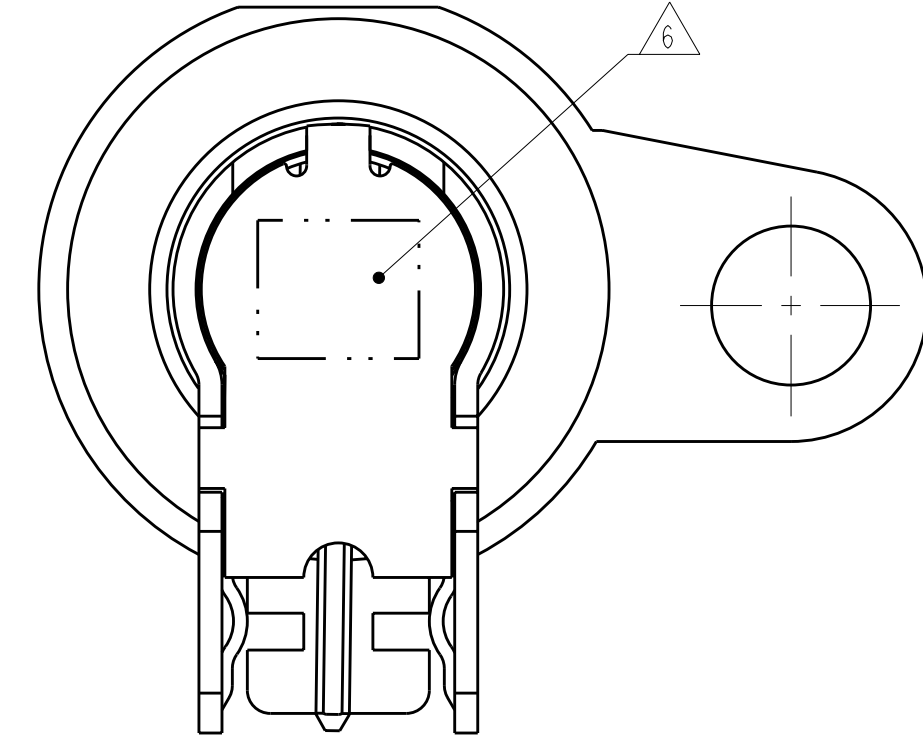
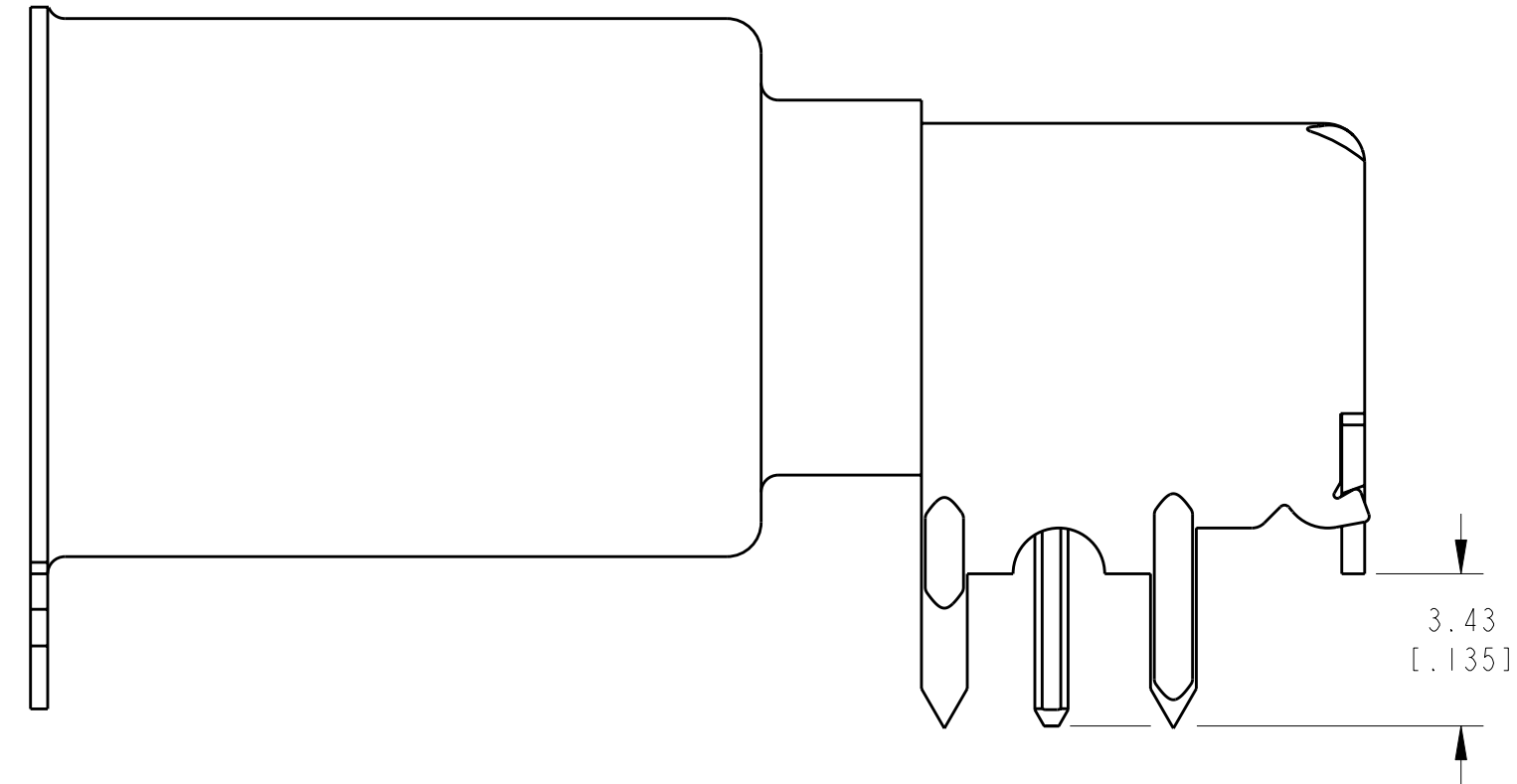
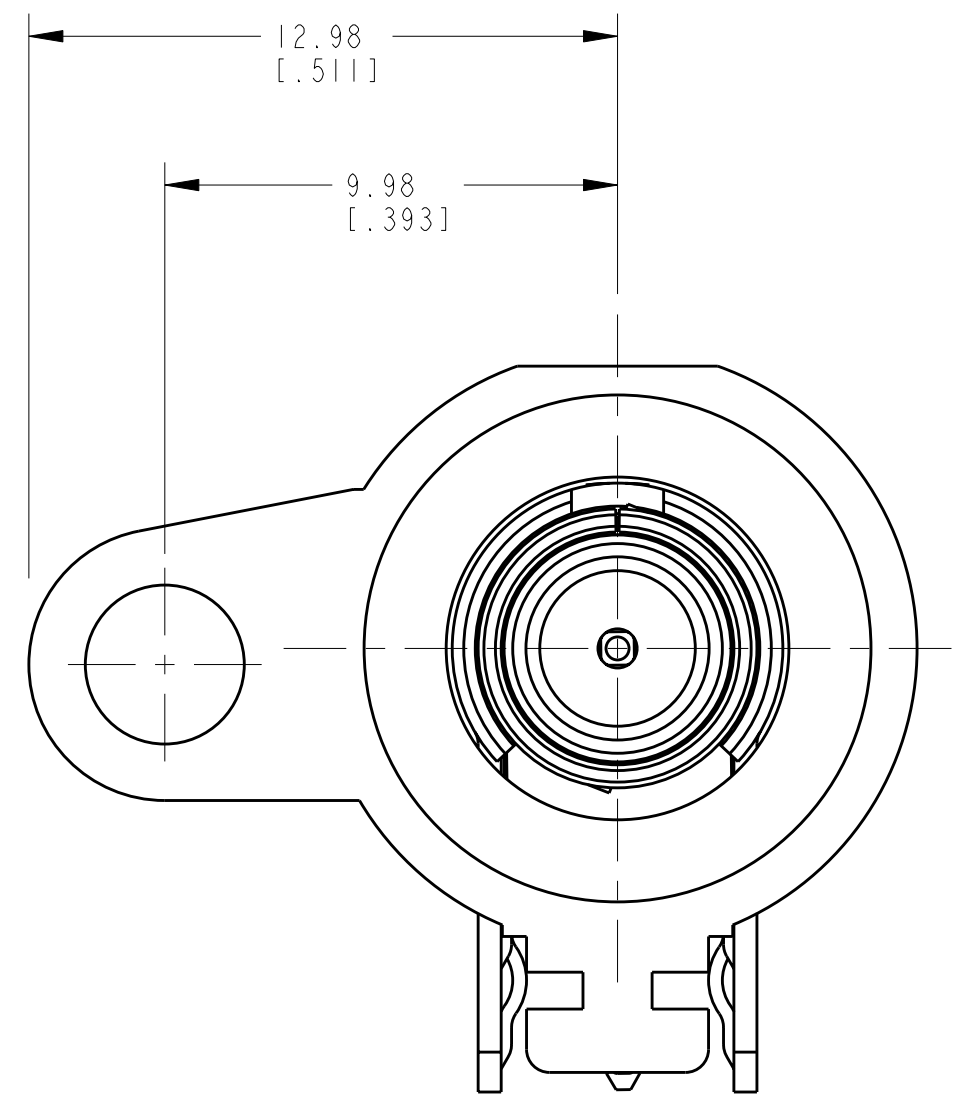
| DIMENSIONS: |  | TOLERANCES UNLESS OTHERWISE SPECIFIED: |   | PRODUCT SPEC |   | APPLICATION SPEC |  | CUSTOMER DRAWING |     |
|-------------|--|--|---|--------------|---|------------------|--|------------------|-----|
| mm [INCHES] |  | 9 PLC                                  | ± | 9 PLC        | ± | 114-13002        |  | SCALE            | 4:1 |
|             |  | 3 PLC                                  | ± | 3 PLC        | ± |                  |  | SHEET            | 1   |
|             |  | 5 PLC                                  | ± | 5 PLC        | ± |                  |  | OF               | 3   |
|             |  | 4 PLC                                  | ± | 4 PLC        | ± |                  |  | REV              | J1  |
|             |  | ANGLES                                 | ± | ANGLES       | ± |                  |  |                  |     |



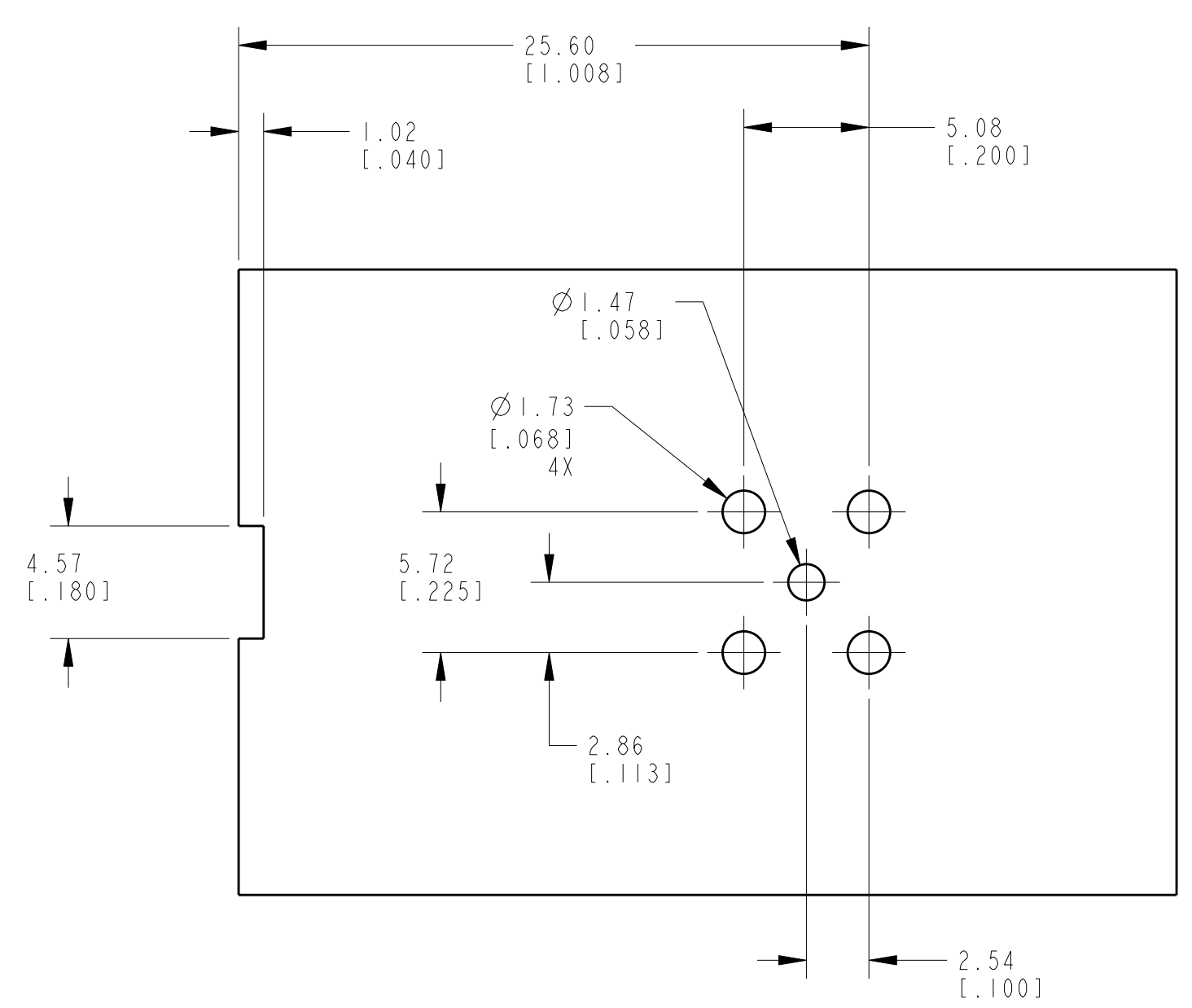
TE Connectivity  
 PCB JACK, SNAP-LOCK

SIZE CAGE CODE DRAWING NO RESTRICTED TO  
 A1 00779 C=1326508

| LOC | DIST | REVISIONS   |      |    |      |
|-----|------|-------------|------|----|------|
|     |      | REV         | DATE | BY | APPD |
| GE  | 00   | -           | -    | -  | -    |
|     |      | SEE SHEET 1 |      |    |      |
|     |      |             |      |    |      |
|     |      |             |      |    |      |



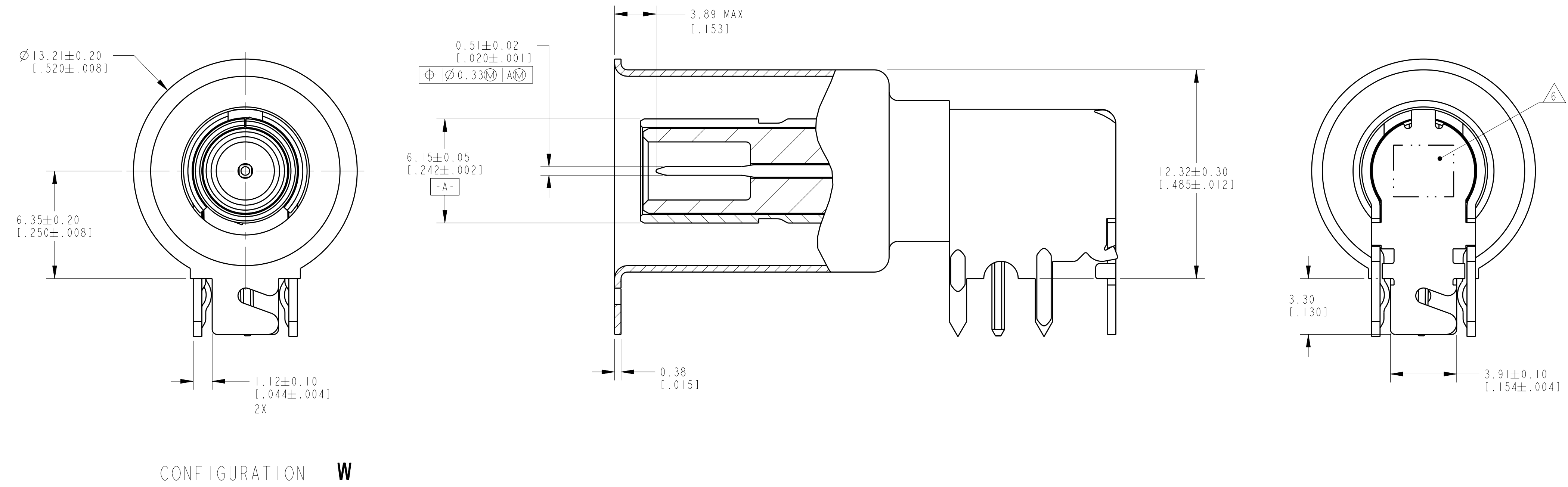
CONFIGURATION Z



RECOMMENDED PCB LAYOUT  
 FOR 1326508-3 ONLY  
 PCB LAYOUT TOLERANCES:  
 LOCATION = ±0.20 [0.008]  
 FEATURE SIZES = ±0.10 [0.004]  
 SCALE 4:1

|   |   |   |                               |
|---|---|---|-------------------------------|
| THIS DRAWING IS A CONTROLLED DOCUMENT.  |   | DWN: A. HOLT 13NOV2002                                | TE Connectivity               |
| DIMENSIONS: mm [INCHES]   |   | CHK: K. COBLE 13NOV2002                               |                               |
| TOLERANCES UNLESS OTHERWISE SPECIFIED:  |   | APVD: K. COBLE 13NOV2002                              | NAME: PCB JACK, SNAP-LOCK     |
| 9 PLC ±<br>1 PLC ±<br>2 PLC ±0.13 [0.005]<br>3 PLC ±<br>4 PLC ±<br>ANGLES ±<br>FINISH ± | PRODUCT SPEC<br>APPLICATION SPEC<br>114-13002 | SIZE: A1<br>CAGE CODE: 00779<br>DRAWING NO: C=1326508 | RESTRICTED TO                 |
| MATERIAL: SEE NOTES   | FINISH: SEE NOTES                             | WEIGHT: -   | SCALE: 4:1 SHEET 2 OF 3 REV J |
| CUSTOMER DRAWING  |   |   |                               |

| LOC         | DIST | REV | DATE | BY  | CHKD | APVD |
|-------------|------|-----|------|-----|------|------|
| GE          | 00   |     |      |     |      |      |
| DESCRIPTION |      |     | DATE | DWN | APVD |      |
| SEE SHEET 1 |      |     | -    | -   | -    |      |



CONFIGURATION W

|  |               |                  |           |                             |
|--|---------------|------------------|-----------|-----------------------------|
| THIS DRAWING IS A CONTROLLED DOCUMENT. |               | DWN<br>A. HOLT   | 13NOV2002 | TE Connectivity             |
| DIMENSIONS:<br>mm [INCHES]             |               | CHK<br>K. COBLE  | 13NOV2002 |                             |
| TOLERANCES UNLESS OTHERWISE SPECIFIED: |               | APVD<br>K. COBLE | 13NOV2002 | NAME<br>PCB JACK, SNAP-LOCK |
| 0 PLC                                  | ±             | PRODUCT SPEC     |           |                             |
| 1 PLC                                  | ±             | APPLICATION SPEC |           |                             |
| 2 PLC                                  | ±0.13 [0.005] | SIZE             | A1        | CAGE CODE                   |
| 3 PLC                                  | ±             | DRAWING NO       | 00779     | DRAWING NO                  |
| 4 PLC                                  | ±             | RESTRICTED TO    |           |                             |
| ANGLES                                 | ±             | WEIGHT           |           |                             |
| FINISH                                 | ±             | CUSTOMER DRAWING |           |                             |
| SEE NOTES                              | SEE NOTES     | SCALE            | 6:1       | SHEET 3 OF 3                |