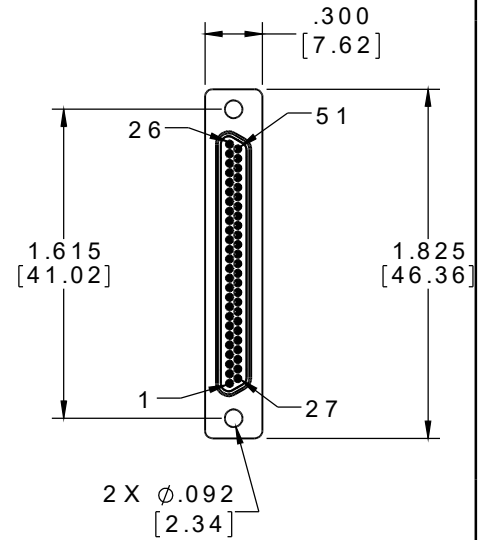
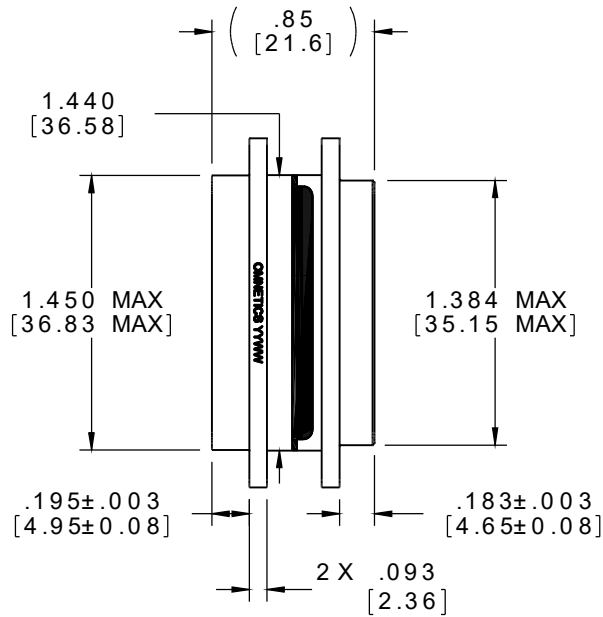
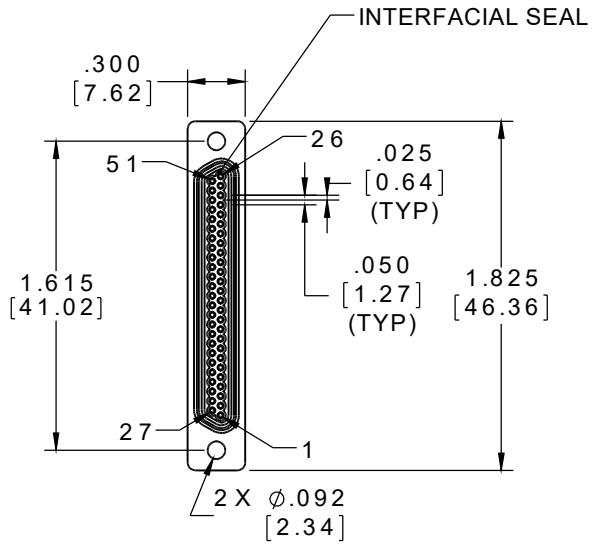


PART NO.	A97011-512	REV	ECO	DATE	APP
		A	100186	01-15-14	TLM



**MATERIALS**

**HOUSING:**

ALUMINUM 6061-T6, NICKEL PLATE  
PER SAE-AMS-2404

**INSULATOR:**

LIQUID CRYSTAL POLYMER (LCP)  
PER ASTM D5138

**MALE CONTACT:**

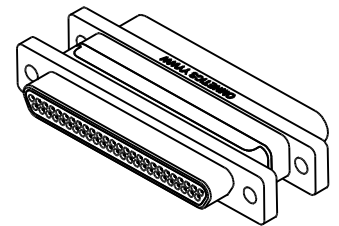
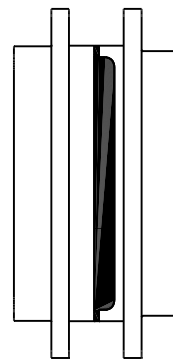
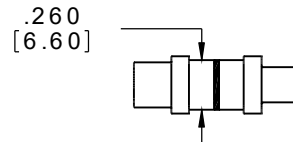
BERYLLIUM COPPER PER ASTM  
B194, C17200, GOLD PLATED PER  
ASTM B488, (HARD GOLD) TYPE II  
CODE C, CLASS 1.27

**FEMALE CONTACT/SOLDERCUP:**

COPPER ALLOY PER MIL-DTL-  
83513, GOLD PLATED PER ASTM  
B488, (HARD GOLD) TYPE II CODE  
C CLASS 1.27

**INTERFACIAL SEAL:**

SILICONE RUBBER PER A-A-59588



ACTUAL SIZE

MMDZ QJWJW	THIRD ANGLE
	-TOLERANCES-
	UNLESS OTHERWISE NOTED
	DIMENSIONS IN INCHES
	2 PL DEC ± .01 3 PL DEC ± .005 4 PL DEC ± .0005 ANGLES ± 1°

THIS DRAWING CONTAINS CONFIDENTIAL AND PROPRIETARY INFORMATION WHICH IS THE PROPERTY OF OMNETICS CONNECTOR CORP. THIS DOCUMENT MAY NOT, IN WHOLE OR IN PART, BE DUPLICATED, OR DISCLOSED FOR ANY PURPOSE, WITHOUT WRITTEN PERMISSION FROM OMNETICS CONNECTOR CORP.	
DFTM. MJM	DATE 08-23-13
CHK'D.	DATE
APP'D.	DATE
TITLE: (51) POSITION MICRO-D CONNECTOR SAVER	

**OMNETICS**  
CONNECTOR CORPORATION  
7260 COMMERCE CIRCLE EAST  
MINNEAPOLIS, MN 55432  
WWW.OMNETICS.COM

CAGE CODE 61873	
DWG NO. A97011-512	
SHEET 1 OF 1	REV A
SCALE: 1:1	