

NOTES

- 1. 端子テール部及びネイルの平坦度:0.1 MAX
TAIL AND NAIL COPLANARITY TO BE 0.1 MAX
- △2 極数/2 = 偶数に適用
APPLY FOR CIRCUIT SIZE / 2 =EVEN
- △3 関連製品、書類はSHEET 5を参照のこと
REFER TO SHEET 5 ABOUT RELATED PRODUCTS OR DOCUMENTS.
- △4 オーダー番号(製品番号) : SHEET 6の製品一覧を参照ください
ORDER No (MATERIAL No) : REFER TO SHEET 6 FOR PRODUCT LIST

213225 ****

シリーズ番号 ↑ 極数 ↑ 色
SERIES NO CIRCUIT SIZE COLOR
金めつき厚
GOLD PLATING THICKNESS

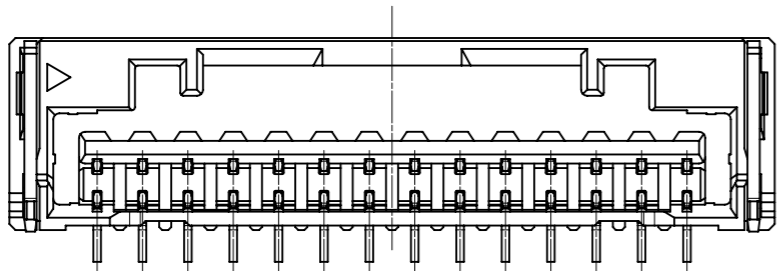
| CIRCUIT | No. | GOLD THK [micro-meters] | No. | COLOR |
|---------|-----|-------------------------|-----|---------------|
| 02 ~ 15 | 1 | 0.1 | 0 | ナチュラル NATURAL |
| | 3 | 0.38 | 1 | 黒 BLACK |
| | 7 | 0.76 | | |

| | | | | | |
|------|---------|------|------|---------|--------------|
| 25 | ±0.25 | 21 | 26.8 | ±0.25 | 15 |
| 23.5 | | 19.5 | 25.3 | | 14 |
| 22 | | 18 | 23.8 | | 13 |
| 20.5 | | 16.5 | 22.3 | | 12 |
| 19 | | 15 | 20.8 | | 11 |
| 17.5 | | 13.5 | 19.3 | | 10 |
| 16 | | 12 | 17.8 | | 9 |
| 14.5 | | 10.5 | 16.3 | | 8 |
| 13 | | 9 | 14.8 | | 7 |
| 11.5 | | 7.5 | 13.3 | | 6 |
| 10 | 6 | 11.8 | 5 | | |
| 8.5 | (±0.20) | 4.5 | 10.3 | (±0.20) | 4 |
| 7 | | 3 | 8.8 | | 3 |
| 5.5 | | 1.5 | 7.3 | | 2 |
| | | C | B | A | 極数 CKT NO |

| 番号 NO. | 部品 PART | 材質 MATERIAL | |
|--------|----------------|--|--|
| ① | ハウジング HOUSING | ポリアミド(PA) UL94V-0 色 : SEE CHART POLYAMIDE(PA) UL94V-0 COLOR : SEE CHART | |
| ② | ターミナル TERMINAL | 銅合金 COPPER ALLOY | |
| | | コンタクト部 CONTACT AREA | 金めつき : 製品一覧参照 GOLD PLATING : SEE PRODUCT LIST |
| | | テール部 TAIL AREA | 無光沢錫めつき : 1.0 micro-meter MIN MATTE TIN PLATING : 1.0 micro-meter MIN |
| ③ | ネイル NAIL | 下地めつき(全面) UNDER PLATING (WHOLE SURFACE) | ニッケルめつき : 2.0 micro-meters MIN NICKEL PLATING : 2.0 micro-meters MIN |
| | | 黄銅 BRASS | |
| | | 無光沢錫めつき : 1.0 micro-meter MIN MATTE TIN PLATING | |
| | | ニッケルめつき(下地) : 1.0 micro-meter MIN NICKEL PLATING (UNDER PLATING) | |

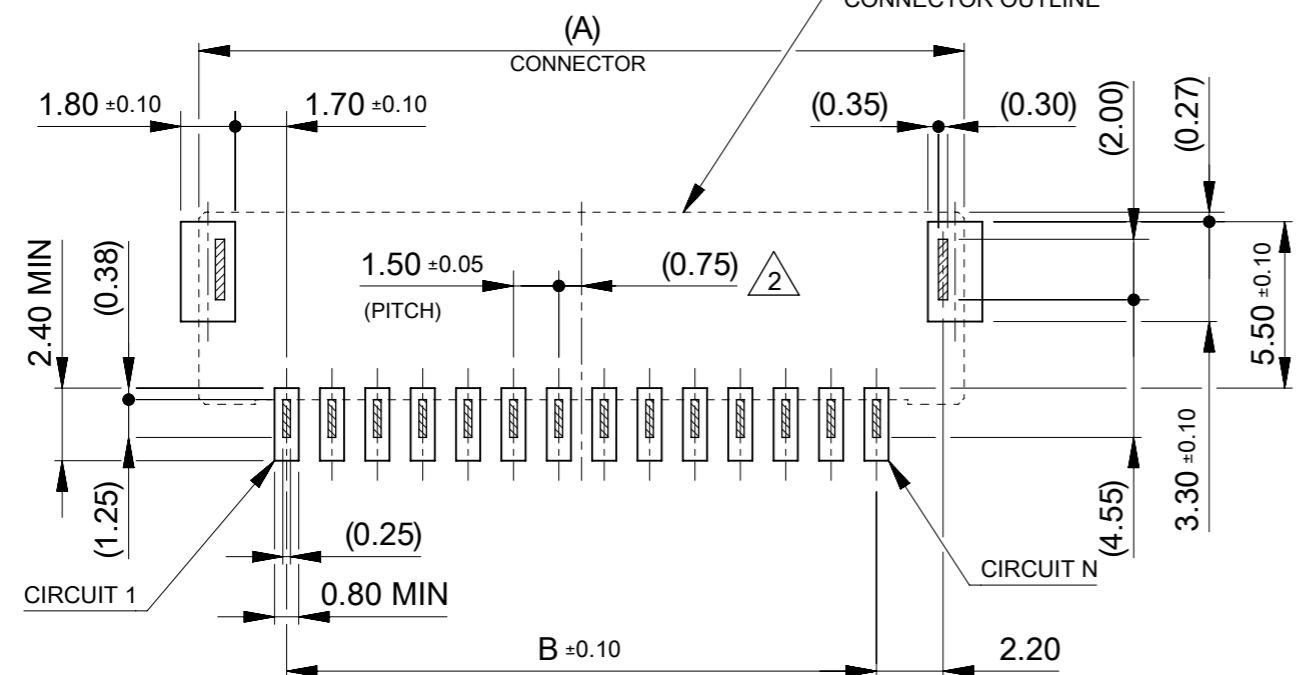
THIS DRAWING CONTAINS INFORMATION THAT IS PROPRIETARY TO MOLEX ELECTRONIC TECHNOLOGIES, LLC AND SHOULD NOT BE USED WITHOUT WRITTEN PERMISSION

| | | | | | |
|--|------------------------|-----------------------------|--|-----------------|--------------|
| DIMENSION UNITS | SCALE | CURRENT REV DESC: | molex | | |
| mm | NTS | | | | |
| GENERAL TOLERANCES (UNLESS SPECIFIED) | | | CLIK-MATE 1.5 SINGLE ROW SMT VT TYPE REC ASSY GOLD PLATING | | |
| ANGULAR TOL | ± 3.0 ° | EC NO: 701023 | PRODUCT CUSTOMER DRAWING | | |
| 4 PLACES | ± 0.2 | DRWN: MIKEDA01 2022/03/28 | DOCUMENT NUMBER | | |
| 3 PLACES | ± 0.2 | CHK'D: SAKIYAMA 2022/05/09 | DOC TYPE | | |
| 2 PLACES | ± 0.2 | APPR: AIDA 2022/05/09 | DOC PART | | |
| 1 PLACE | ± 0.2 | INITIAL REVISION: | REVISION | | |
| 0 PLACES | ± 0.2 | DRWN: MIKEDA01 2019/11/07 | 2132250000-SD | | |
| | | APPR: KOMURAKAMI 2019/11/20 | PSD 000 E | | |
| DRAFT WHERE APPLICABLE MUST REMAIN WITHIN DIMENSIONS | THIRD ANGLE PROJECTION | DRAWING | SERIES | MATERIAL NUMBER | CUSTOMER |
| | | A3-SIZE | 213225 | GENERAL | SHEET NUMBER |
| | | | | | 1 OF 6 |



製品レイアウト
PRODUCT LAYOUT

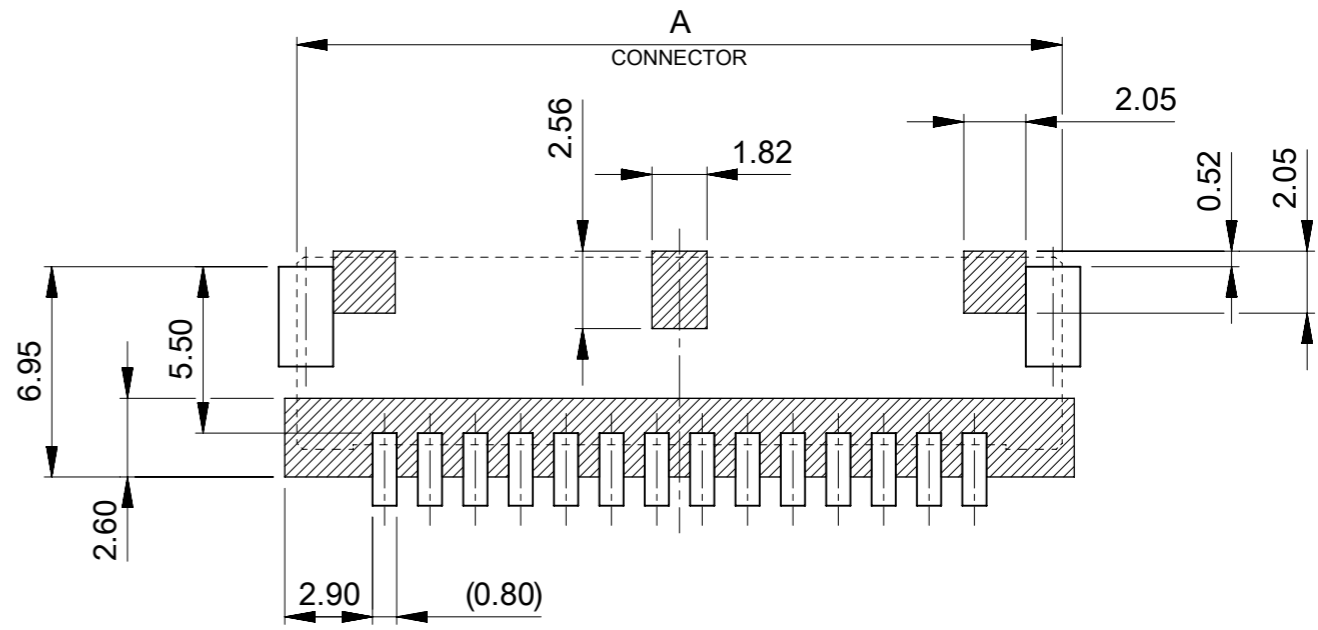
コネクタ外形
CONNECTOR OUTLINE



基板レイアウト(参考)

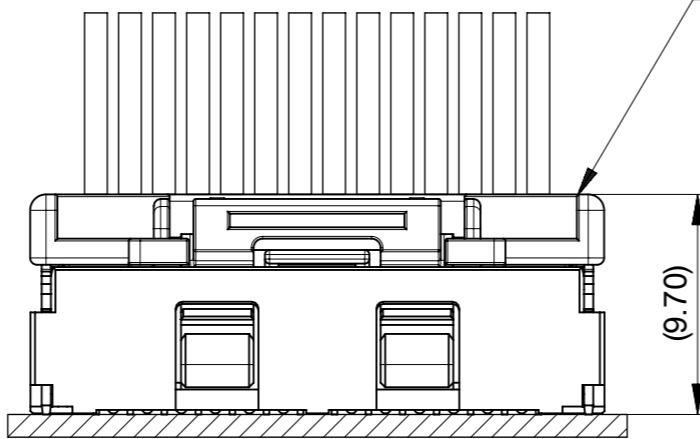
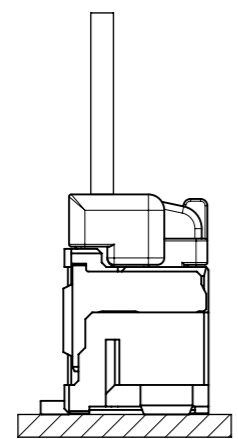
PCB PATTERN LAYOUT (REFERENCE)

(参考: メタルマスク厚さ 0.10mm, マスク開口率100%)
(REFERENCE: METAL MASK THICKNESS 0.10mm, APERTURE RATIO 100%)



パターン非推奨エリア

パターンを引き回す際は、製品機能に影響がないことをご確認ください。
PATTERN IS NOT RECCOMENDED ON THE HATCHED AREA.
PLEASE CHECK NOT TO HAVE PROBLEM FOR PRODUCT FUNCTION
WHEN SETTING PATTERN ON THE HATCHED AREA.

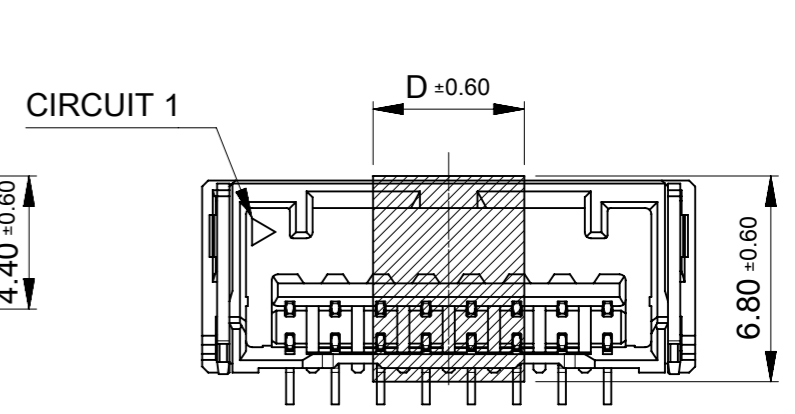
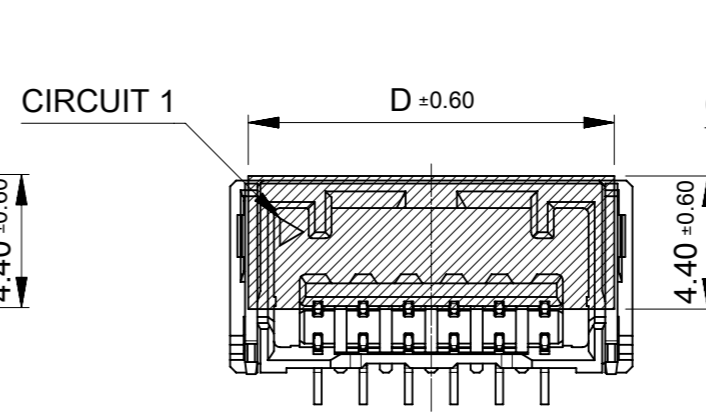
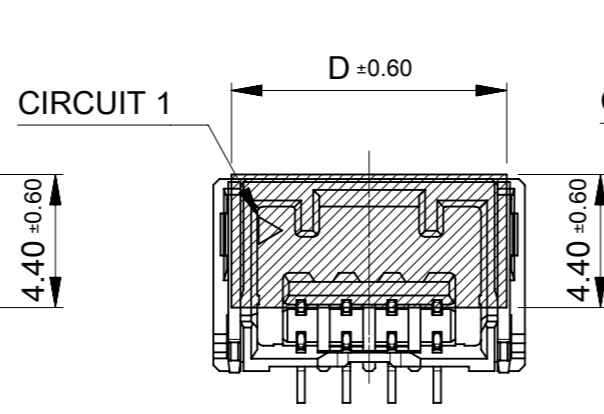
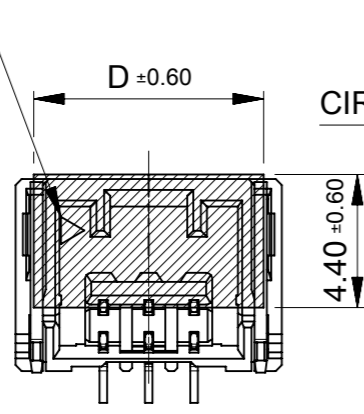
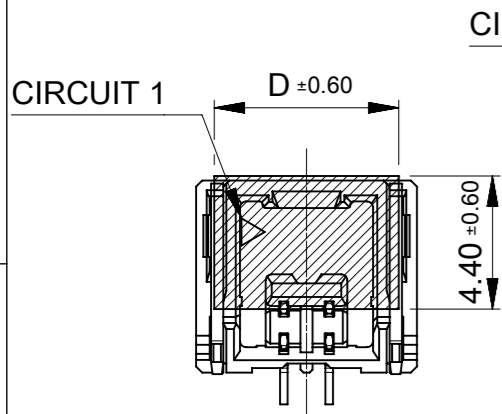
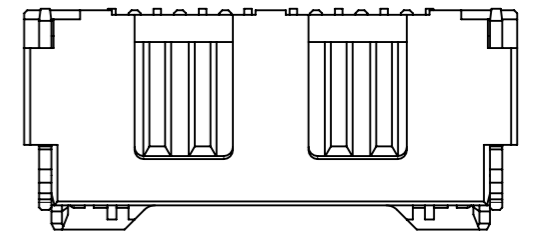
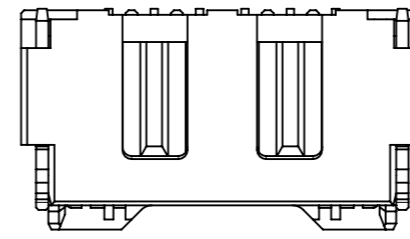
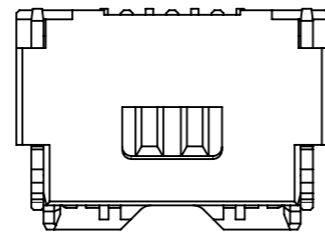
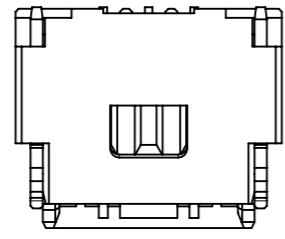
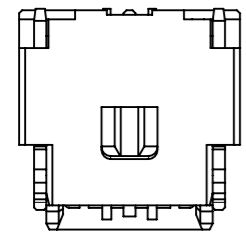


MATED CONNECTORS

嵌合相手: 502578 シリーズ
MATE WITH: 502578 SERIES

| | | | | | |
|---|--------|-------------------|--|--|--|
| THIS DRAWING CONTAINS INFORMATION THAT IS PROPRIETARY TO MOLEX ELECTRONIC TECHNOLOGIES, LLC AND SHOULD NOT BE USED WITHOUT WRITTEN PERMISSION | | CURRENT REV DESC: | | molex | |
| DIMENSION UNITS | SCALE | | | | |
| mm | NTS | | | CLIK-MATE 1.5 SINGLE ROW SMT VT TYPE REC ASSY GOLD PLATING | |
| GENERAL TOLERANCES (UNLESS SPECIFIED) | | | | PRODUCT CUSTOMER DRAWING | |
| ANGULAR TOL | ± 3.0° | | | DOCUMENT NUMBER | |
| 4 PLACES | ± 0.2 | EC NO: 701023 | | 2132250000-SD | |
| 3 PLACES | ± 0.2 | DRWN: MIKEDA01 | | DOC TYPE | |
| 2 PLACES | ± 0.2 | CHK'D: SAKIYAMA | | PSD | |
| 1 PLACE | ± 0.2 | APPR: AIDA | | DOC PART | |
| 0 PLACES | ± 0.2 | INITIAL REVISION: | | 000 | |
| DRAFT WHERE APPLICABLE MUST REMAIN WITHIN DIMENSIONS | | DRWN: MIKEDA01 | | REVISION | |
| THIRD ANGLE PROJECTION | | APPR: KOMURAKAMI | | E | |
| DRAWING | | SERIES | | SHEET NUMBER | |
| A3-SIZE | | 213225 | | 2 OF 6 | |
| MATERIAL NUMBER | | CUSTOMER | | | |
| | | GENERAL | | | |

ロック形状および吸着エリア
LOCK SHAPE AND VACCUME AREA



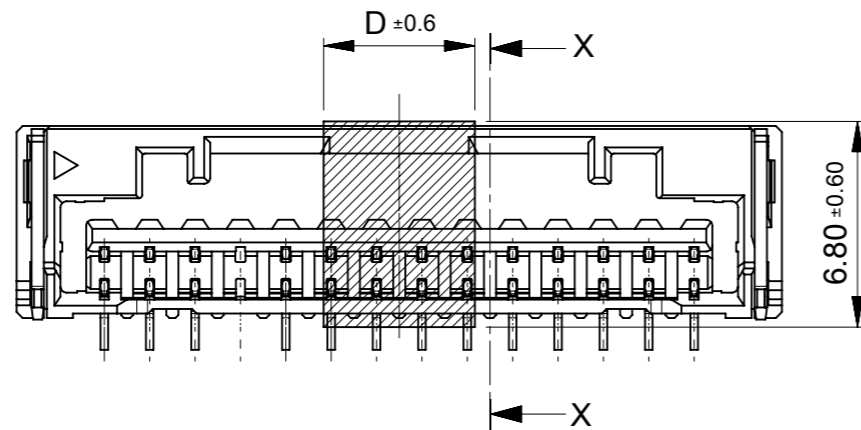
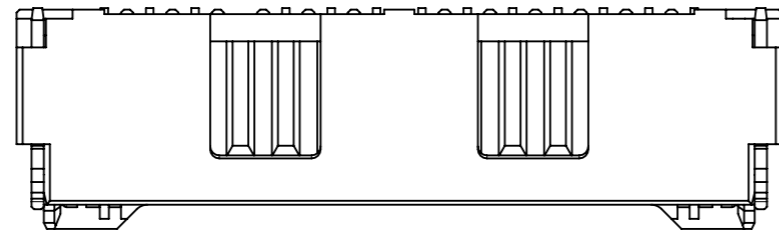
2 極
2 CKTS

3 極
3 CKTS

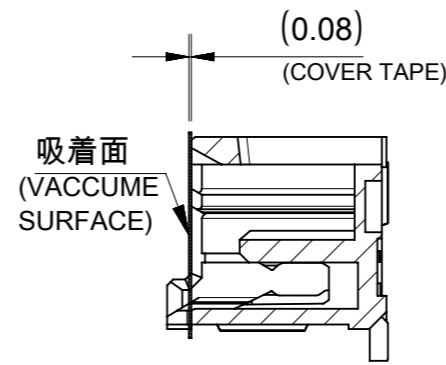
4-5 極
4-5 CKTS

6, 7 極
6, 7 CKTS

8-11 極
8-11 CKTS



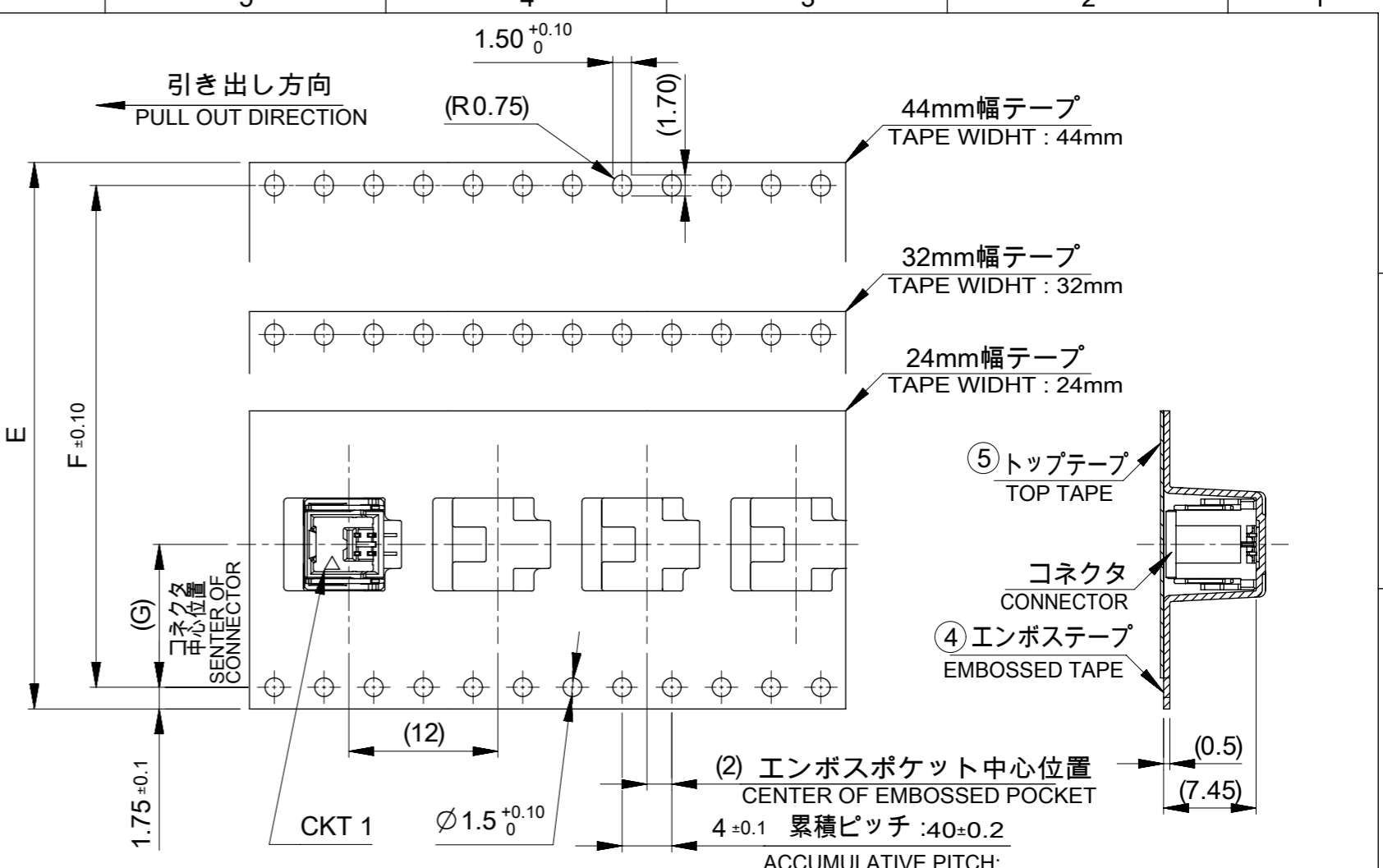
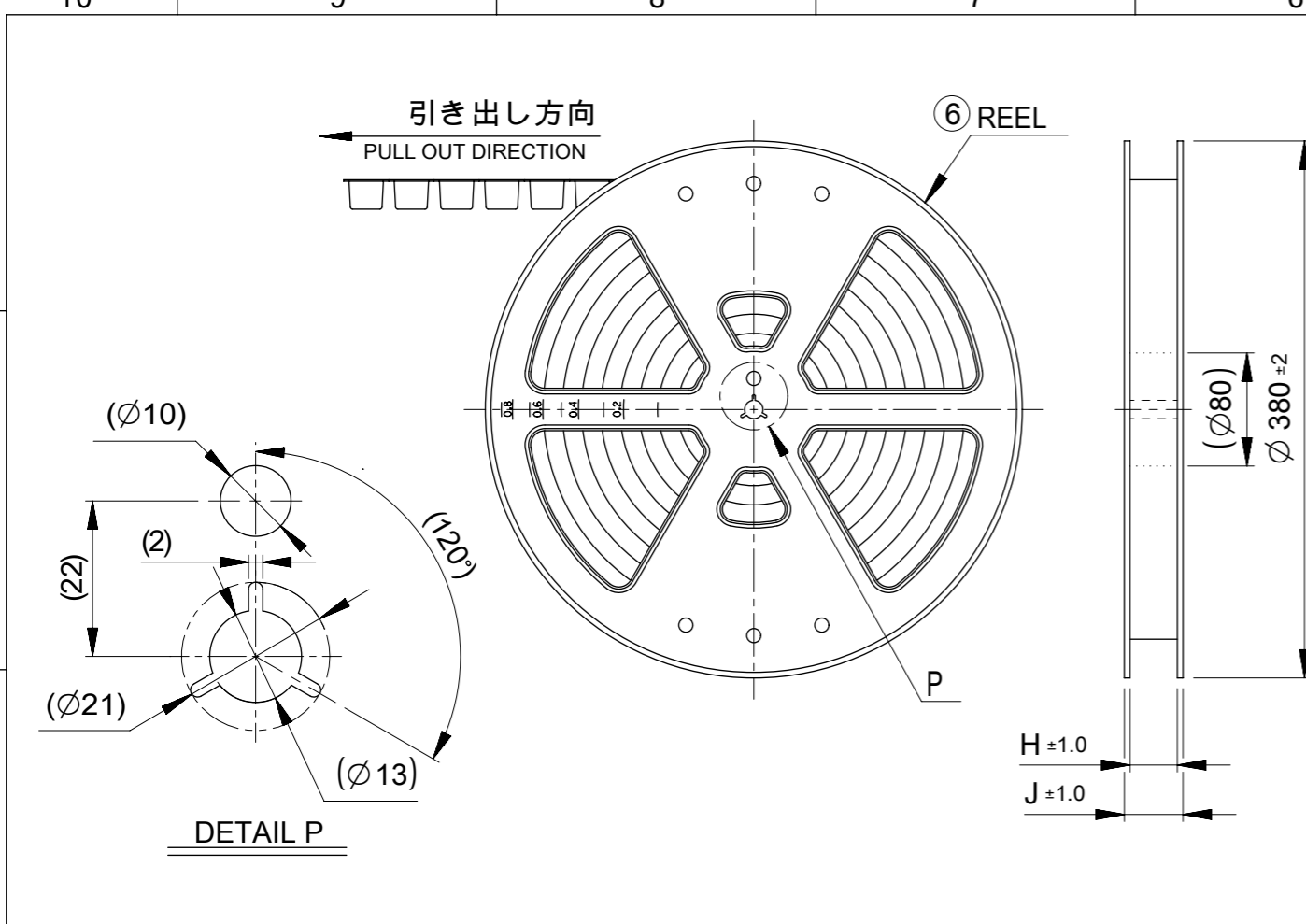
12-15 極
12-15 CKTS



SECTION X-X

| | |
|------|--------------|
| 5.0 | 15 |
| | 14 |
| | 13 |
| | 12 |
| | 11 |
| | 10 |
| | 9 |
| 13.6 | 8 |
| | 7 |
| | 6 |
| 12.1 | 5 |
| 10.6 | 4 |
| 9.1 | 3 |
| 7.6 | 2 |
| 6.1 | 1 |
| D | 極数 CKT NO |

| | | | | | |
|---|---------|------------------------|---------|--|-----------------|
| THIS DRAWING CONTAINS INFORMATION THAT IS PROPRIETARY TO MOLEX ELECTRONIC TECHNOLOGIES, LLC AND SHOULD NOT BE USED WITHOUT WRITTEN PERMISSION | | CURRENT REV DESC: | | molex | |
| DIMENSION UNITS | SCALE | | | | |
| mm | NTS | | | CLIK-MATE 1.5 SINGLE ROW SMT VT TYPE REC ASSY GOLD PLATING | |
| GENERAL TOLERANCES (UNLESS SPECIFIED) | | | | PRODUCT CUSTOMER DRAWING | |
| ANGULAR TOL | ± 3.0 ° | | | DOCUMENT NUMBER | |
| 4 PLACES | ± 0.2 | | | 2132250000-SD | |
| 3 PLACES | ± 0.2 | | | DOC TYPE | DOC PART |
| 2 PLACES | ± 0.2 | | | PSD | 000 |
| 1 PLACE | ± 0.2 | | | REVISION | E |
| 0 PLACES | ± 0.2 | | | | |
| DRAFT WHERE APPLICABLE MUST REMAIN WITHIN DIMENSIONS | | THIRD ANGLE PROJECTION | DRAWING | SERIES | MATERIAL NUMBER |
| | | | A3-SIZE | 213225 | CUSTOMER |
| | | | | GENERAL | SHEET NUMBER |
| | | | | 3 OF 6 | |



NOTES

- 5. 梱包数量 : 900個/リール
NUMBER OF CONNECTORS : 900 PIECES/REEL
 - 6. リードテープ長さ
LEAD TAPE LENGTH
-
- 7. トップテープの剥離強度はJIS C0806-3に準拠。
TOP TAPE PEELING FORCE IS DEFINED BY JIS C0806-3.
 - 8. 本製品は乾燥剤入り、ハイバリア梱包である。
THIS PRODUCT IS DELIVERD IN HIGH BARRIER PACKAGE WITH DESICCANT.

| | | | | | |
|---|---|---|---|----------------------------|----------------|
| | | | | | 15 |
| | | | | | 14 |
| | | | | | 13 |
| | | | | | 12 |
| | | | | | 11 |
| | | | | | 10 |
| | | | | | 9 |
| | | | | | 8 |
| | | | | | 7 |
| | | | | | 6 |
| | | | | | 5 |
| | | | | | 4 |
| | | | | | 3 |
| | | | | | 2 |
| J | H | G | F | エンボステープ幅E WIDTH OF TAPE | 極数 CKT. NO. |

| 番号 NO. | 部品 PART | 材質 MATERIAL |
|-----------|---------------------------|--|
| ④ | エンボステープ EMBOSSSED TAPE | ポリスチレン(PS) POLYSTYRENE(PS) |
| ⑤ | トップテープ TOP TAPE | ポリエチレン、ポリエチレンテレフタレート POLYETHLENE(PE), POLYETHYLENE TEREPHTHALATE(PET) |
| ⑥ | リール REEL | ポリスチレン(PS) <リサイクル材を含む> POLYSTYRENE(PS) <RECYCLE MATERIAL CONTAINED> |

THIS DRAWING CONTAINS INFORMATION THAT IS PROPRIETARY TO MOLEX ELECTRONIC TECHNOLOGIES, LLC AND SHOULD NOT BE USED WITHOUT WRITTEN PERMISSION

| | | | |
|--|--------------|---|--|
| DIMENSION UNITS mm | SCALE NTS | CURRENT REV DESC: | |
| GENERAL TOLERANCES (UNLESS SPECIFIED) | | <p>molex</p> <p>CLIK-MATE 1.5 SINGLE ROW SMT VT TYPE REC ASSY GOLD PLATING</p> <p>PRODUCT CUSTOMER DRAWING</p> | |
| ANGULAR TOL | ± 3.0 ° | | |
| 4 PLACES | ± 0.2 | | |
| 3 PLACES | ± 0.2 | | |
| 2 PLACES | ± 0.2 | | |
| 1 PLACE | ± 0.2 | <p>EC NO: 701023 DRWN: MIKEDA01 CHK'D: SAKIYAMA APPR: AIDA</p> | |
| 0 PLACES | ± 0.2 | <p>INITIAL REVISION: DRWN: MIKEDA01 APPR: KOMURAKAMI</p> | |
| DRAFT WHERE APPLICABLE MUST REMAIN WITHIN DIMENSIONS | | THIRD ANGLE PROJECTION | DRAWING A3-SIZE |
| | | SERIES 213225 | MATERIAL NUMBER CUSTOMER GENERAL |
| DOCUMENT STATUS P1 | | RELEASE DATE 2022/05/09 03:15:35 | DOCUMENT NUMBER 2132250000-SD |
| | | | DOC TYPE PSD |
| | | | DOC PART 000 |
| | | | REVISION E |
| | | | SHEET NUMBER 4 OF 6 |

△₃ 適用製品及び各種仕様書
 APPLICABLE PRODUCTS AND VARIOUS SPECIFICATIONS

| | | |
|----------------------------------|----------------------------|-----------------------------------|
| 梱包仕様書 PACKAGING SPECIFICATION | PART NUMBER 213225 **** | DOCUMENT NUMBER 2132259200-SPK |
|----------------------------------|----------------------------|-----------------------------------|

| | | | | |
|--|---------------|-------------------------|-------------|-------------|
| 適用嵌合相手 MATE WITH | HOUSING | TERMINAL (GOLD PLATING) | | |
| | | PLATING THK | #24-28 | #28-30 |
| 製品番号 PRODUCT NUMBER | 502578 **** | 0.1 micro-meters | 213028 1*00 | 213029 1*00 |
| | | 0.38 micro-meters | 213028 3*00 | 213029 3*00 |
| | | 0.76 micro-meters | 213028 7*00 | 213029 7*00 |
| 製品仕様書 PRODUCT SPECIFICATION | 5025780004-PS | | | |
| アプリケーション仕様書 APPLICATION SPECIFICATION | AS-502578-001 | | | |

| | | | | | | | | | | |
|---|---------|----------------------------|--------------------|------------------|--|----------|-----------------|----------|----------|------------------------|
| THIS DRAWING CONTAINS INFORMATION THAT IS PROPRIETARY TO MOLEX ELECTRONIC TECHNOLOGIES, LLC AND SHOULD NOT BE USED WITHOUT WRITTEN PERMISSION | | | | | | | | | | |
| DIMENSION UNITS | SCALE | CURRENT REV DESC: | | | molex | | | | | |
| mm | NTS | | | | CLIK-MATE 1.5 SINGLE ROW SMT VT TYPE REC ASSY GOLD PLATING | | | | | |
| GENERAL TOLERANCES (UNLESS SPECIFIED) | | | | | PRODUCT CUSTOMER DRAWING | | | | | |
| ANGULAR TOL | ± 3.0 ° | | | | | | | | | |
| 4 PLACES | ± 0.2 | EC NO: 701023 | | | | | | | | |
| 3 PLACES | ± 0.2 | DRWN: MIKEDA01 | | | 2022/03/28 | | | | | |
| 2 PLACES | ± 0.2 | CHK'D: SAKIYAMA | | | 2022/05/09 | | | | | |
| 1 PLACE | ± 0.2 | APPR: AIDA | | | 2022/05/09 | | | | | |
| 0 PLACES | ± 0.2 | INITIAL REVISION: | | | | | | | | |
| | | DRWN: MIKEDA01 | | | 2019/11/07 | | | | | |
| | | APPR: KOMURAKAMI | | | 2019/11/20 | | | | | |
| DRAFT WHERE APPLICABLE MUST REMAIN WITHIN DIMENSIONS | | THIRD ANGLE PROJECTION | DRAWING A3-SIZE | SERIES 213225 | MATERIAL NUMBER | CUSTOMER | DOCUMENT NUMBER | DOC TYPE | DOC PART | REVISION |
| | | | | | 2132250000-SD | GENERAL | 2132250000-SD | PSD | 000 | E |
| | | | | | | | | | | SHEET NUMBER 5 OF 6 |

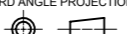
| | | | | |
|-----------------|----|--------------|------------|----------|
| DOCUMENT STATUS | P1 | RELEASE DATE | 2022/05/09 | 03:15:35 |
|-----------------|----|--------------|------------|----------|

△ 製品一覧 PRODUCT LIST

| 黒 BLACK | ナチュラル NATURAL | HOUSING COLOR | |
|------------------|---------------|---------------|---|
| 213225 1511 | 213225 1510 | 15 | 213225 **1* (GOLD PLATING THICKNESS: 0.1 micro-meters MIN) |
| 213225 1411 | 213225 1410 | 14 | |
| 213225 1311 | 213225 1310 | 13 | |
| 213225 1211 | 213225 1210 | 12 | |
| 213225 1111 | 213225 1110 | 11 | |
| 213225 1011 | 213225 1010 | 10 | |
| 213225 0911 | 213225 0910 | 9 | |
| 213225 0811 | 213225 0810 | 8 | |
| 213225 0711 | 213225 0710 | 7 | |
| 213225 0611 | 213225 0610 | 6 | |
| 213225 0511 | 213225 0510 | 5 | |
| 213225 0411 | 213225 0410 | 4 | |
| 213225 0311 | 213225 0310 | 3 | |
| 213225 0211 | 213225 0210 | 2 | |
| オーダー番号 ORDER No. | | 極数 CKT. | |

| 黒 BLACK | ナチュラル NATURAL | HOUSING COLOR | |
|------------------|---------------|---------------|--|
| 213225 1531 | 213225 1530 | 15 | 213225 **3* (GOLD PLATING THICKNESS: 0.38 micro-meters MIN) |
| 213225 1431 | 213225 1430 | 14 | |
| 213225 1331 | 213225 1330 | 13 | |
| 213225 1231 | 213225 1230 | 12 | |
| 213225 1131 | 213225 1130 | 11 | |
| 213225 1031 | 213225 1030 | 10 | |
| 213225 0931 | 213225 0930 | 9 | |
| 213225 0831 | 213225 0830 | 8 | |
| 213225 0731 | 213225 0730 | 7 | |
| 213225 0631 | 213225 0630 | 6 | |
| 213225 0531 | 213225 0530 | 5 | |
| 213225 0431 | 213225 0430 | 4 | |
| 213225 0331 | 213225 0330 | 3 | |
| 213225 0231 | 213225 0230 | 2 | |
| オーダー番号 ORDER No. | | 極数 CKT. | |

| 黒 BLACK | ナチュラル NATURAL | HOUSING COLOR | |
|------------------|---------------|---------------|--|
| 213225 1571 | 213225 1570 | 15 | 213225 **7* (GOLD PLATING THICKNESS: 0.76 micro-meters MIN) |
| 213225 1471 | 213225 1470 | 14 | |
| 213225 1371 | 213225 1370 | 13 | |
| 213225 1271 | 213225 1270 | 12 | |
| 213225 1171 | 213225 1170 | 11 | |
| 213225 1071 | 213225 1070 | 10 | |
| 213225 0971 | 213225 0970 | 9 | |
| 213225 0871 | 213225 0870 | 8 | |
| 213225 0771 | 213225 0770 | 7 | |
| 213225 0671 | 213225 0670 | 6 | |
| 213225 0571 | 213225 0570 | 5 | |
| 213225 0471 | 213225 0470 | 4 | |
| 213225 0371 | 213225 0370 | 3 | |
| 213225 0271 | 213225 0270 | 2 | |
| オーダー番号 ORDER No. | | 極数 CKT. | |

| | | | | | | | | | |
|---|--|---|--|-----------------------------|--|---------|--|---------------------------------|--|
| THIS DRAWING CONTAINS INFORMATION THAT IS PROPRIETARY TO MOLEX ELECTRONIC TECHNOLOGIES, LLC AND SHOULD NOT BE USED WITHOUT WRITTEN PERMISSION | | | | | | | | | |
| DIMENSION UNITS | | SCALE | | CURRENT REV DESC: | | | | molex | |
| mm | | NTS | | | | | | | |
| GENERAL TOLERANCES (UNLESS SPECIFIED) | | | | EC NO: 701023 | | | | CLIK-MATE 1.5 | |
| ANGULAR TOL ± 3.0 ° | | | | DRWN: MIKEDA01 2022/03/28 | | | | SINGLE ROW SMT VT TYPE REC ASSY | |
| 4 PLACES ± 0.2 | | | | CHK'D: SAKIYAMA 2022/05/09 | | | | GOLD PLATING | |
| 3 PLACES ± 0.2 | | | | APPR: AIDA 2022/05/09 | | | | PRODUCT CUSTOMER DRAWING | |
| 2 PLACES ± 0.2 | | | | INITIAL REVISION: | | | | DOCUMENT NUMBER | |
| 1 PLACE ± 0.2 | | | | DRWN: MIKEDA01 2019/11/07 | | | | 2132250000-SD | |
| 0 PLACES ± 0.2 | | | | APPR: KOMURAKAMI 2019/11/20 | | | | PSD 000 E | |
| DRAFT WHERE APPLICABLE MUST REMAIN WITHIN DIMENSIONS | | THIRD ANGLE PROJECTION | | DRAWING | | SERIES | | MATERIAL NUMBER | |
| | |  | | A3-SIZE | | 213225 | | CUSTOMER | |
| | | | | | | GENERAL | | SHEET NUMBER | |
| | | | | | | | | 6 OF 6 | |