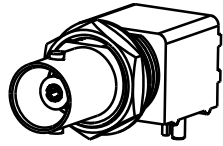


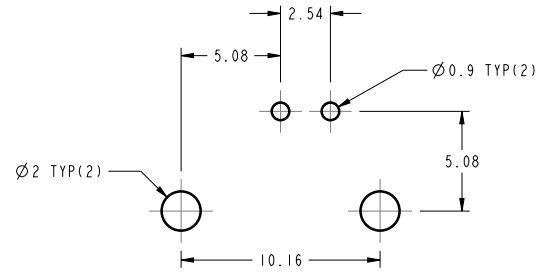
- NOTES:
- MATERIALS AND FINISHES:
 BODY - PBT 15% G.F. WHITE
 CONTACT - PHOPHOR BRONZE, GOLD PLATING (.000003 THICK)
 @CONTACT AREA ONLY, TIN PLATING AT TAIL, NICKEL PLATED OVERALL
 INSULATOR - POLYPROPYLENE
 HOUSING- PBT, WHITE, 15% G.F.
 GROUNDING TERMINAL-STEEL, TIN PLATING
 ROUND PIN-BRASS, TIN PLATING
 - ELECTRICAL:
 A. IMPEDANCE: 50 OHM
 B. FREQUENCY RANGE: DC - 1GHz
 C. DIELECTRIC WITHSTANDING VOLTAGE: 1500 VRMS, MIN.
 - MECHANICAL:
 A. DURABILITY: 500 CYCLES MIN.
 B. TEMPERATURE RANGE: -55° C TO 85° C
 - PACKAGING:
 A. PACKAGED IN PACKING TRAY
 B. QUANTITY PER TRAY: 40

THIRD ANGLE PROJ.

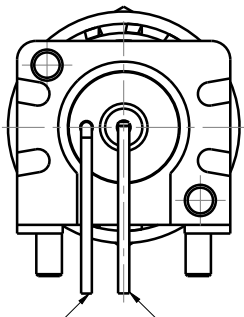
		REVISIONS		
REV	DESCRIPTION	DATE	ECO	APPR
A	RELEASE TO MFG	3/15/90	37099	DR
H	SEE SHEET 1	11/27/96	41683	CPM
J	SEE SHEET 1	5/9/01	43738	CPM
K	SEE SHEET 1	2/3/05	45257	CPM
L	UPDATED FORMAT AND NOMINAL ENVELOPE DIMENSIONS	10/2/12	49195	EW
M	NOTE 1 WAS BODY - ZINC DIE CAST, NICKEL PLATING	1/17/13	49397	EW
	UPDATE PCB LAYOUT	9/8/16	01845	KCE



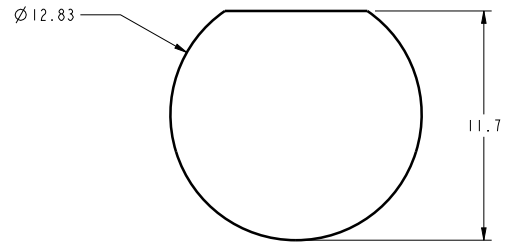
SCALE 1.500



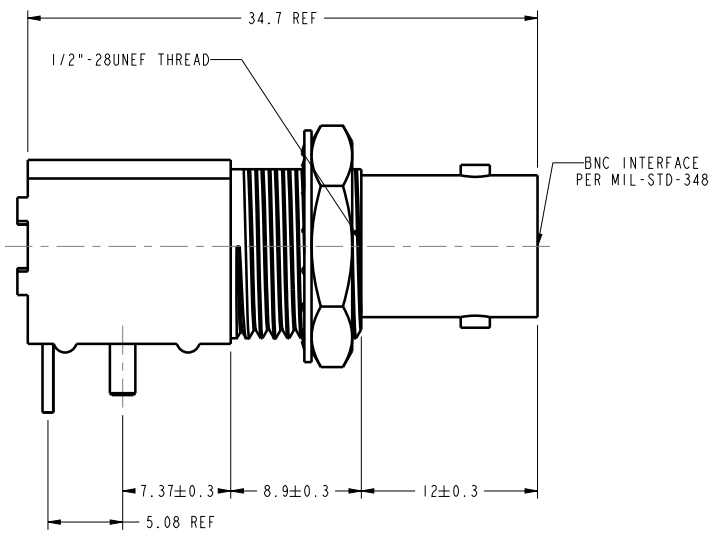
RECOMMENDED PCB LAYOUT



GROUNDING TERMINAL CONTACT TAIL/SIGNAL



RECOMMENDED PANEL CUTOUT



CUSTOMER OUTLINE DRAWING
 ALL OTHER SHEETS ARE FOR INTERNAL USE ONLY

UNLESS OTHERWISE SPECIFIED, DIMENSIONS ARE IN METRIC AND TOLERANCES ARE:
 <0.5mm ±0.05mm 0.5 - 6mm ±0.1mm 6 - 30mm ±0.2mm 30 - 120mm ±0.3mm ANGLES ±1°

NOTICE - These drawings, specifications, or other data (1) are, and remain the property of Amphenol Corp. (2) must be returned upon request; and (3) are confidential and not to be disclosed to any person other than those to whom they are given by Amphenol Corp. the furnishing of these drawings, specifications, or other data by Amphenol Corp., or to any other person to anyone for any purpose is not to be regarded by implication or otherwise in any manner licensing, granting rights to permitting such holder or any other person to manufacture, use or sell any product, process or design, patented or otherwise, that may in any way be related to or disclosed by said drawings, specifications, or other data.

MATERIAL	SEE NOTES	DRAWN	T. ALBERA	DATE	4/5/91
REFERENCE	EAR 71004-5	ENGINEER	D. ROYCE	DATE	4/8/91
FINISH		APPROVED	D. ROYCE	DATE	4/8/91
		CAD FILE			

TITLE	BNC JACK, 50 OHM LOW-PROFILE ISOLATED PCB RECEPTACLE, WHITE RIGHT ANGLE MOUNT
SCALE:	3.0:1.0 SHEET 2 OF 2
DWG SIZE	B
REV	N

Amphenol RF	
www.amphenolrf.com	
DRAWING NO. 031-5486	
ITEM NO. 031-5486	
PART NO. 031-5486	