

REVISION HISTORY			REVISION APPROVAL			
REV	ECO	DESCRIPTION	PROJECT ENGINEER	APPROVAL DATE	DOCUMENT CONTROL	APPROVAL DATE
A	E11833	INITIAL RELEASE	XT	2/15/02	K1S	2/14/02

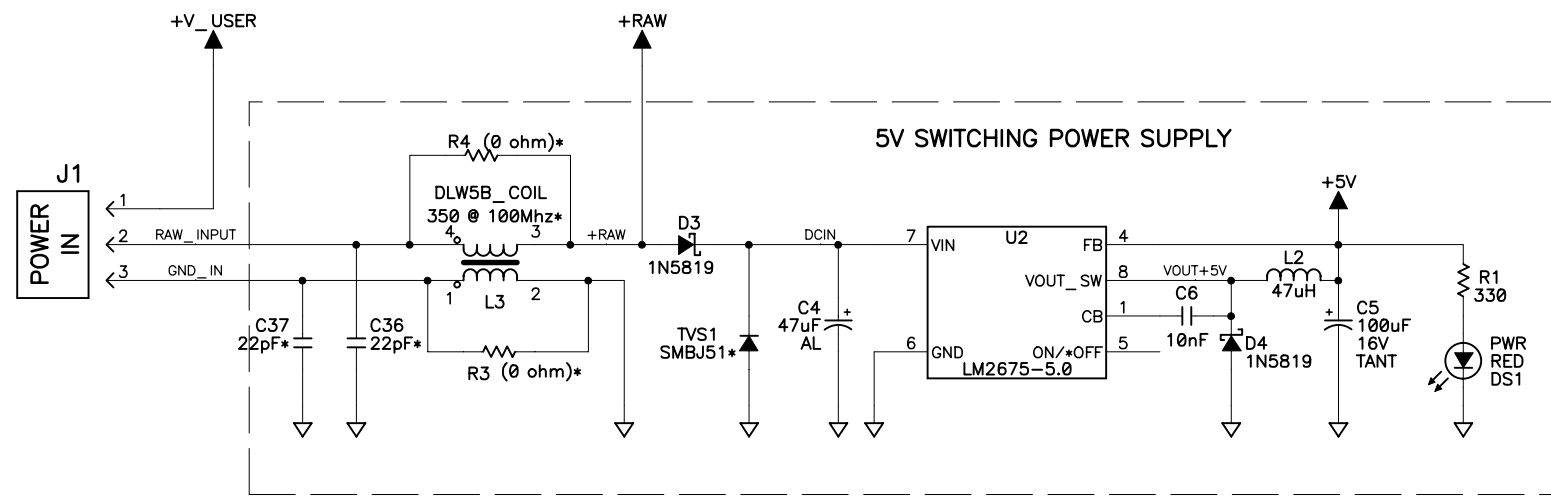
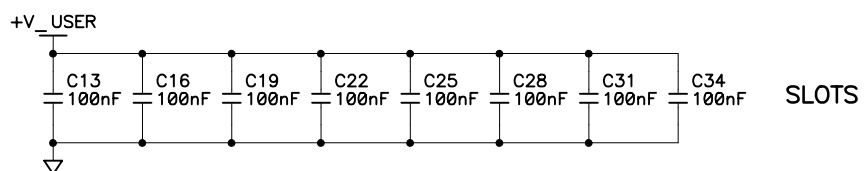
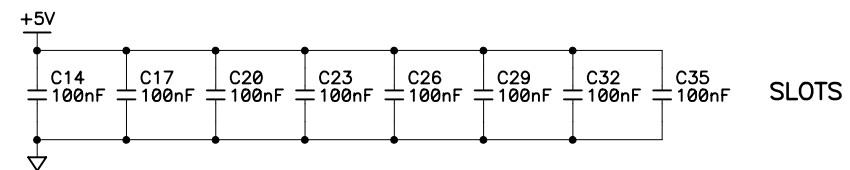
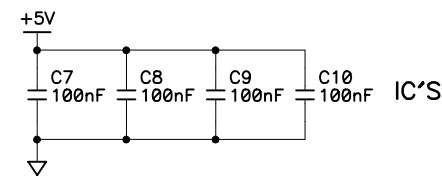


TABLE A

REF DES	DEVICE	DEVICE VOLTAGE INFORMATION			DEVICE: FILTER CAP REF DES(s)
		GND	+5V	NO CONNECTS	
U2	LM2675-5.0			2,3	
U3	74VHC245	10	20		C7
U4	74VHC245	10	20		C8
U5	74VHC138	8	16		C9
U6	74VHC245	10	20		C10

Decoupling Capacitors




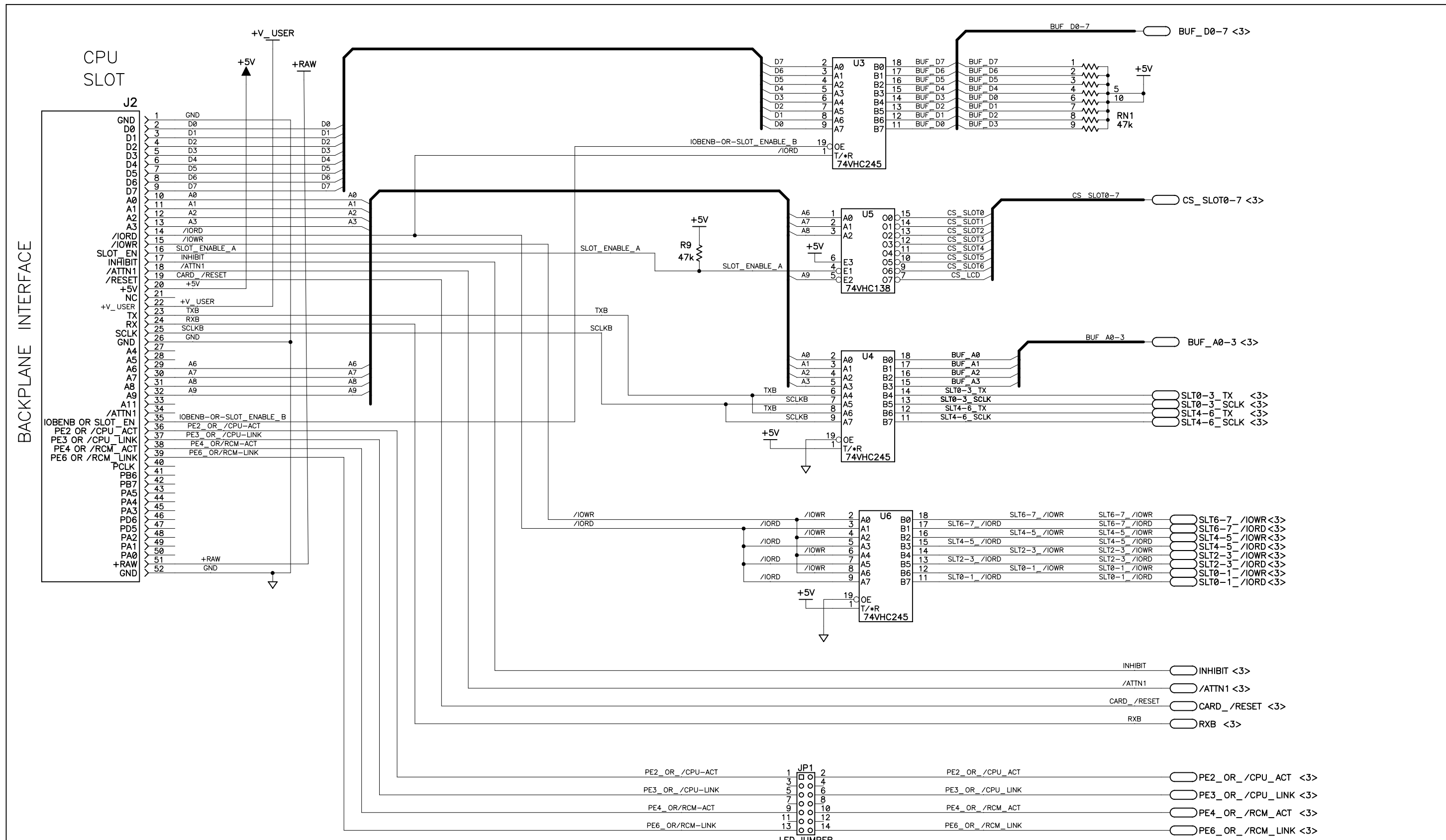
STUFFING TABLE

	PART	SR9010 BACKPLANE
POWER SUPPLY CIRCUIT (PAGE 1)	R3, R4	ZERO OHM RES
	L3	NOT STUFFED
	C36	NOT STUFFED
	C37	NOT STUFFED
	TVS1	NOT STUFFED
TERMINATION RES (PAGE 3)	R2, R5	NOT STUFFED
LED JUMPER (PAGE 2)	JP1	1-2, 5-6, 9-10, 13-14

- NOTES: UNLESS OTHERWISE SPECIFIED;
- ALL RESISTOR VALUES ARE IN OHMS, 1/10W, 5%
  - ALL CAPACITORS ARE 50VDC OR HIGHER.
  - THE ORIGIN SOURCE OF A VOLTAGE IS REPRESENTED BY (▲), AND ALL REFERENCES TO THAT VOLTAGE ARE REPRESENTED BY (⊥).
  - COMPONENT VALUES SHOWN WITH AN ASTERISK (\*) FOLLOWING THE VALUE, MAY HAVE DIFFERENT VALUES OR MAY NOT BE STUFFED DEPENDING ON MODEL. SEE STUFFING CHART FOR CLARIFICATION.

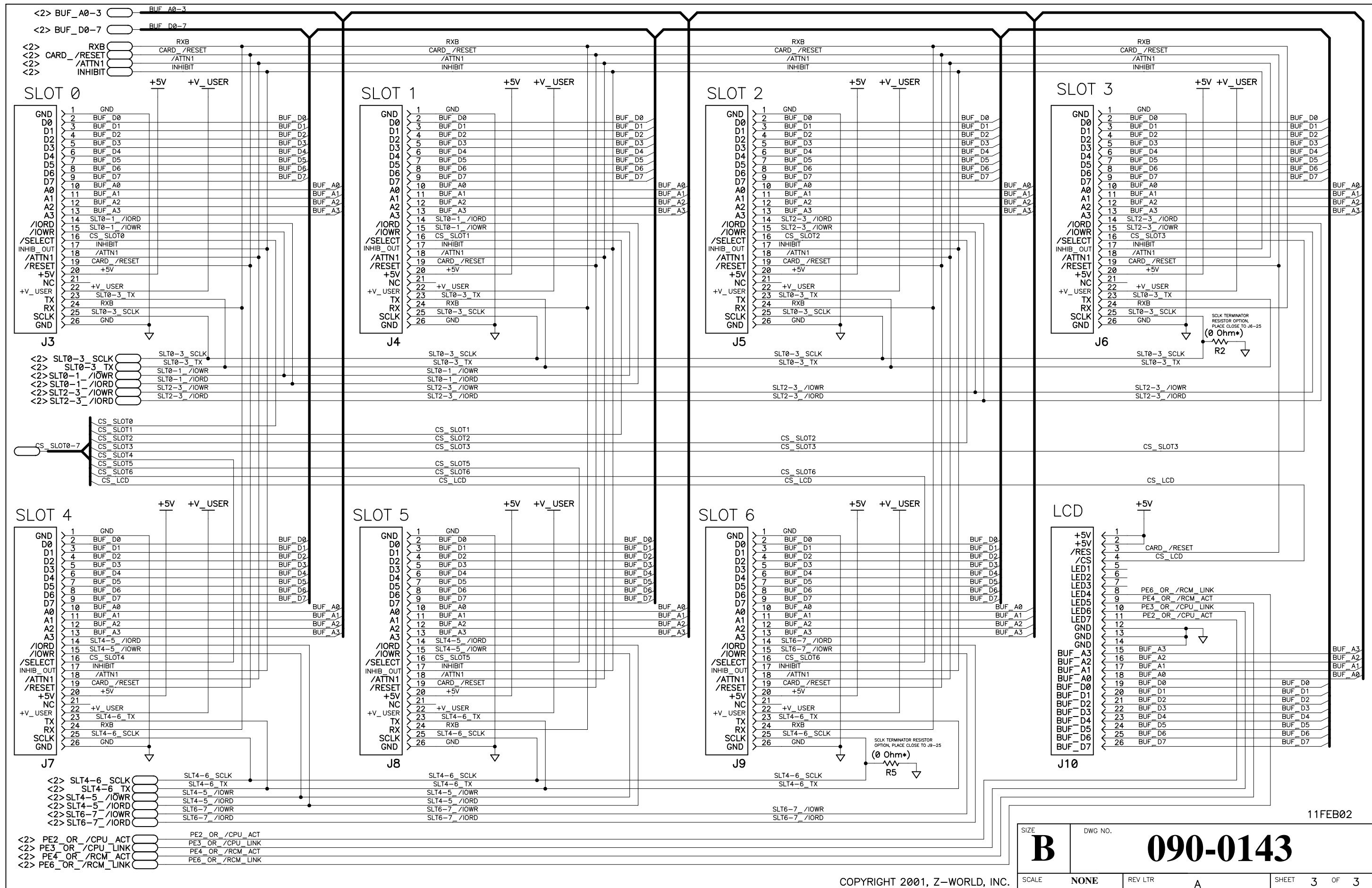
11FEB02 COPYRIGHT 2001, Z-WORLD, INC.

APPEND THE FOLLOWING DOCUMENTS WHEN CHANGING THIS DOCUMENT:	DRAWING CONTENT:		TITLE	 2900 SPAFFORD ST. DAVIS, CA 95616 530 - 757 - 4616
	DRAWN BY: (INITIAL RELEASE) <b>XUAN TRUONG</b>	<b>11FEB02</b>	SCHEMATIC DIAGRAM SR9010 7 SLOT BACKPLANE	
	REVISED BY:			
	APPROVALS: INITIAL RELEASE		SIZE <b>B</b> DWG NO. <b>090-0143</b>	
	PROJECT ENGINEER: Xuan Truong	2/15/02		
	ENGINEERING MANAGER: R. Matthews	2/15/02	SCALE NONE RELEASE DATE 2/15/02 SHEET 1 OF 3	
	SIGNATURES	DATE		



11FEB02 COPYRIGHT 2001, Z-WORLD, INC.

SIZE <b>B</b>	DWG NO. <b>090-0143</b>
SCALE NONE	REV LTR A
SHEET 2 OF 3	



11FEB02

SIZE	DWG. NO.	
<b>B</b>	<b>090-0143</b>	
SCALE	NONE	REV LTR
		A
SHEET		3 OF 3