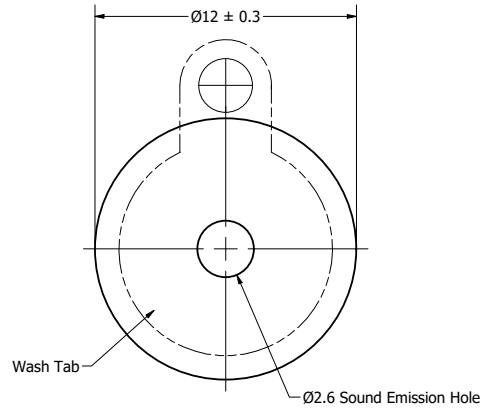
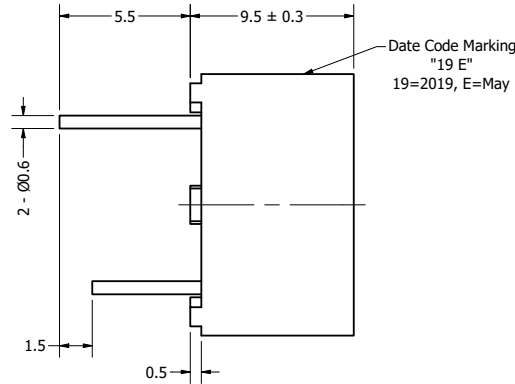


Part Number:	IE122312-3	
	DRAWN CJ	5/20/2019
Description:	Electro-Mechanical Indicator	
	CHECKED C.H.	5/21/2019
	APPROVED C.E.	5/21/2019
This document contains data proprietary to DB Unlimited. Any use or reproduction, in any form, without prior written permission of DB Unlimited is prohibited. All terms and conditions can be found at www.dbunlimitedco.com		

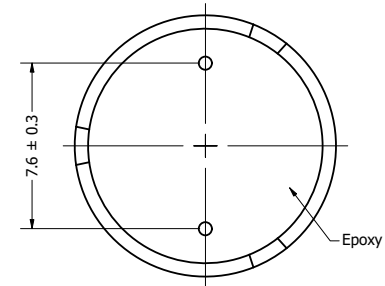
Top View



Side View



Bottom View



Items	Specifications	Conditions	REVISION HISTORY			
Min. Sound Pressure Level	85	dB (@ 10cm)	REV	DESCRIPTION	DATE	APPROVED
Tone	Single			Released from Engineering	10/21/20213	J.S.
Resonant Frequency	2,300	Hz	1	Updated drawing template, temps, voltage range, diameter, pin length, housing, weight	5/21/2019	C.E.
Rated Voltage	12	V	2	Updated SPL, diameter, length, wash tab, added tolerances	9/22/2022	P.D.
Voltage Range	8 ~ 16	V				
Max. Rated Current	30	mA				
Storage Temperature	-40 ~ +90	°C				
Operating Temperature	-40 ~ +85	°C				
Connection Method	PC Pins					
Mount Type	Thru Hole					
Housing Material	PBT					
Weight	1.8	g				

- NOTES
- 1) All dimensions are in mm unless otherwise noted
 - 2) All tolerances are ± 0.5 mm unless otherwise noted
 - 3) All parts meet RoHS
 - 4) Subject to change or redrawn without notice