

## Data sheet

### Modul IP44SG surface mounted housing unequipped

Page 1/6

P/N

1309460003-I

EAN 4250184117162

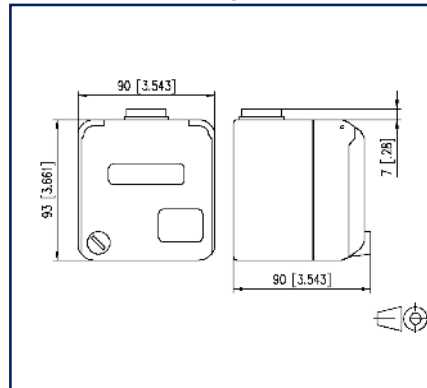
2023/04/24

Version: T

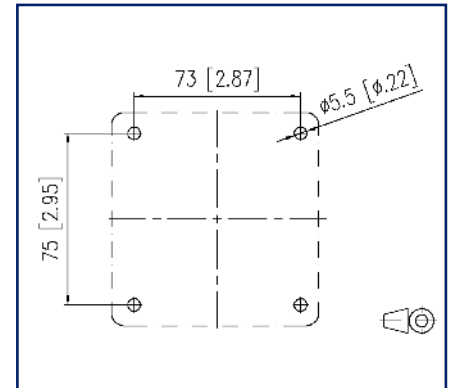
## Illustrations



Dimensional drawing



Drill pattern



See enlarged drawings at the end of document

## Product specification

- lockable flush-mounted IP44 outlet, keyed alike with two keys (identical locks and keys)
- cover closes completely, even when patch cables are plugged in
- for two individual modules in Modul design (not suitable for OpDAT modules)
- ball-impact resistant according to DIN 18032
- can be operated with standard patch cables
- clearly visible label window
- bottom section of housing can be turned 180°, with cable feed possible from top and bottom
- with space to install the required spare cable lengths
- gray

## Modul IP44SG surface mounted housing unequipped

P/N

1309460003-I

EAN 4250184117162

2023/04/24

Version: T

### Technical Data

#### General Data

Fields of application	office areas
Mechanical measurement according to MICE	M1
Ingress measurement according to MICE	I1
Climatic measurement according to MICE	C1
Electromagnetic measurement according to MICE	E3
Design	wall outlet
Mounting style	AP
Color	gray
Dimensions	
Dimension (L x W x H)	90 mm x 90 mm x 93 mm
Dimension (L x W x H)	3.543 in. x 3.543 in. x 3.661 in.
Modularity	yes
Labeling option	label window with identification label

#### Connections/interfaces

Number of ports interface 2	2
Number of ports interface 2 equipped	0
Cable access/outlet	90° from the top or bottom

#### Mechanical data

Cut-out	module
---------	--------

#### Materials and material properties

Halogen free	yes
RoHS	compliant

#### Environmental conditions

Particulate ingress	IP4X when closed
Liquid ingress/immersion	IPX4 when closed

# P | Cabling

Data sheet

Page 3/6

## Modul IP44SG surface mounted housing unequipped

P/N

1309460003-I

EAN 4250184117162

2023/04/24

Version: T

### Technical Data

#### Classifications

ETIM 5.0	EC001264
ETIM 6.0	EC001264
ETIM 7.0	EC001264
ETIM 8.0	EC001264
ETIM 9.0	EC001264

#### Packing details

Type of packaging	5 pc(s) / box
Packaging unit - Weight (gram)	1326 g
Packaging unit - Weight (pound)	2.92 lb
Packaging dimension	310 mm x 262 mm x 122 mm
Packaging dimension	12.205 in. x 10.315 in. x 4.803 in.



# P | Cabling

Data sheet

Page 4/6

## Modul IP44SG surface mounted housing unequipped

P/N

1309460003-I

EAN 4250184117162

2023/04/24

Version: T

### Accessories

P/N	Designation
130910-I	E-DAT modul Cat.6 <sub>A</sub> 8(8) jack, T568A
130910-I-B1	E-DAT modul Cat.6 <sub>A</sub> 8(8) jack, T568B
130910-Z	E-DAT modul Cat.6 <sub>A</sub> 8(8) jack, T568A (12 pcs)
130944V203-E	Cable gland M25 2x8
1309A0-I	E-DAT modul coupler 8(8) 180° class E <sub>A</sub>
130B11-E	C6 <sub>A</sub> modul 180° jack



# P | Cabling

Data sheet

Page 5/6

## Modul IP44SG surface mounted housing unequipped

P/N

1309460003-I

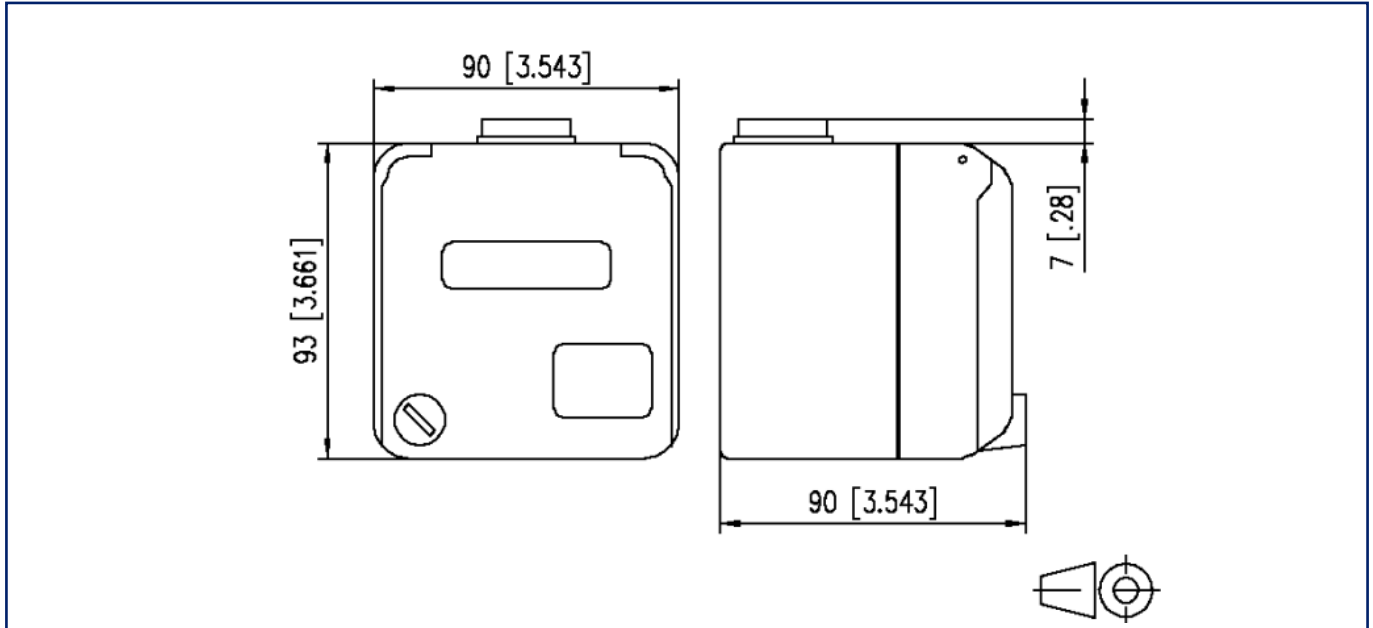
EAN 4250184117162

2023/04/24

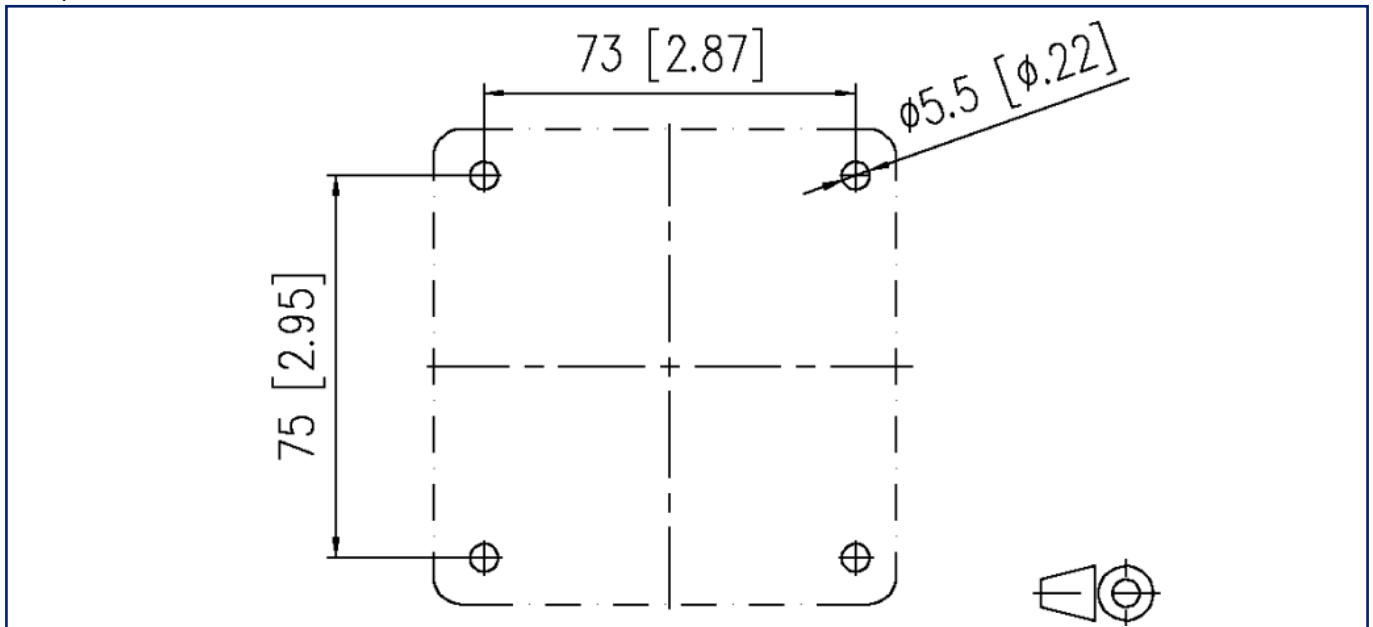
Version: T

### Illustrations

Dimensional drawing



Drill pattern



# P | Cabling

Data sheet

Page 6/6

## Modul IP44SG surface mounted housing unequipped

P/N

1309460003-I

EAN 4250184117162

2023/04/24

Version: T

### Illustrations

Cut-out

