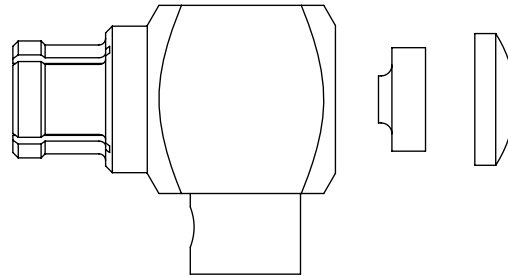
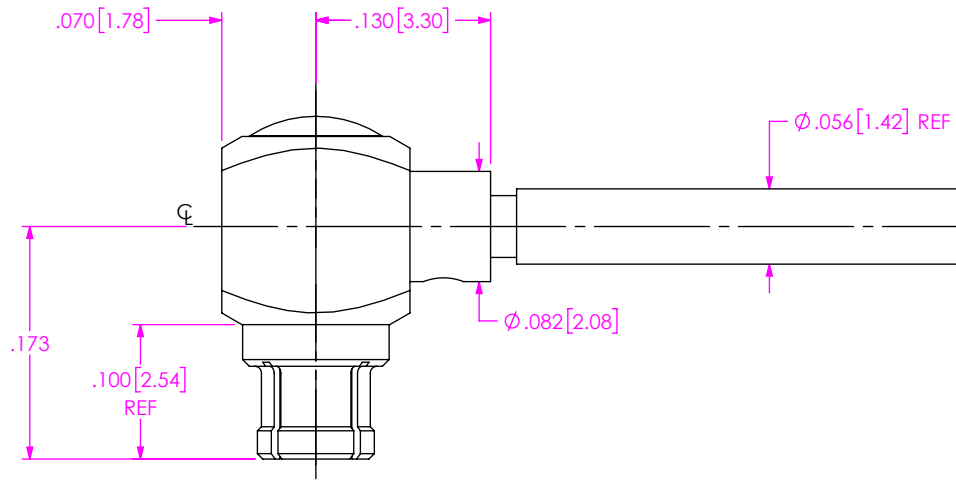


DESIGNED & DIMENSIONED
IN INCHES[MILLIMETERS]

DO NOT
SCALE FROM
THIS PRINT



EXPLODED VIEW
NOT TO SCALE
(FOR CLARITY ONLY)

PRFM0-J-C-EE-047A-RD

SERIES
-M0: SMPM

GENDER
-J: JACKET

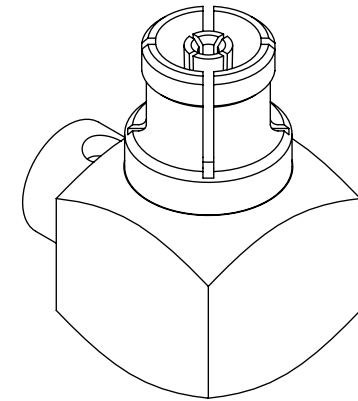
COMPONENT
-C: CONTACT

TERMINATION
D: DIRECT SOLDER

ORIENTATION
RD: RIGHT ANGLE

CABLE TYPE
-047A: TEMP FLEX 1000671047

FINISH
-EE: 50 EXTRA HEAVY GOLD
CENTER CONTACT, 50"
HEAVY GOLD OUTER
CONTACT



NOTES:

- MATERIAL:
BODY, CONTACT: BERYLLIUM COPPER
END CAP: BRASS ALLOY
INSULATOR: PTFE
BEAD: PEI
- FINISH:
BODY, CONTACT, END CAP: 50µ" MIN. GOLD OVER 50µ" MIN. NICKEL PLATE
- PCI P/N: 3816

UNLESS OTHERWISE SPECIFIED,
DIMENSIONS ARE IN INCHES.
TOLERANCES ARE:
DECIMALS ANGLES
.XX: ±.01 [0.3] 1°
.XXX: ±.005 [0.13]
.XXXX: ±.0005 [0.013]

PROPRIETARY NOTE
THIS DOCUMENT CONTAINS CONFIDENTIAL AND
PROPRIETARY INFORMATION AND ALL DESIGN,
MANUFACTURING, REPRODUCTION, USE, PATENT RIGHTS
AND SALES RIGHTS ARE EXPRESSLY RESERVED BY SAMTEC,
INC. THIS DOCUMENT SHALL NOT BE DISCLOSED, IN WHOLE
OR PART, TO ANY UNAUTHORIZED PERSON OR ENTITY NOR
REPRODUCED, TRANSFERRED OR INCORPORATED IN ANY
OTHER PROJECT IN ANY MANNER WITHOUT THE EXPRESS
WRITTEN CONSENT OF SAMTEC, INC.



520 PARK EAST BLVD, NEW ALBANY, IN 47150
PHONE: 812-944-6733 FAX: 812-948-5047
e-Mail info@SAMTEC.com code 55322

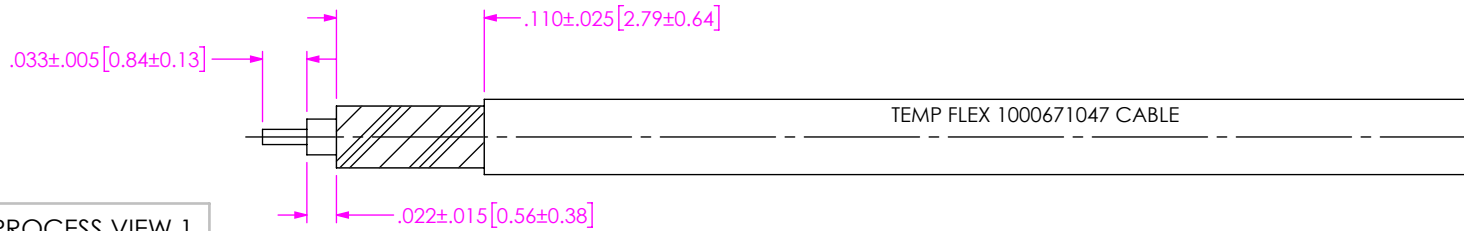
DO NOT SCALE DRAWING

SHEET SCALE: 7:1

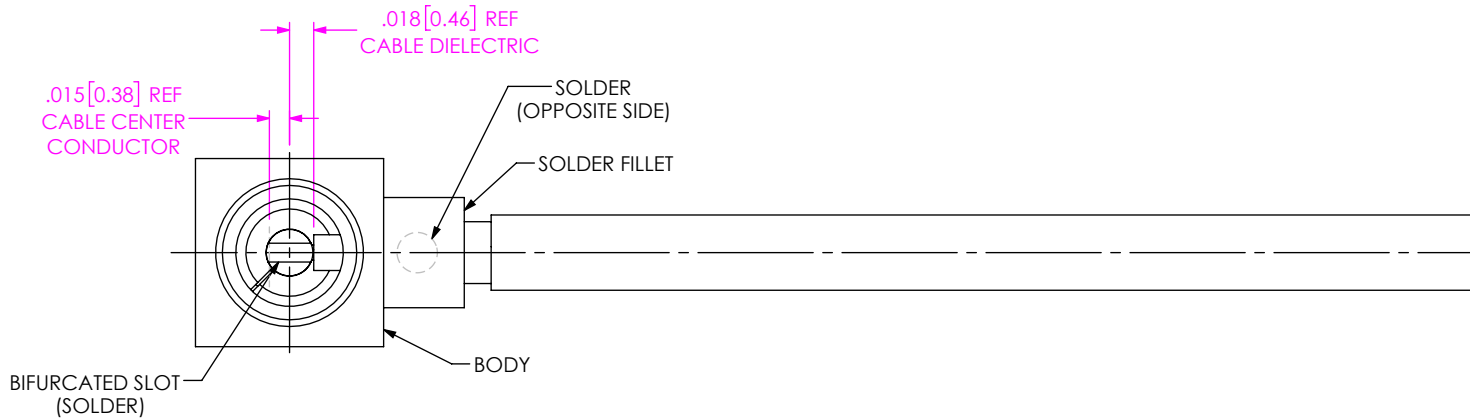
DESCRIPTION: SMPM SOCKET, MITER RT. ANGLE, DIRECT
SOLDER FOR TEMP FLEX 1000671047 CABLE

DWG. NO. PRFM0-J-C-EE-047A-RD

BY: JESUS M 4/6/2019 SHEET 1 OF 2



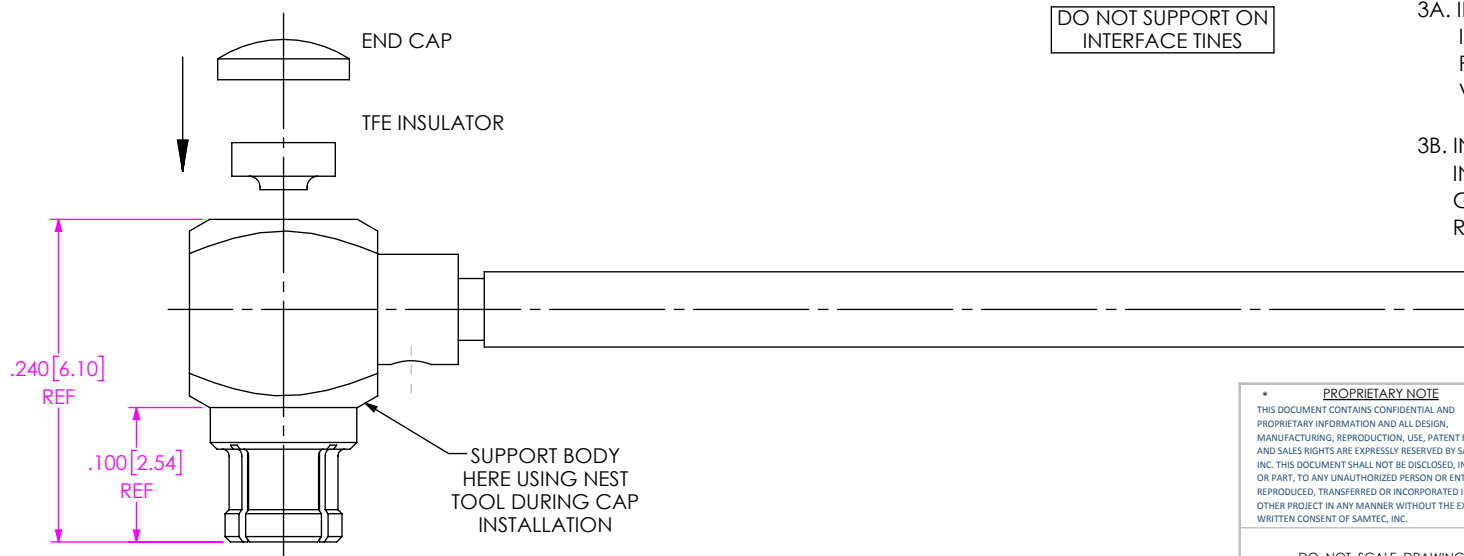
IN-PROCESS VIEW 1



- 2A. INSERT CABLE INTO BODY UNTIL DIELECTRIC CORE STOPS AGAINST CONTACT. SOLDER CABLE BRAIDS TO BODY WHERE SHOWN.
- 2B. SOLDER CABLE CENTER CONDUCTOR TO CONTACT SLOT COMPLETELY FILLING SLOT BUT MINIMIZING EXCESS FLOW ONTO CONTACT OUTER SURFACE.

DO NOT CROWN SOLDER ON TOP OF CONTACT

IN-PROCESS VIEW 2



DO NOT SUPPORT ON INTERFACE TINES

- 3A. INSTALL TFE INSULATOR AND END CAP IN ORIENTATION SHOWN INTO BODY AND PRESS CAP FLUSH TO BODY USING A FLAT TOOL OR VICE WITH BODY NESTED IN PCI TOOL NO. 450318.
- 3B. INSPECT CONNECTOR CONTACT INTERFACE RECESSION USING AN APPROPRIATE GAGE. CONTACT TO BE .001/.004 SUB-FLUSH WITH REF. PLANE.

IN-PROCESS VIEW 3

PROPRIETARY NOTE
 THIS DOCUMENT CONTAINS CONFIDENTIAL AND PROPRIETARY INFORMATION AND ALL DESIGN, MANUFACTURING, REPRODUCTION, USE, PATENT RIGHTS AND SALES RIGHTS ARE EXPRESSLY RESERVED BY SAMTEC, INC. THIS DOCUMENT SHALL NOT BE DISCLOSED, IN WHOLE OR PART, TO ANY UNAUTHORIZED PERSON OR ENTITY NOR REPRODUCED, TRANSFERRED OR INCORPORATED IN ANY OTHER PROJECT IN ANY MANNER WITHOUT THE EXPRESS WRITTEN CONSENT OF SAMTEC, INC.



520 PARK EAST BLVD, NEW ALBANY, IN 47150
 PHONE: 812-944-6733 FAX: 812-948-5047
 e-Mail info@SAMTEC.com code 55322

DO NOT SCALE DRAWING

SHEET SCALE: 7:1

DESCRIPTION: SMPM SOCKET, MITER RT. ANGLE, DIRECT SOLDER FOR TEMP-FLEX 047SC-2901 CABLE

DWG. NO. **PRFM0-J-C-EE-047A-RD**

BY: JESUS M 4/6/2019 SHEET 2 OF 2