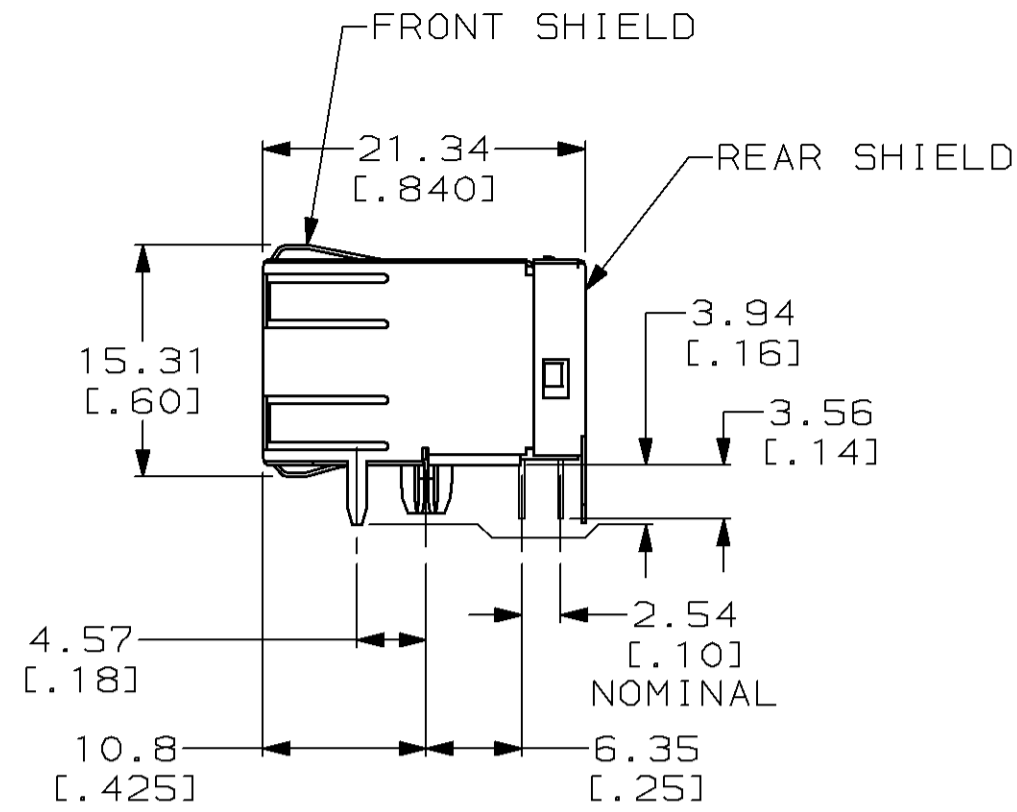
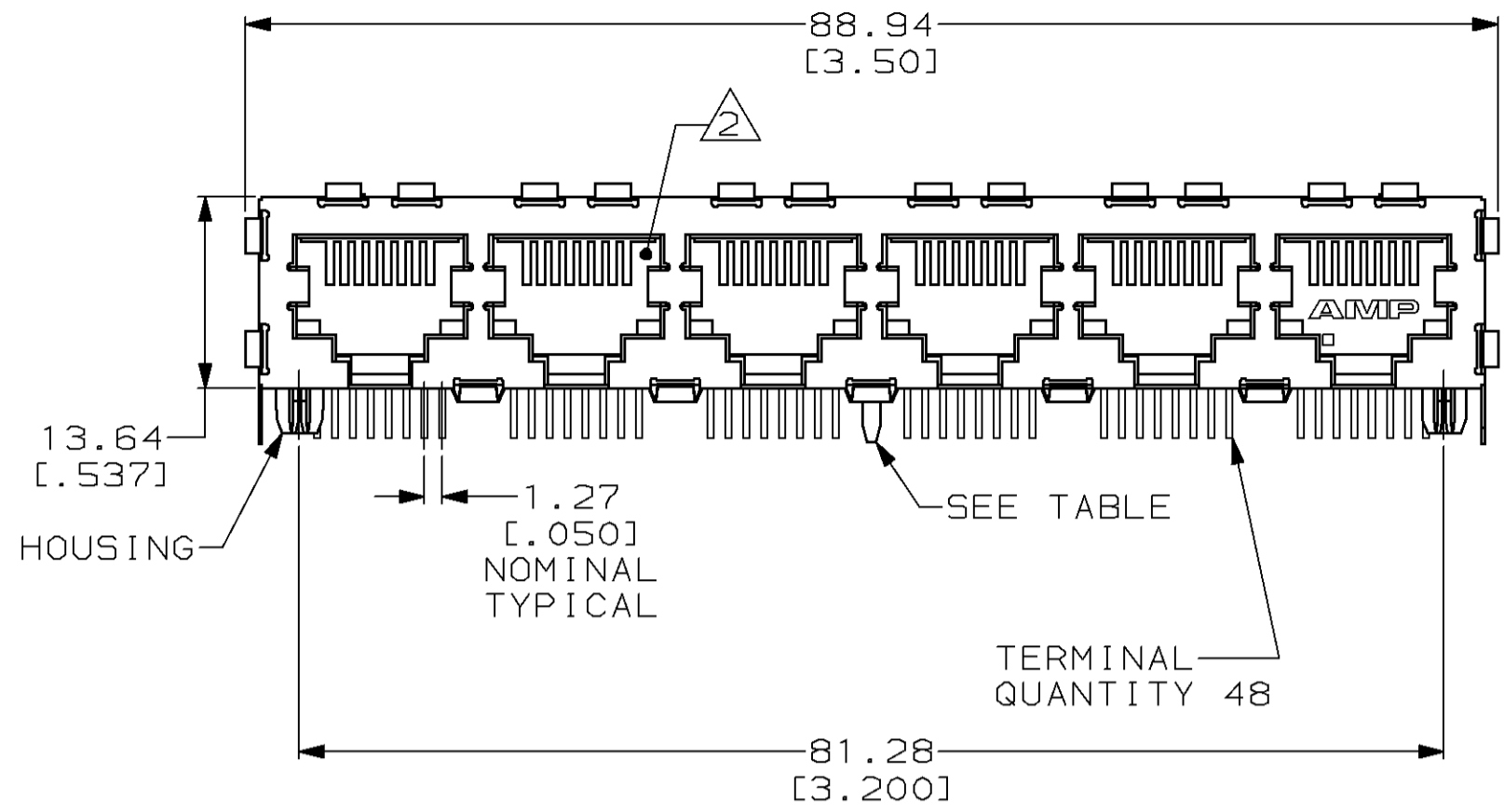
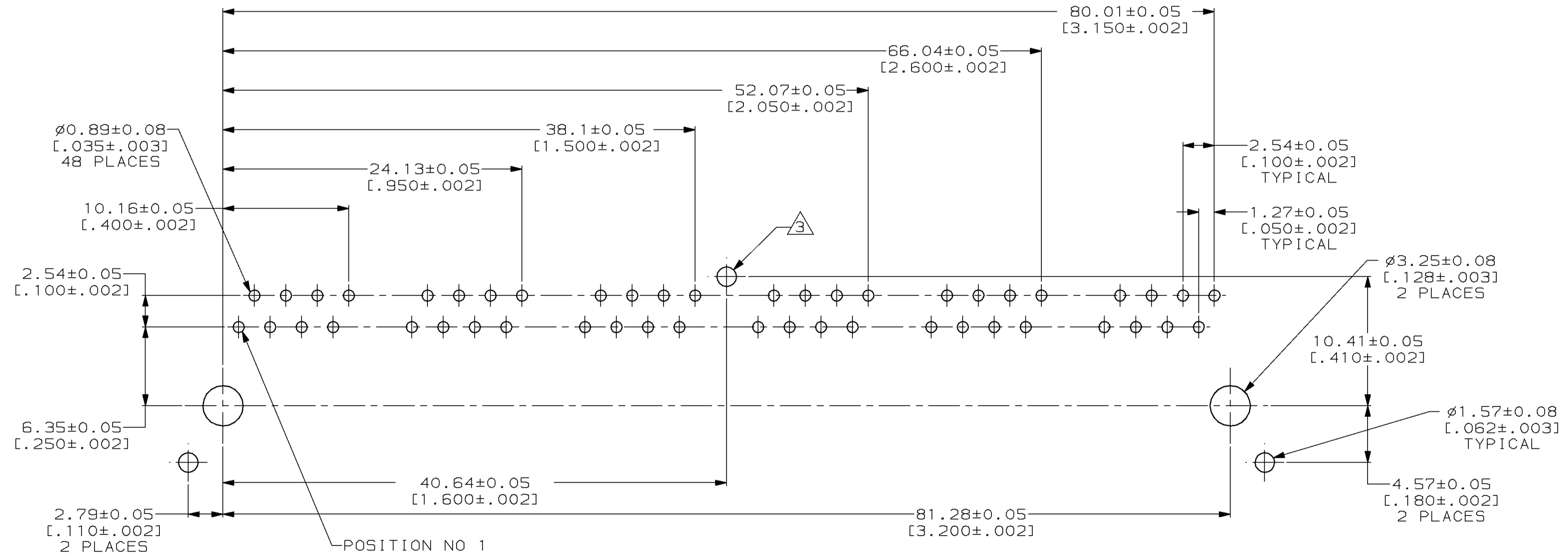


THIS DRAWING IS UNPUBLISHED. RELEASED FOR PUBLICATION
 © COPYRIGHT 19 BY AMP INCORPORATED. ALL RIGHTS RESERVED.

Loc		DIST		REVISIONS			
P	LTR	DESCRIPTION		DATE	DWN	APVD	
AA	22	0	RLSD, NPR C96-245	070CT96	TCS	CW	



- ① MATERIAL:
 HOUSING - NYLON, IR COMPATIBLE, BLACK, UL 94V-0.
 TERMINALS - 0.33[.013] THICK PHOS BRONZE PLATED WITH 1.27µm[.000050] MINIMUM HARD GOLD IN LOCALIZED AREA AND 3.81µm[.000150] MINIMUM TIN-LEAD IN SOLDER AREA OVER 1.27µm[.000050] MINIMUM NICKEL UNDERPLATE.
 SHIELD - 0.254[.010] THICK COPPER ALLOY PLATED WITH 2.03µm[.000080] MINIMUM TIN-LEAD OVER 2.54µm[.000100] MINIMUM COPPER.
- ② JACK CAVITY CONFORMS TO FCC RULES AND REGULATIONS, PART 68 SUBPART F.
- ③ THIS HOLE IS REQUIRED FOR -2 ONLY.



SUGGESTED PC BOARD LAYOUT
 COMPONENT SIDE (TOP)
 SCALE 4:1

1	406205-2
NONE	406205-1
NO. OF REAR TABS	PART NO.

THIS DRAWING IS A CONTROLLED DOCUMENT FOR AMP INCORPORATED. IT IS SUBJECT TO CHANGE AND THE CONTROLLING ENGINEERING ORGANIZATION SHOULD BE CONTACTED FOR THE LATEST REVISION.		DWN T. SPRINKLE 070CT96	AMP AMP Incorporated Harrisburg, PA 17105-3608
DIMENSIONS: mm [INCHES]		CHK C. WHITT 170EC96	
TOLERANCES UNLESS OTHERWISE SPECIFIED:		APVD J. TONEY 170EC96	NAME MODULAR JACK ASSEMBLY, 6 PORT, 8 POSITION, SHIELDED, REVERSE PANEL GROUND TABS, CATEGORY 4
0 PLC ±- 1 PLC ±- 2 PLC ±0.25[.01] 3 PLC ±0.13[.005] 4 PLC ±- ANGLES ±- FINISH ±-		PRODUCT SPEC APPLICATION SPEC	
MATERIAL ①		WEIGHT -	SIZE A2
		CUSTOMER DRAWING	CAGE CODE 00779
			DRAWING NO. C-406205
			SCALE 2:1 SHEET 1 OF 1 REV 0