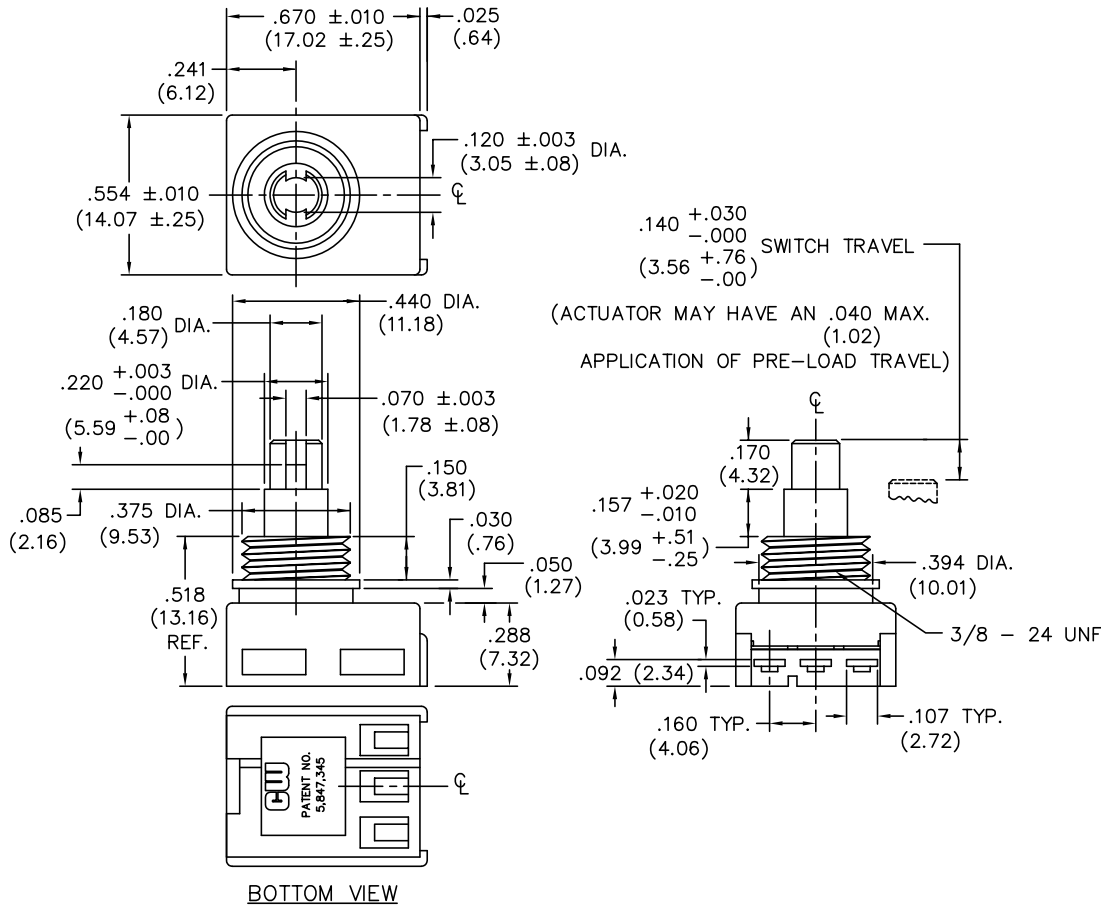


DIMENSIONS IN INCHES (MILLIMETERS)
DO NOT SCALE DRAWING

Dwg. No.
GC-536A-0105



TERMINATION - Switch mates with CW wire crimp terminal part no. G-20-217. Terminals insert & lock into slots shown on base of switch. Terminal can accept single 18 AWG. or Double Terminated 24 AWG. Wire Leads.

FORM-B3

REVISIONS

1 2 3 4 5 6 7 8 9 10

THIS INFORMATION IS CONFIDENTIAL AND PROPRIETARY TO CW INDUSTRIES INCORPORATED AND ITS AFFILIATES. IT MAY NOT BE DISCLOSED TO ANYONE, OTHER THAN CW INDUSTRIES PERSONNEL, WITHOUT WRITTEN AUTHORIZATION FROM CW INDUSTRIES INCORPORATED, SOUTHAMPTON, PENNSYLVANIA USA.

CW INDUSTRIES
Southampton, Pa. 18966

TOLERANCES UNLESS OTHERWISE SPECIFIED
2 Place Decimal $\pm .010$ METRIC
3 Place Decimal $\pm .005$ 1 Place Dec. $\pm .25$ mm
Angles $\pm 1^\circ$ 2 Place Dec. $\pm .13$ mm

Made for: CW IND.
Drawn by: DGW 11-17-2010
Checked by: G. Guld 11-18-10
Approval: EJP 11/19/10

Title: SWITCH ASSEMBLY
PUSH ON - PUSH OFF
S.P.D.T.
W/CUSTOM KNOB

Division: SWITCH
Dwg. No. GC-536A-0105