

THIS DRAWING IS UNPUBLISHED.

RELEASED FOR PUBLICATION

20

LOC

DIST

REVISIONS

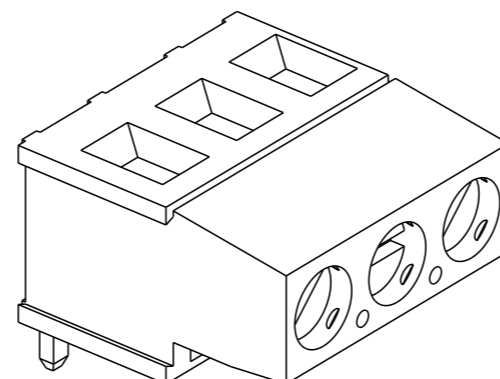
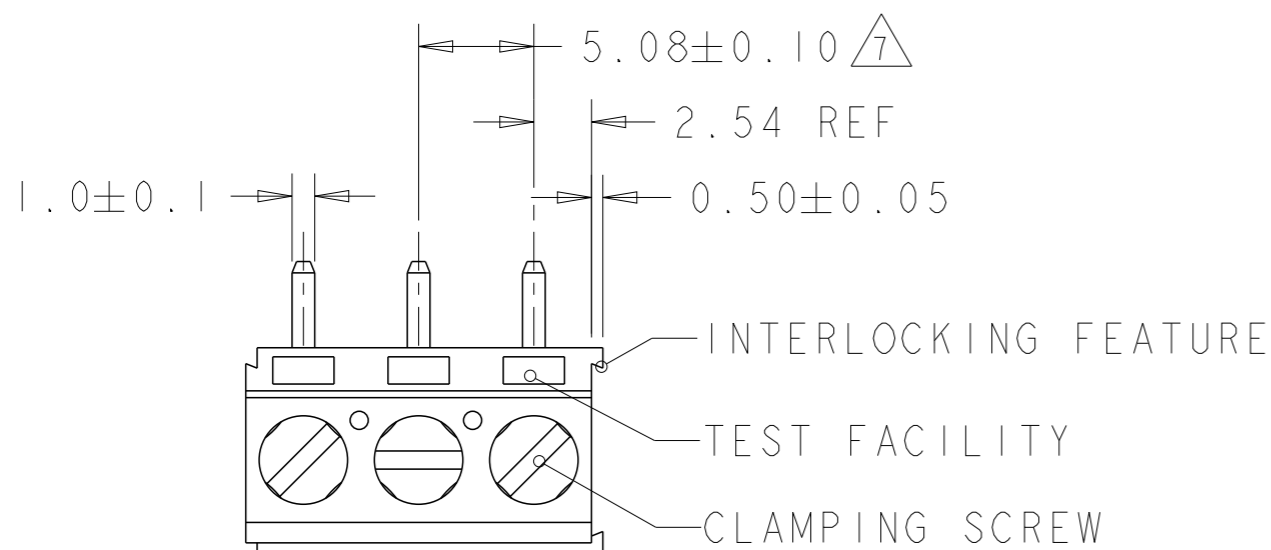
© COPYRIGHT 20

ALL RIGHTS RESERVED.

FT

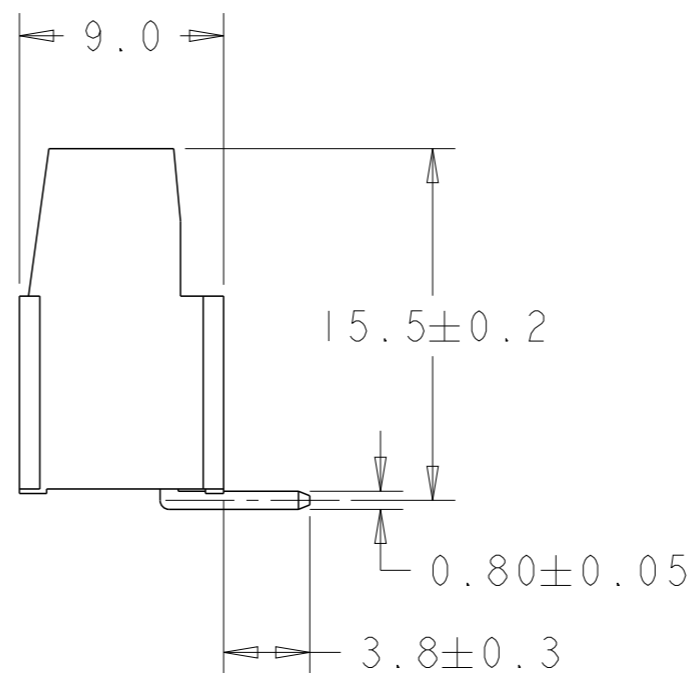
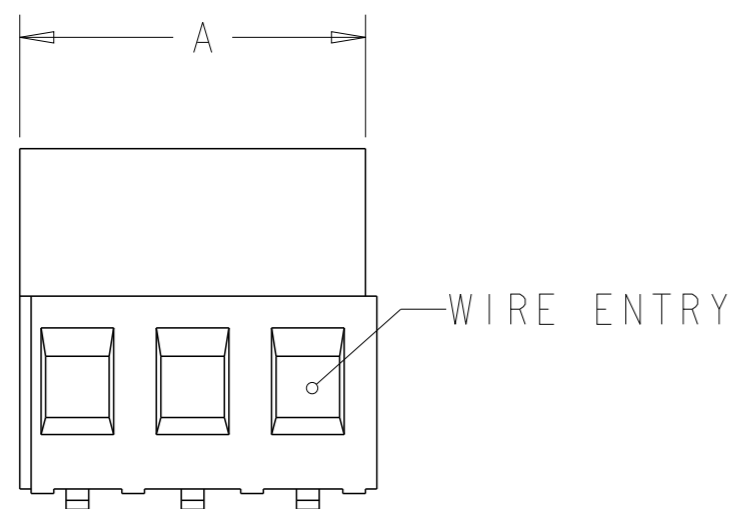
0

P	LTR	DESCRIPTION	DATE	DWN	APVD
	C3	UL APPROVED CURRENT RATING	06APR2018	RK	PS

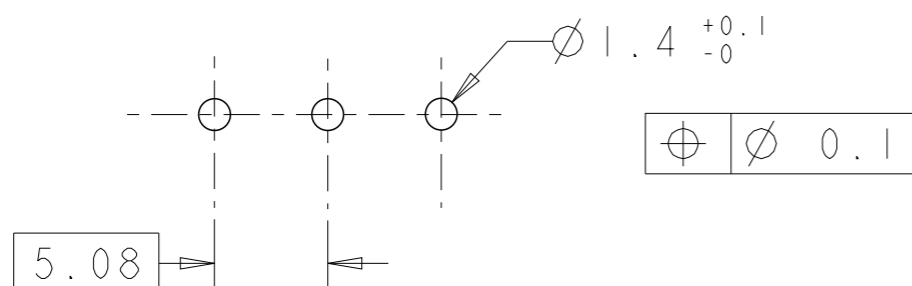


282851-3 AS SHOWN

	DIM A	No OF POS	PART NUMBER
	127.00	25	2-282851-5
	121.92	24	2-282851-4
	116.84	23	2-282851-3
	111.76	22	2-282851-2
	106.68	21	2-282851-1
	101.60	20	2-282851-0
OBSOLETE	96.52	19	1-282851-9
	91.44	18	1-282851-8
	86.36	17	1-282851-7
	81.28	16	1-282851-6
	76.20	15	1-282851-5
	71.12	14	1-282851-4
	66.04	13	1-282851-3
	60.96	12	1-282851-2
OBSOLETE	55.88	11	1-282851-1
	50.80	10	1-282851-0
OBSOLETE	45.72	9	282851-9
	40.64	8	282851-8
OBSOLETE	35.56	7	282851-7
	30.48	6	282851-6
	25.40	5	282851-5
	20.32	4	282851-4
	15.24	3	282851-3
	10.16	2	282851-2
	DIM A	No OF POS	PART NUMBER



RECOMMENDED PCB LAYOUT



THIS DRAWING IS A CONTROLLED DOCUMENT.

DIMENSIONS: mm

TOLERANCES UNLESS OTHERWISE SPECIFIED:

- 0 PLC ±-
- 1 PLC ±.3
- 2 PLC ±.25
- 3 PLC ±-
- 4 PLC ±-
- ANGLES ±2

MATERIAL

FINISH

DWN 20AUG2001

E. ZANOLINI

CHK 20AUG2001

D. BIEVENOUR

APVD 20AUG2001

D. BIEVENOUR

PRODUCT SPEC

108-20166

APPLICATION SPEC

114-20079

WEIGHT

-

CUSTOMER DRAWING



TE Connectivity

NAME: TERMINAL BLOCK PCB MOUNT TOP ENTRY WIRE, STACKING W/INTERLOCK, 5.08mm PITCH

SIZE: A3 CAGE CODE: 00779 DRAWING NO: C-282851 RESTRICTED TO: -

SCALE: 3:1 SHEET: 1 OF 2 REV: C3

THIS DRAWING IS UNPUBLISHED.

RELEASED FOR PUBLICATION 20

© COPYRIGHT 20

ALL RIGHTS RESERVED.

LOC	DIST	REVISIONS					
FT	0	P	LTR	DESCRIPTION	DATE	DWN	APVD
			-	SEE SHEET 1	-	-	-

NOTES:



MATERIALS AND FINISH
 HOUSING: PA 6-6, UL 94-V0, COLOR GREEN.
 CLAMP: BRASS, NICKEL PLATED.
 TERMINAL: BRASS, TIN PLATED.
 CLAMPING SCREW: M3, BRASS, NICKEL PLATED.

2

MECHANICAL PROPERTIES
 MIN. PC BOARD HOLES DIAMETER : 1,4mm
 MAX. PC BOARD THICKNESS : 2,4mm.
 WIRE STRIPPING LENGTH : 5.5-6.5 mm
 RECOMMENDED TIGHTENING TORQUE: 0,5 Nm.

3

END-TO-END STACKABLE W/INTERLOCK WITHOUT LOSS OF CENTERLINE SPACING.

4

ELECTRICAL PROPERTIES
 WIRE RANGE:
 - SOLID WIRE : 0,05-2,5mm² (12-30 AWG).
 - STRANDED WIRE : 0,05-2,5mm² (12-30 AWG).
 MAX. VOLTAGE : 300 V
 MAX CURRENT : 17.5 A
 CONTACT RESISTANCE : <15 m Ohm
 INSULATION RESISTANCE : >1000 M Ohm (500V DC)

5


RECOGNIZED UNDER THE COMPONENT PROGRAM OF UNDERWRITERS LABORATORIES INC. FILE NO E60677.

6

OPERATING TEMPERATURE RANGE: -40°C TO +110°C



NOT CUMULATIVE TOLERANCE.

THIS DRAWING IS A CONTROLLED DOCUMENT.		DWN E. ZANOLINI 20AUG2001	 TE Connectivity	
DIMENSIONS: mm		CHK D. BIEVENOUR 20AUG2001		
TOLERANCES UNLESS OTHERWISE SPECIFIED:		APVD D. BIEVENOUR 20AUG2001	NAME TERMINAL BLOCK PCB MOUNT TOP ENTRY WIRE, STACKING W/INTERLOCK, 5.08mm PITCH	
0 PLC ± 1 PLC ±.3 2 PLC ±.25 3 PLC ± 4 PLC ± ANGLES ±2		PRODUCT SPEC 108-20166	RESTRICTED TO	
MATERIAL		APPLICATION SPEC 114-20079	SIZE A3	CAGE CODE 00779
FINISH		WEIGHT -	DRAWING NO C-282851	SCALE 3:1
CUSTOMER DRAWING			SHEET 2	OF 2
			REV C3	